

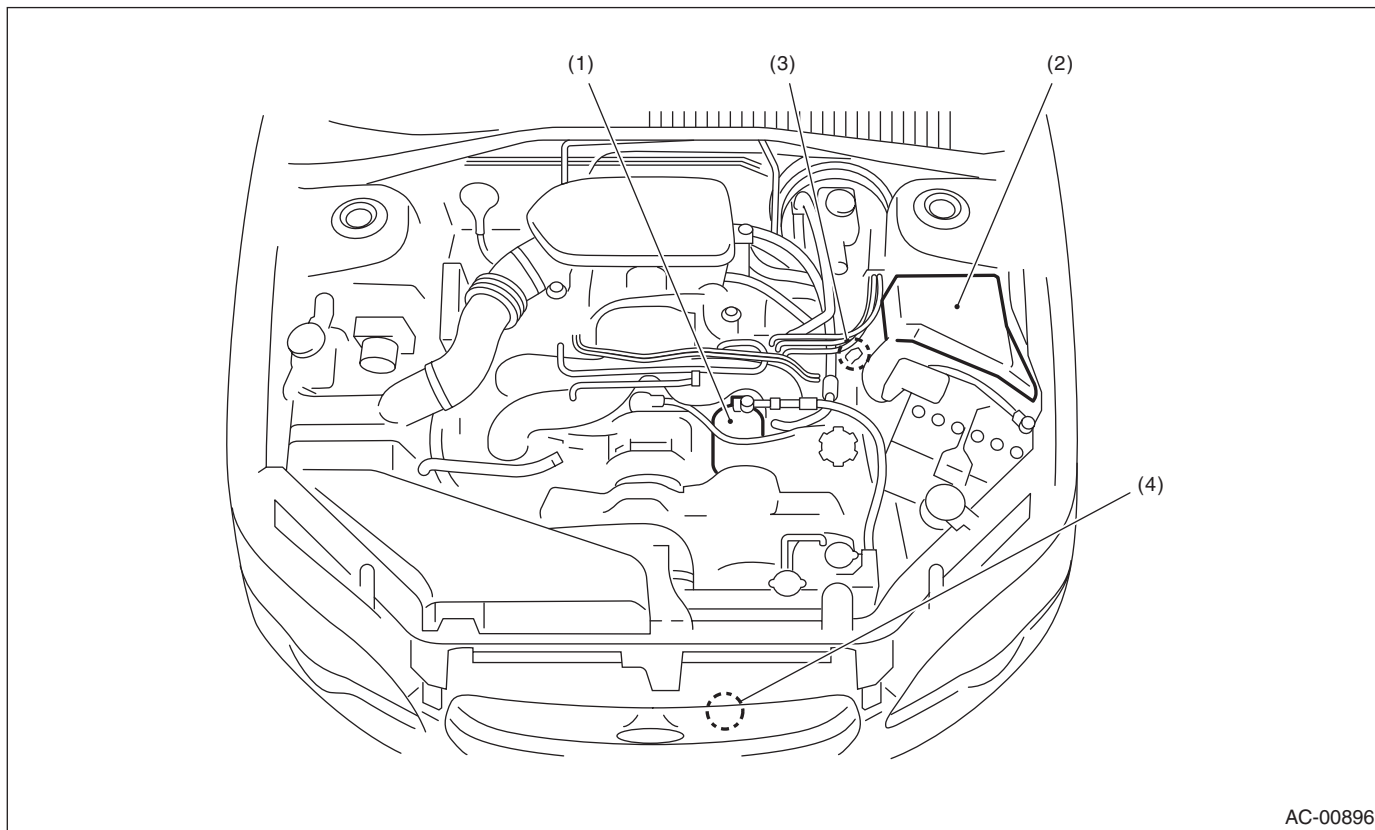
# Electrical Component Location

HVAC SYSTEM (AUTO A/C) (DIAGNOSTICS)

## 3. Electrical Component Location

### A: LOCATION

#### 1. ENGINE COMPARTMENT

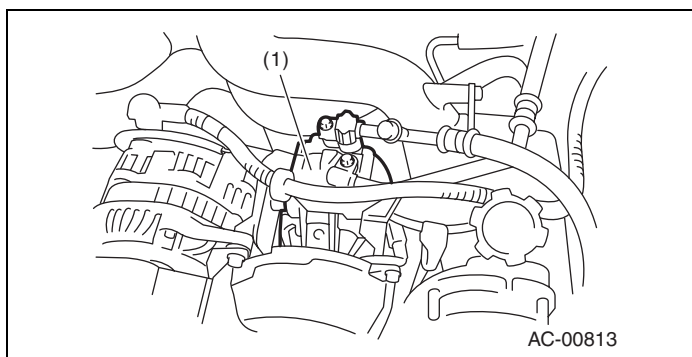


AC-00896

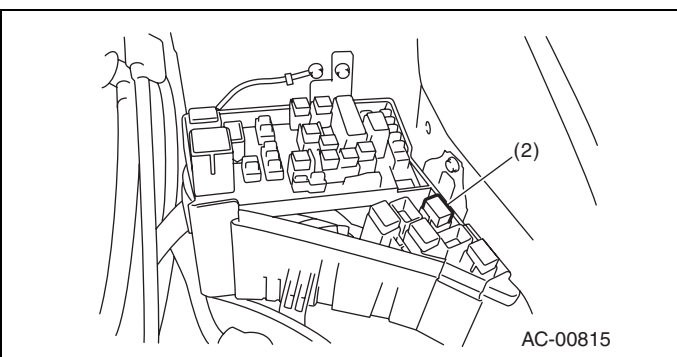
(1) A/C compressor  
(2) A/C relay

(3) Pressure switch

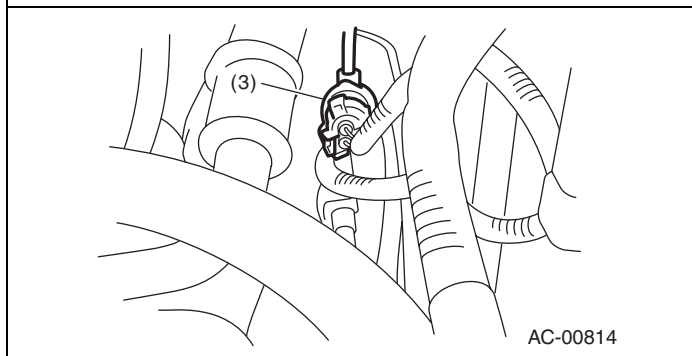
(4) Ambient sensor



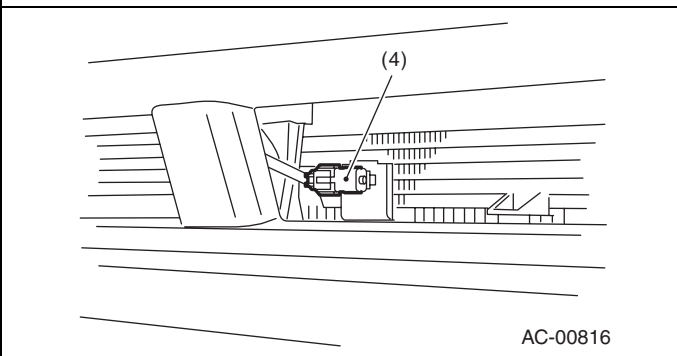
AC-00813



AC-00815



AC-00814

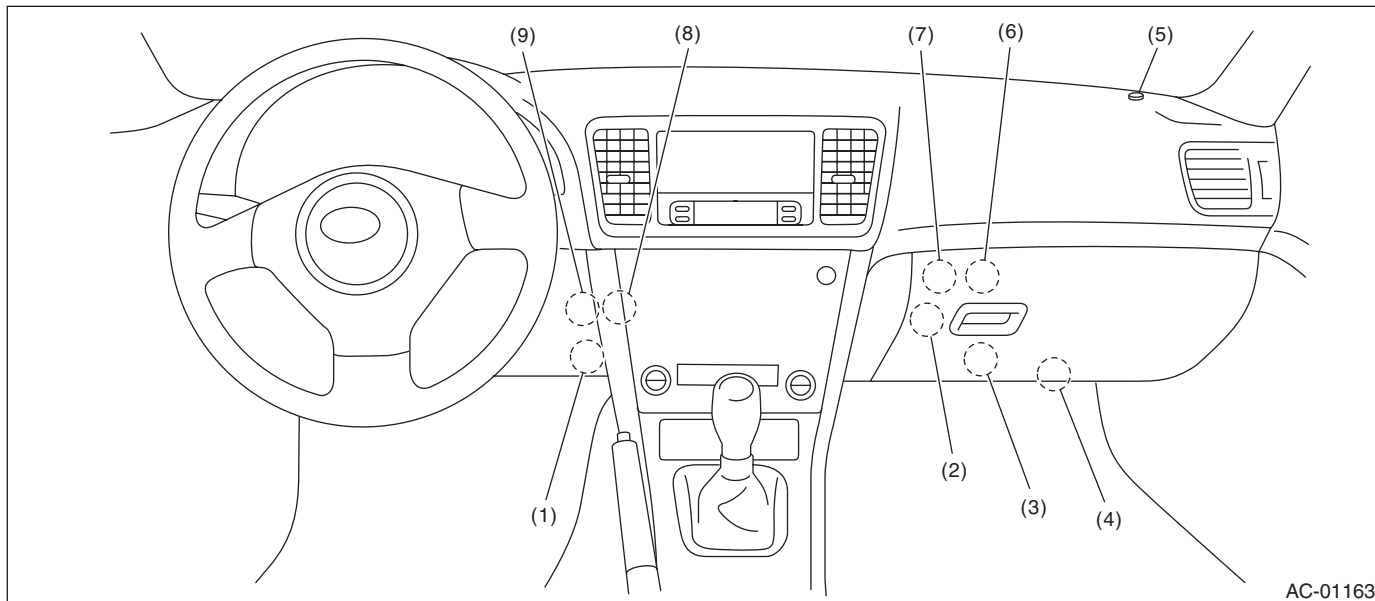


AC-00816

# Electrical Component Location

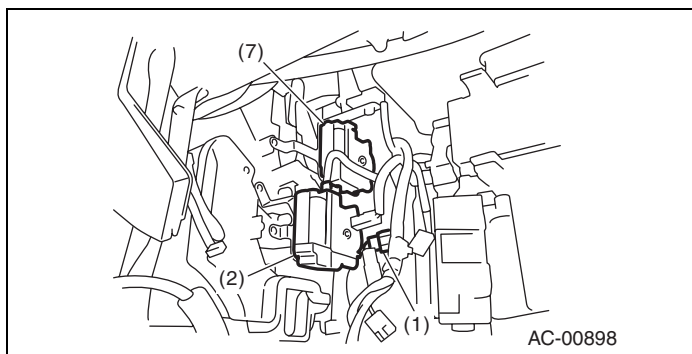
## HVAC SYSTEM (AUTO A/C) (DIAGNOSTICS)

### 2. PASSENGER COMPARTMENT

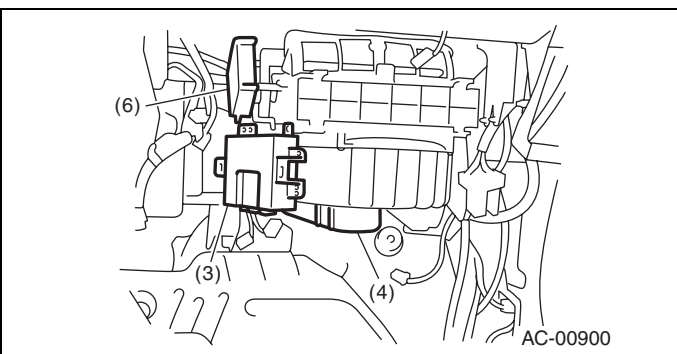


AC-01163

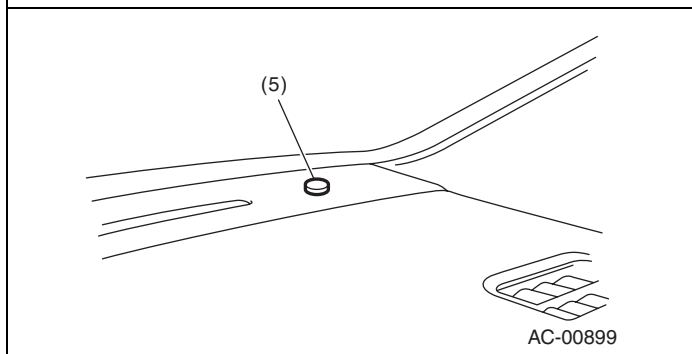
- |  |                          |   |
|--|--------------------------|---|
| (1) Evaporator sensor                      | (4) Blower motor         | (7) Mode door actuator                  |
| (2) Passenger's side air mix door actuator | (5) Sunload sensor       | (8) In-vehicle sensor                   |
| (3) Auto A/C control module                | (6) Intake door actuator | (9) Driver's side air mix door actuator |



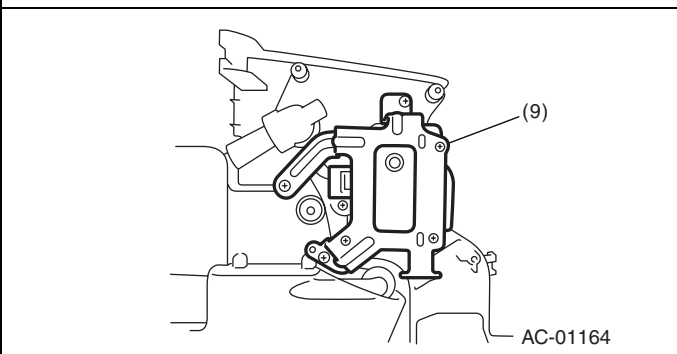
AC-00898



AC-00900



AC-00899



AC-01164