

Control Panel (Auto A/C Model)

HVAC SYSTEM (HEATER, VENTILATOR AND A/C)

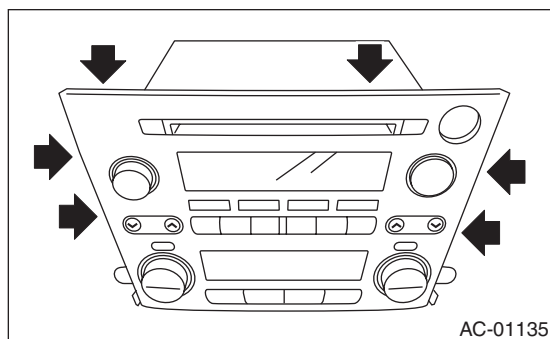
12. Control Panel (Auto A/C Model)

A: REMOVAL

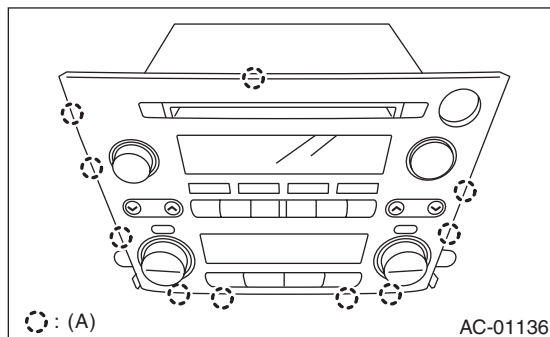
- 1) Remove the audio assembly. <Ref. to ET-8, REMOVAL, Audio.>
- 2) Remove the six screws.

NOTE:

When working with the removed audio assembly with its back facing down, place wooden blocks between the audio assembly and the workbench to prevent the ground terminal from folding.



- 3) Use a fine flat tip screwdriver to lift the hooks in 10 locations gradually. Starting from the sides, proceed to loosen the lower hooks, then the upper hooks, then remove.



- 4) Pull the panel straight out to remove.

CAUTION:

Be careful not to touch the circuitboard of the panel to prevent damage by static electricity.

B: INSTALLATION

- 1) After attaching the hooks, push the center of the panel by hand and secure the connection between the circuitboard and the connector.
- 2) Install in the reverse order of removal.