

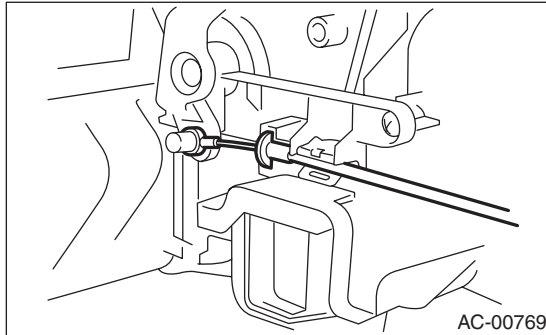
Control Unit (Manual A/C Model)

HVAC SYSTEM (HEATER, VENTILATOR AND A/C)

13. Control Unit (Manual A/C Model)

A: REMOVAL

- 1) Disconnect the ground cable from battery.
- 2) Remove the instrument panel lower cover. <Ref. to EI-50, REMOVAL, Instrument Panel Lower Cover.>
- 3) Remove the control wires.



- 4) Remove the audio assembly. <Ref. to ET-8, REMOVAL, Audio.>
- 5) Loosen the screw to remove the control unit from the bracket.

B: INSTALLATION

Install in the reverse order of removal.