

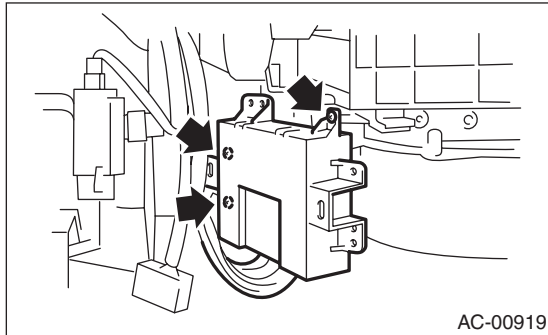
Control Unit (Auto A/C Model)

HVAC SYSTEM (HEATER, VENTILATOR AND A/C)

14. Control Unit (Auto A/C Model)

A: REMOVAL

- 1) Disconnect the ground cable from battery.
- 2) Remove the glove box. <Ref. to EI-51, REMOVAL, Glove Box.>
- 3) Remove the screw, disconnect the connector and remove the control unit.



B: INSTALLATION

Install in the reverse order of removal.