

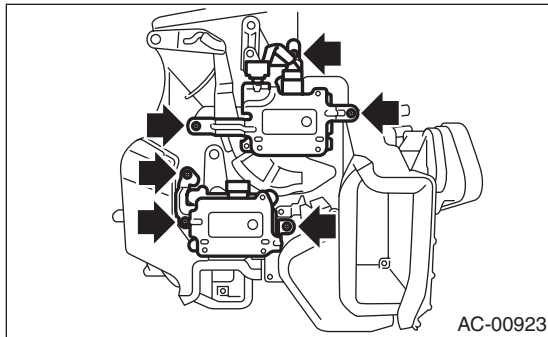
# Evaporator

HVAC SYSTEM (HEATER, VENTILATOR AND A/C)

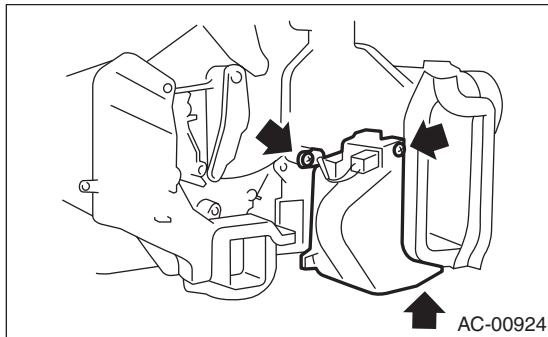
## 18. Evaporator

### A: REMOVAL

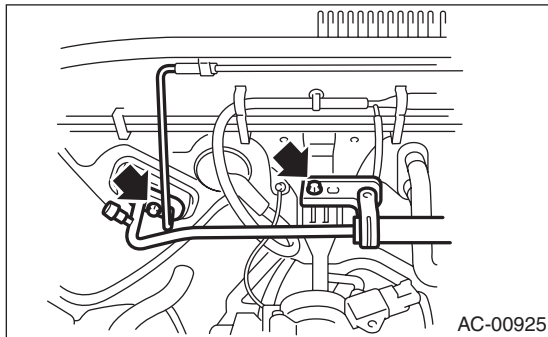
- 1) Using the refrigerant recovery system, discharge refrigerant. <Ref. to AC-19, PROCEDURE, Refrigerant Recovery Procedure.>
- 2) Disconnect the ground cable from battery.
- 3) Remove the blower motor unit assembly. <Ref. to AC-25, REMOVAL, Blower Motor Unit Assembly.>
- 4) Disconnect the connector, remove the screw and then remove the air-mix door actuator and mode door actuator.



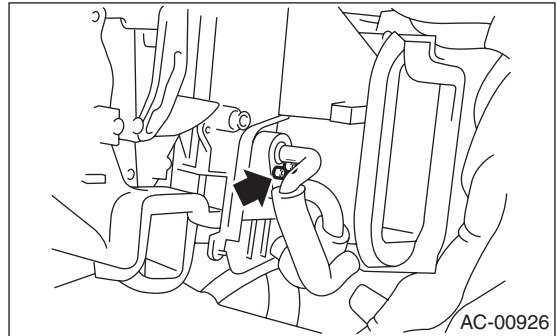
- 5) Disconnect the connector, remove the pipe cover and evaporator sensor.



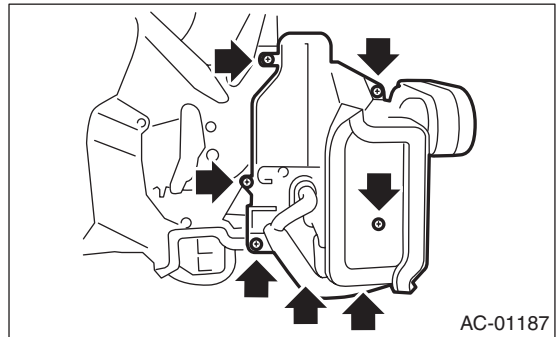
- 6) Remove the bolts securing expansion valve and pipe in engine compartment.



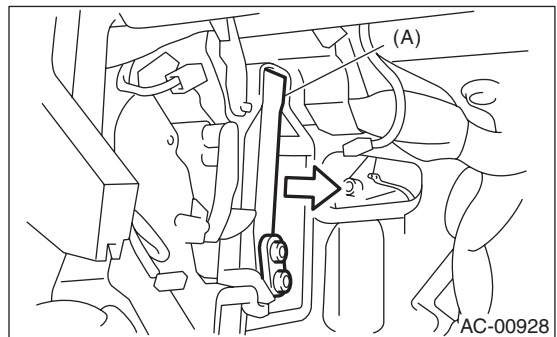
- 7) Remove the bolt which holds the pipe to the evaporator.



- 8) Remove the screws and clip to remove the evaporator cover.



- 9) Pull out the evaporator (A) in the direction of the arrow.



**CAUTION:**  
If the evaporator is replaced, add an appropriate amount of compressor oil to evaporator. <Ref. to AC-24, REPLACEMENT, Compressor Oil.>

### B: INSTALLATION

Install in the reverse order of removal.