

Hose and Tube

HVAC SYSTEM (HEATER, VENTILATOR AND A/C)

19.Hose and Tube

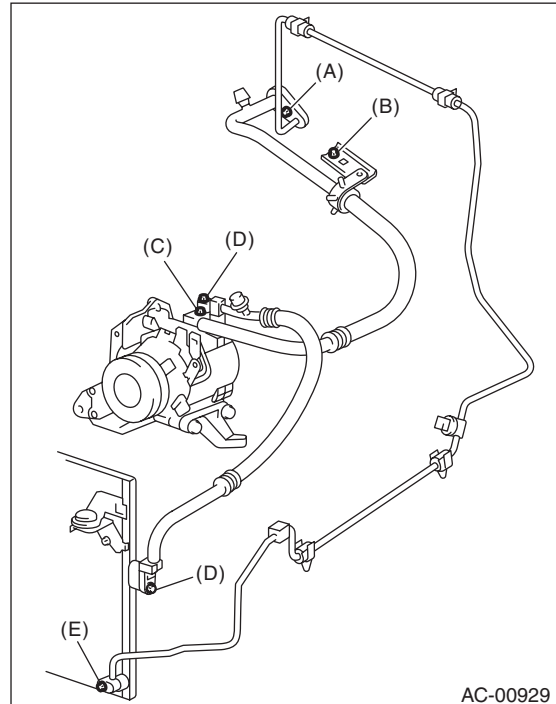
A: REMOVAL

CAUTION:

- When disconnecting/connecting hoses, do not apply an excessive force to them. After installing, check that no torsion or excessive tension applied to the hoses.
- Seal the disconnected hose with a plug or vinyl tape to prevent foreign matter from entering.

- 1) Disconnect the ground cable from battery.
- 2) Using the refrigerant recovery system, discharge refrigerant. <Ref. to AC-19, PROCEDURE, Refrigerant Recovery Procedure.>
- 3) Remove the evaporator unit mounting bolt (A) and low-pressure hose bracket bolt (B).
- 4) Remove the low-pressure hose attaching bolts (C).
- 5) Disconnect the low-pressure hose from evaporator unit.
- 6) Disconnect the low-pressure hose from compressor.
- 7) Remove the low-pressure hose from vehicle.
- 8) Remove the high-pressure hose attaching bolt (D).
- 9) Disconnect the high-pressure hose from compressor.
- 10) Disconnect the high-pressure hose from condenser.
- 11) Remove the high-pressure hose from vehicle.
- 12) Remove the high-pressure tube attaching bolt (E).

- 13) Remove the high-pressure tube from vehicle.



B: INSTALLATION

CAUTION:

- When disconnecting or connecting the hoses, do not apply excessive force. After installing, check that no torsion or excessive tension applied to the hoses.
- Seal the disconnected hose with a plug or vinyl tape to prevent foreign matter from entering.

- 1) Install in the reverse order of removal.
- 2) Charge refrigerant. <Ref. to AC-20, PROCEDURE, Refrigerant Charging Procedure.>

Tightening torque:

Refer to “COMPONENT” of “General Description”. <Ref. to AC-10, AIR CONDITIONING UNIT, COMPONENT, General Description.>

C: INSPECTION

Check the hoses for cracks, damage and expansion. If any fault is found, replace with new parts.