

Actuator

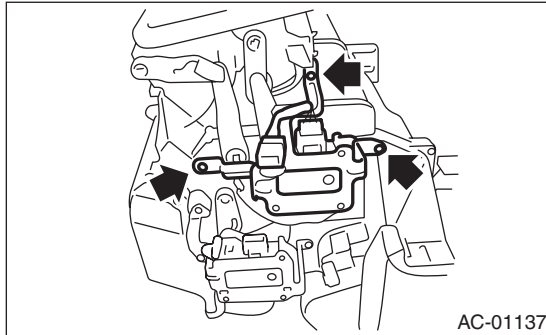
HVAC SYSTEM (HEATER, VENTILATOR AND A/C)

22. Actuator

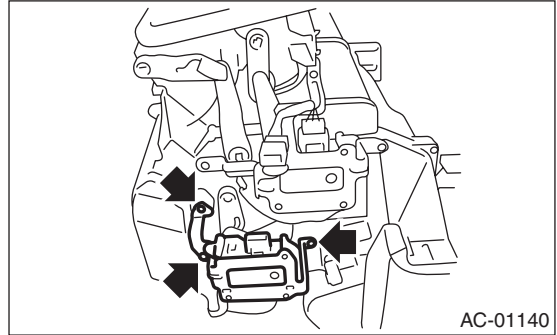
A: REMOVAL

1. MODE DOOR ACTUATOR

Disconnect the connector, remove the screw, and then remove the mode door actuator from the heater and cooling unit.



- Passenger's side

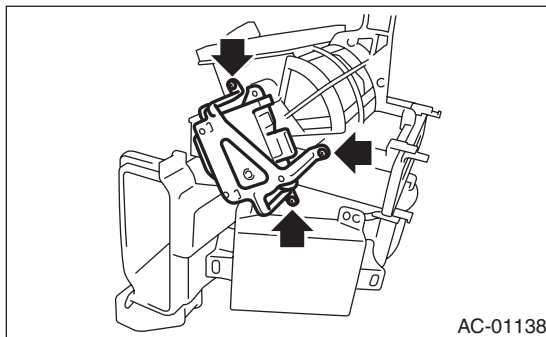


B: INSTALLATION

Install in the reverse order of removal.

2. INTAKE DOOR ACTUATOR

Disconnect the connector, remove the screw, and then remove the intake door actuator from the blower motor unit.



3. AIR MIX DOOR ACTUATOR (AUTO A/C MODEL)

Disconnect the connector, remove the screw, and then remove the air mix door actuator from the heater and cooling unit.

- Driver's side

