

Heater Duct

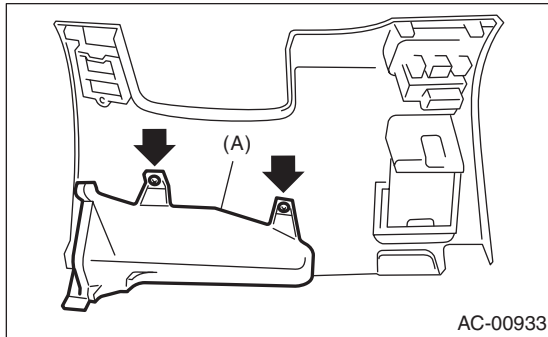
HVAC SYSTEM (HEATER, VENTILATOR AND A/C)

27.Heater Duct

A: REMOVAL

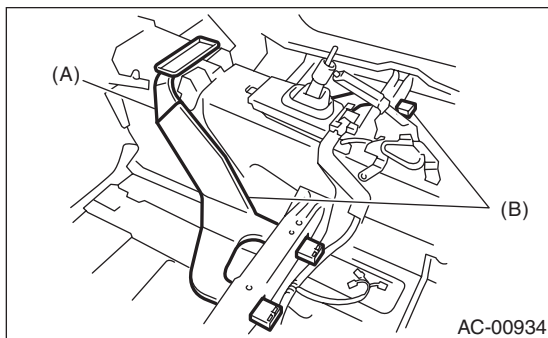
1. FRONT HEATER DUCT

- 1) Remove the instrument panel lower cover. <Ref. to EI-50, REMOVAL, Instrument Panel Lower Cover.>
- 2) Remove the screws and detach the front heater duct (A).



2. REAR HEATER DUCT

- 1) Remove the heater cooling unit. <Ref. to AC-36, REMOVAL, Heater and Cooling Unit.>
- 2) Remove the front seats. <Ref. to SE-9, REMOVAL, Front Seat.>
- 3) Remove the front side sill cover.
- 4) Pull off the floor mat to remove the rear center heater duct (A) and rear heater duct LH, RH (B).



B: INSTALLATION

Install in the reverse order of removal.