

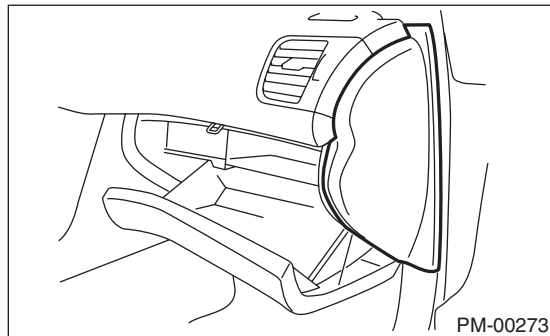
A/C Filter

HVAC SYSTEM (HEATER, VENTILATOR AND A/C)

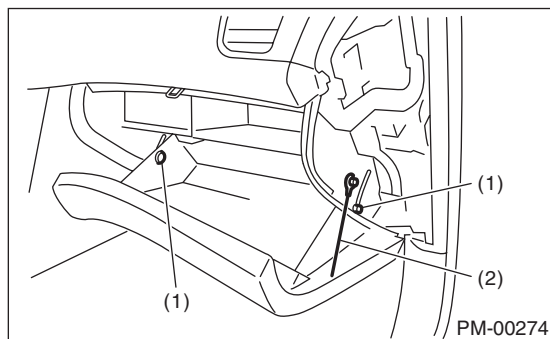
29. A/C Filter

A: REPLACEMENT

1) Remove the instrument panel side cover.

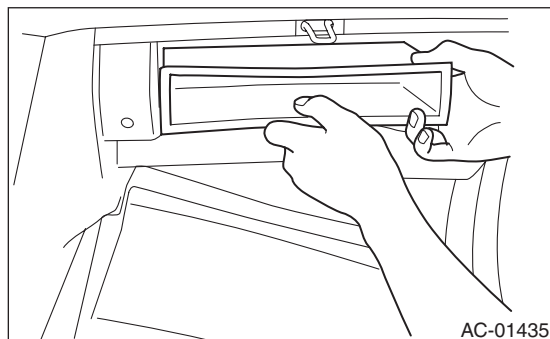
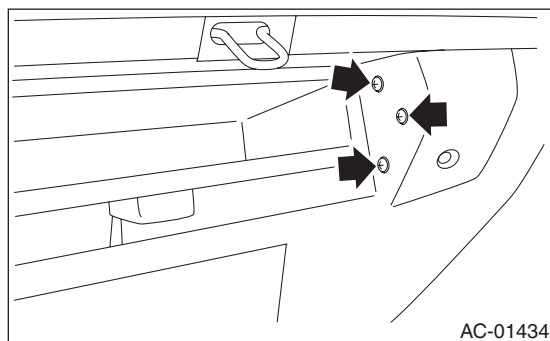


2) Remove the clip and the damper (string).

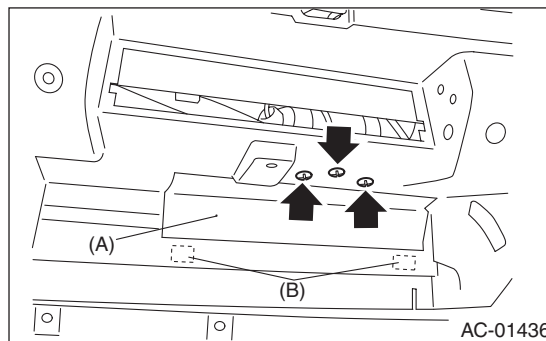


- (1) Clip
- (2) Damper

3) Remove the screws, and then remove the upper storage box.

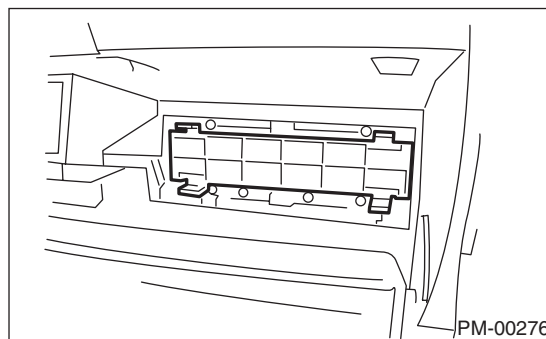


4) Remove the screws to take out the bracket from hole where the storage box was removed.



5) Peel off Velcro tape (B) attaching the insulator, and push up the insulator (A).

6) Remove the A/C filter.



7) Install in the reverse order of removal.