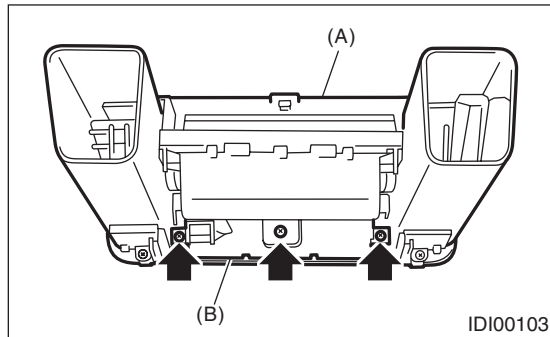


### 9. Clock

#### A: REMOVAL

- 1) Disconnect the ground cable from battery.
- 2) Remove the center air vent grille. <Ref. to AC-45, REMOVAL, Air Vent Grille.>
- 3) Loosen the screws, and remove clock (B) from center air vent grille (A).



#### B: INSTALLATION

Install in the reverse order of removal.

# SEATS

# SE

---

	<b>Page</b>
1. General Description .....	2
2. Front Seat .....	9
3. Rear Seat .....	17
4. Seat Heater System .....	22