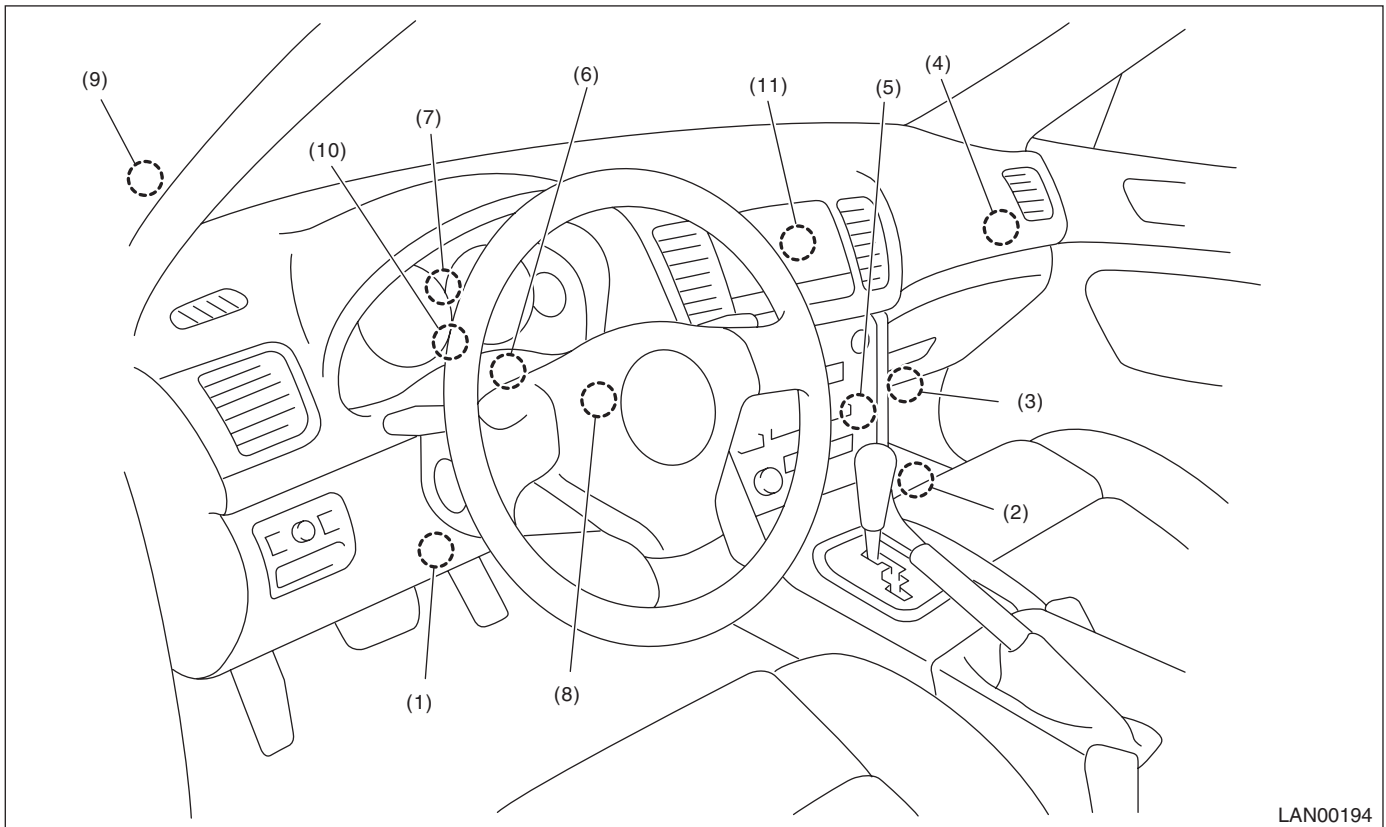


4. Electrical Component Location

A: LOCATION



LAN00194

- | | | |
|---|--|--|
| (1) Body integrated unit | (5) A/C control panel | (9) ABSCM&H/U or VDCCM&H/U
(inside engine room) |
| (2) Engine control module (ECM) | (6) Transmission control module
(TCM) | (10) Odo/trip meter |
| (3) Auto A/C control module | (7) Combination meter | (11) Center display |
| (4) Keyless entry control module
(Antenna) | (8) Steering angle sensor | |

Electrical Component Location

LAN SYSTEM (DIAGNOSTICS)

