

11. Headlight Bulb

A: REMOVAL

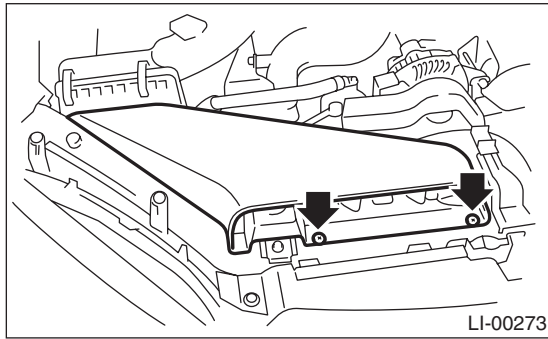
1. HIGH BEAM AND LOW BEAM

CAUTION:

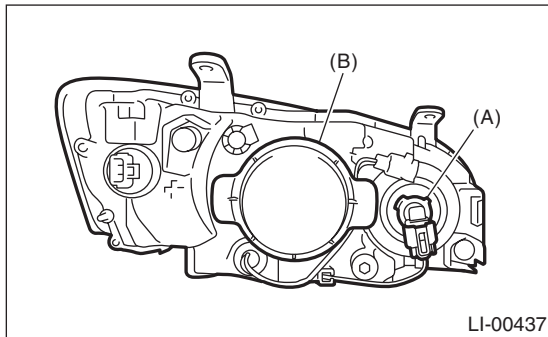
- Because the halogen bulb operates at a high temperature, dirt and oil on the bulb surface reduces the bulb's service life. Hold the flange portion when replacing the bulb. Never touch the glass portion.

- Do not leave the headlight without a bulb for a long time. Dust, moisture, etc. entering the headlight may affect its performance.

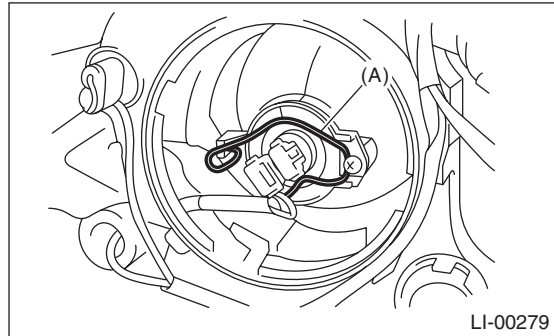
- 1) Disconnect the ground cable from battery.
- 2) Remove the air intake duct. (When removing the headlight bulb RH).



- 3) Remove the battery cover. (When removing the headlight bulb LH)
- 4) Tilt the washer tank filler neck. (When removing the headlight bulb LH)
- 5) Disconnect the harness connector.
- 6) Remove the bulb assembly (A) then remove the high beam. To remove the low beam, remove the back cover (B), and then go to Step 7.



- 7) Remove the light bulb retaining spring (A) to remove bulb.



B: INSTALLATION

Install in the reverse order of removal.

C: INSPECTION

- 1) Visually check the bulb for blow out.
- 2) Check the bulb specification.
<Ref. to LI-2, SPECIFICATION, General Description.>
- 3) If NG, replace the bulb with a new part.