

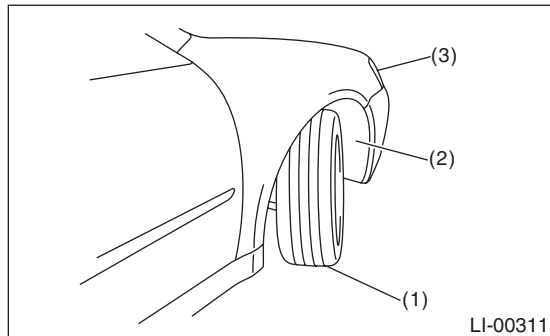
# Front Turn Signal Light Bulb

LIGHTING SYSTEM

## 12. Front Turn Signal Light Bulb

### A: REMOVAL

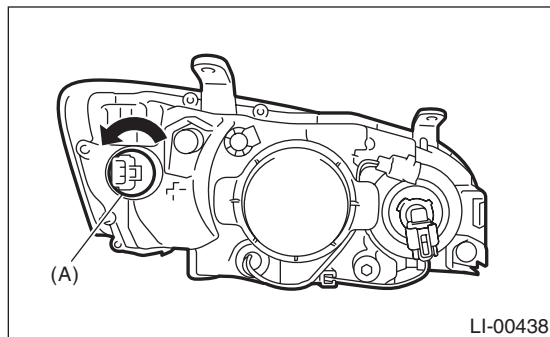
1) When removing the turn signal light bulb, fully turn the steering wheels to opposite direction from the turn signal light bulb to remove.



- (1) Turn the steering wheel fully.
- (2) Mud guard
- (3) Front turn signal light

2) Turn the mud guard inward.

3) Turn socket (A) from the wheel arch, and remove the front turn signal light bulb.



### CAUTION:

**ON the 5AT model, the turn signal light bulb LH cannot be removed from the wheel arch. Remove the bulb from the engine compartment, by removing the battery.**

### B: INSTALLATION

Install in the reverse order of removal.

### C: INSPECTION

- 1) Visually check the bulb for blow out.
- 2) Check the bulb specification.  
<Ref. to LI-2, SPECIFICATION, General Description.>
- 3) If NG, replace the bulb with a new part.