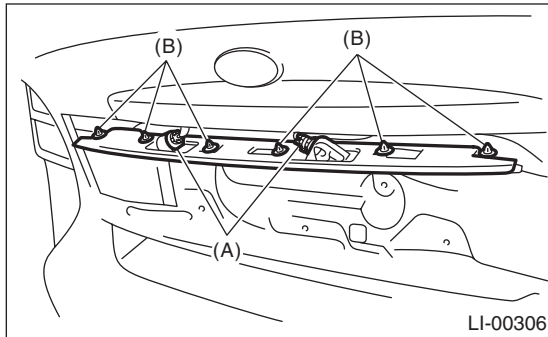


24. License Plate Light Assembly

A: REMOVAL

1. SEDAN MODEL

- 1) Remove the trunk lid garnish. <Ref. to EI-72, REMOVAL, Trunk Lid Garnish.>
- 2) Remove the trunk lid trim. <Ref. to EI-68, TRUNK LID TRIM, REMOVAL, Trunk Room Trim.>
- 3) Turn and remove the bulb socket (A). Disengage clip (B) and remove the license plate light assembly.



B: INSTALLATION

Install in the reverse order of removal.