

# Front Fog Light System

## LIGHTING SYSTEM

### 3. Front Fog Light System

#### A: WIRING DIAGRAM

##### 1. FRONT FOG LIGHT

<Ref. to WI-119, WIRING DIAGRAM, Front Fog Light System.>

#### B: INSPECTION

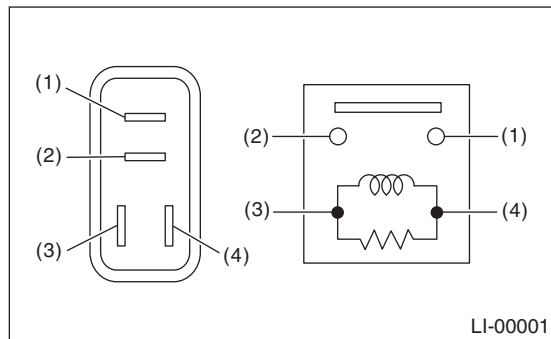
##### 1. FRONT FOG LIGHT SWITCH

Measure the resistance between front fog light switch terminals.

<Ref. to LI-9, INSPECTION, Combination Switch (Light).>

##### 2. FRONT FOG LIGHT RELAY

Connect terminal No. 4 to battery positive terminal and terminal No. 3 to battery ground terminal, and measure the front fog light relay resistance between terminals.



Continuity	Terminal No.	Standard
Yes	1 and 2	Less than 1 $\Omega$
No		1 M $\Omega$ or more