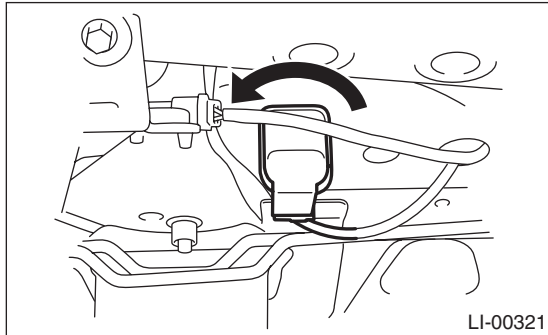


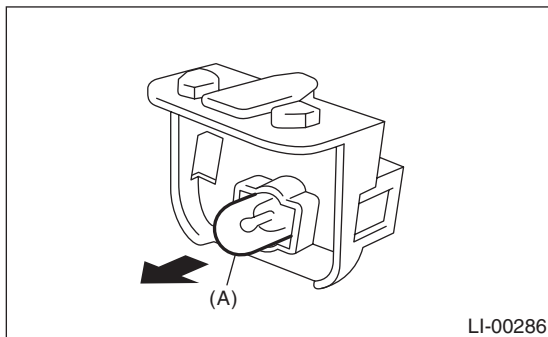
30. Trunk Room Light

A: REMOVAL

- 1) Disconnect the ground cable from battery.
- 2) Turn the trunk room light counterclockwise 60° to remove it and disconnect the harness connector.



- 3) Remove bulb (A).



B: INSTALLATION

Install in the reverse order of removal.

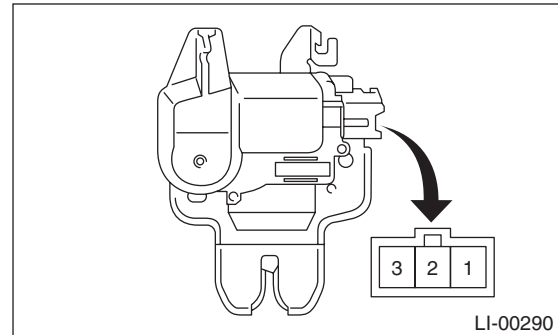
C: INSPECTION

1. TRUNK ROOM LIGHT BULB

- 1) Visually check the bulb for blow out.
- 2) Check the bulb specification. <Ref. to LI-2, SPECIFICATION, General Description.>
- 3) If NG, replace the bulb with a new part.

2. TRUNK LID SWITCH (TRUNK ROOM LIGHT SWITCH)

Measure the resistance between trunk lid switch terminals.



| Trunk lid position | Terminal No. | Standard |
|--------------------|--------------|--------------|
| Close | 1 and 3 | 1 MΩ or more |
| Open | | 1.5±0.5 Ω |