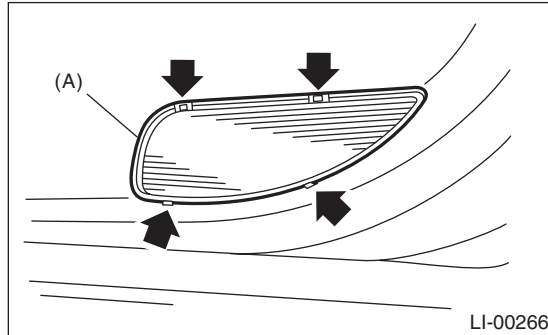


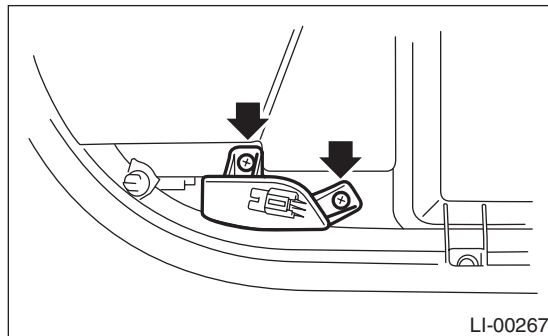
32. Door Step Light

A: REMOVAL

- 1) Disconnect the ground cable from battery.
- 2) Remove lens (A), and then remove the door step light bulb.



- 3) Remove the front door trim. <Ref. to EI-48, REMOVAL, Door Trim.>
- 4) Disconnect the harness connector.
- 5) Remove the mounting screw from the rear side of trim and remove the door step light.



B: INSTALLATION

Install in the reverse order of removal.

C: INSPECTION

- 1) Visually check the bulb for blow out.
- 2) Check the bulb specification.
<Ref. to LI-2, SPECIFICATION, General Description.>
- 3) If NG, replace the bulb with a new part.