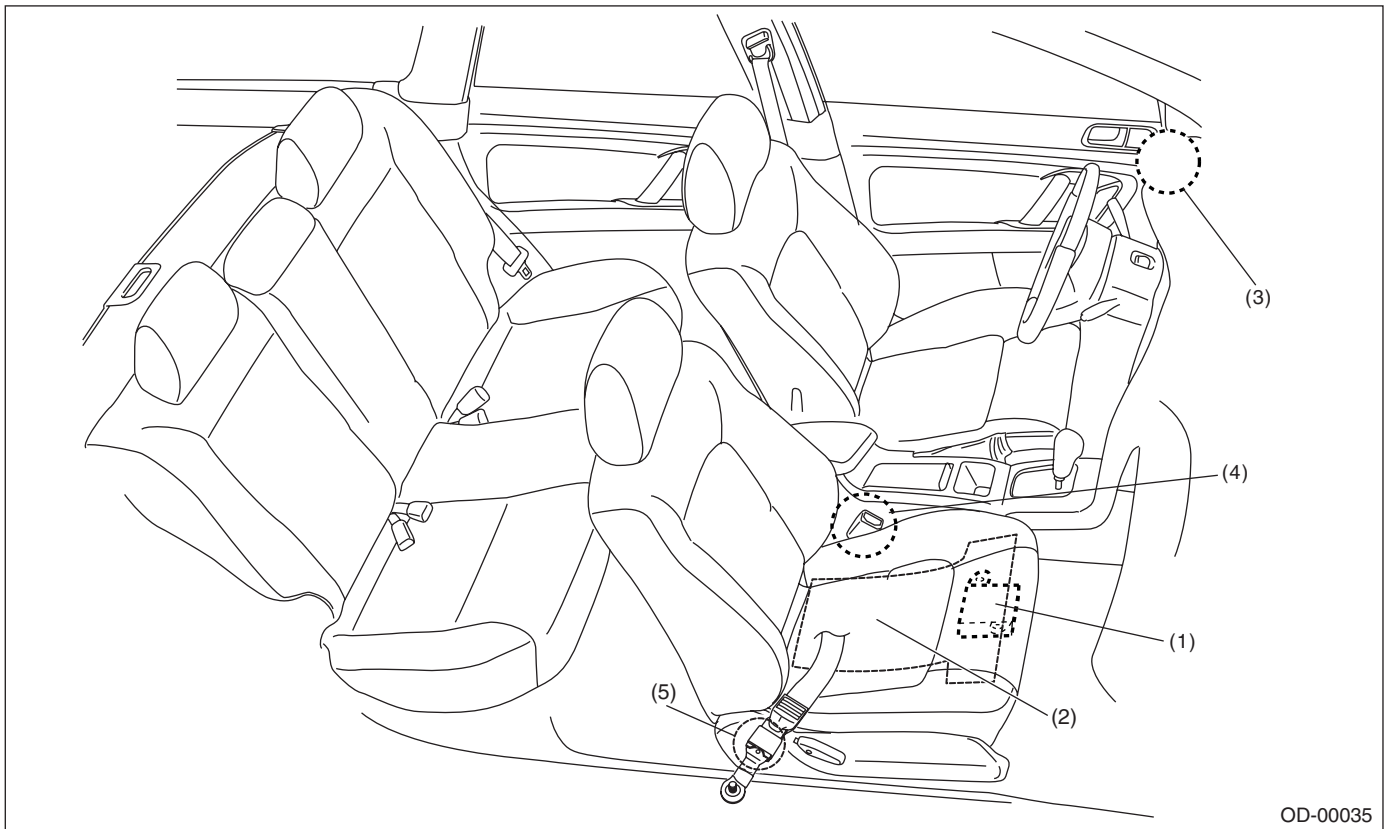


Electrical Component Location

OCCUPANT DETECTION SYSTEM (DIAGNOSTICS)

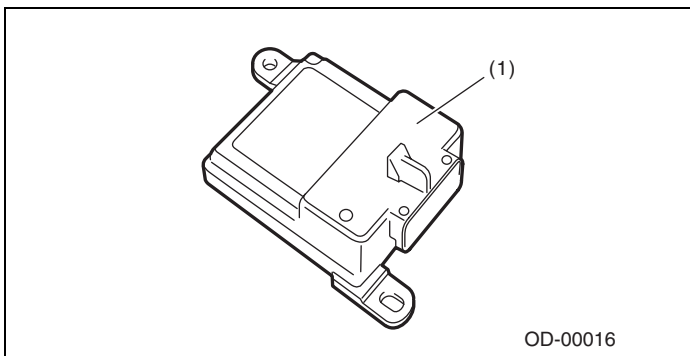
4. Electrical Component Location

A: LOCATION

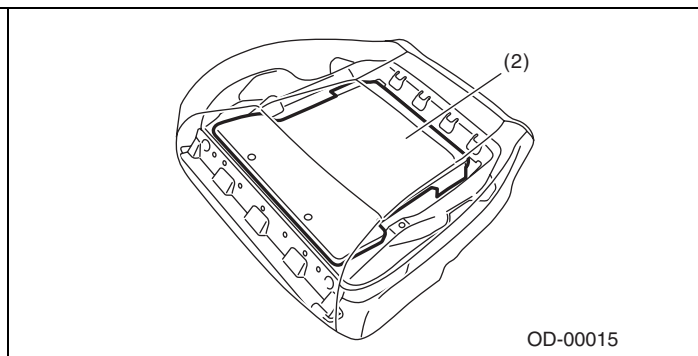


OD-00035

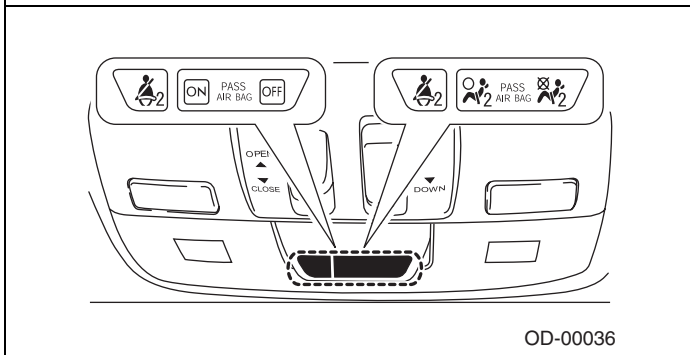
- | | | |
|---------------------------------------|--|------------------------------|
| (1) Occupant detection control module | (3) Airbag ON/OFF indicator light (Map lamp) | (5) Seat belt tension sensor |
| (2) Occupant detection sensor | (4) Buckle switch (Passenger's seat) | |



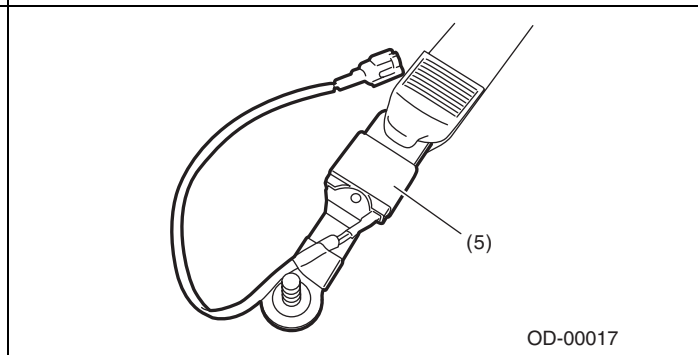
OD-00016



OD-00015



OD-00036



OD-00017