

Airbag Connector

OCCUPANT DETECTION SYSTEM (DIAGNOSTICS)

5. Airbag Connector

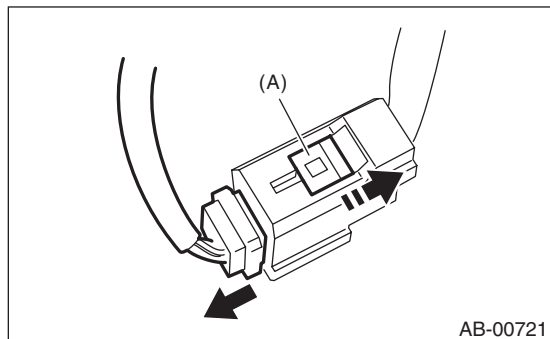
A: PROCEDURE

1. BUCKLE SWITCH

1) How to disconnect:

(1) Move the slide lock (A) in the direction of arrow.

(2) While holding the slide lock (A) in the open position, disconnect the connector.

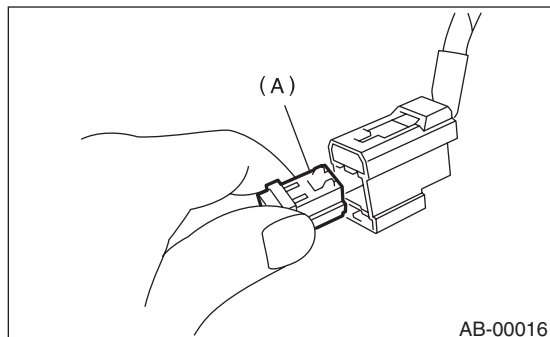


CAUTION:

When pulling the slide lock or disconnecting connector, be sure to hold the connector, not the harness.

2) How to connect:

Holding the connector (A), and push it in carefully until a clicking sound is heard.



CAUTION:

Be sure to insert the connector in until it is locked. Then pull it lightly to make sure that it is locked.