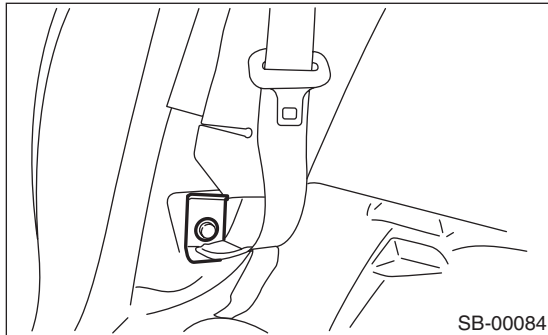


6. Rear Seat Belt

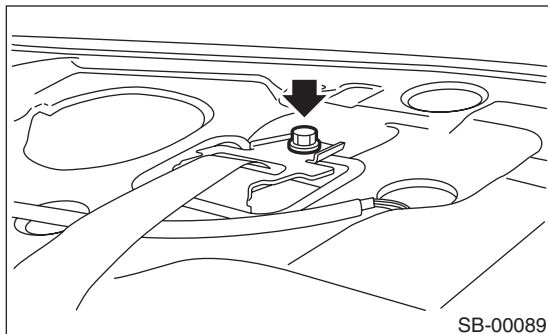
A: REMOVAL

1. OUTER SEAT BELT RH ASSEMBLY AND LH ASSEMBLY (SEDAN MODEL)

- 1) Remove the rear seat. <Ref. to SE-17, REMOVAL, Rear Seat.>
- 2) Remove the seat belt lower anchor bolt.

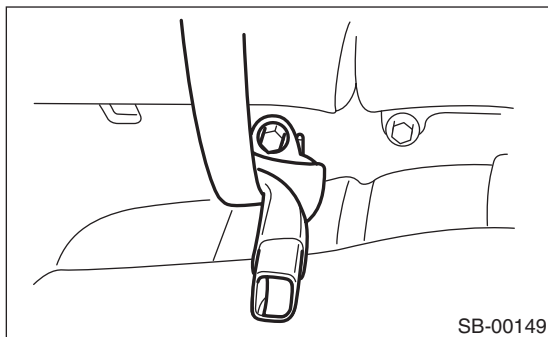


- 3) Remove the rear quarter trim. <Ref. to EI-61, SEDAN MODEL, REMOVAL, Rear Quarter Trim.>
- 4) Remove the bolts, and then detach the outer seat belt assembly.



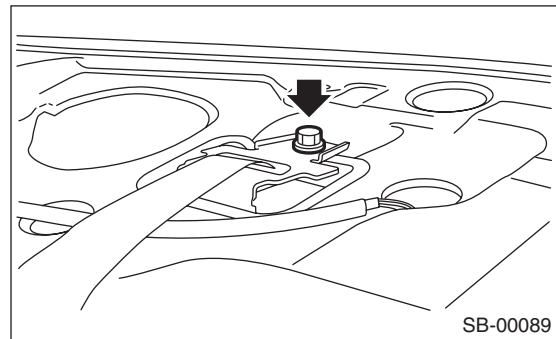
2. SHOULDER SEAT BELT CENTER ASSEMBLY (SEDAN MODEL)

- 1) Remove the rear seat cushion. <Ref. to SE-17, REMOVAL, Rear Seat.>
- 2) Remove the seat belt lower anchor bolt.



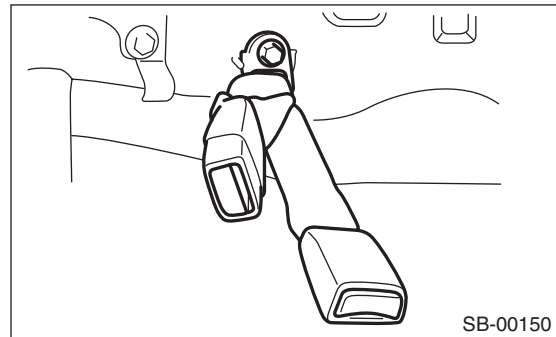
- 3) Remove the rear quarter trim. <Ref. to EI-61, REMOVAL, Rear Quarter Trim.>
- 4) Remove the rear shelf trim. <Ref. to EI-67, REMOVAL, Rear Shelf Trim.>

- 5) Remove the bolts, then remove the shoulder seat belt assembly.



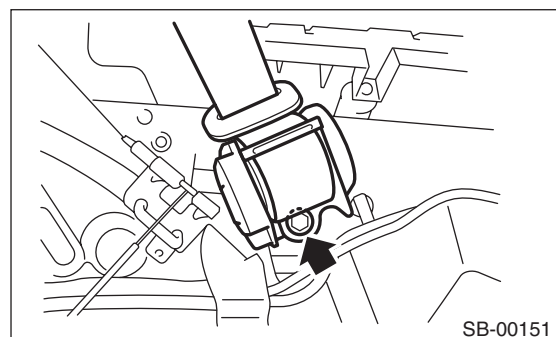
3. CENTER SEAT BELT LH ASSEMBLY (SEDAN MODEL)

- 1) Remove the rear seat cushion. <Ref. to SE-17, REMOVAL, Rear Seat.>
- 2) Remove the bolts, then remove the center seat belt LH assembly.



4. OUTER SEAT BELT RH ASSEMBLY AND LH ASSEMBLY (WAGON MODEL)

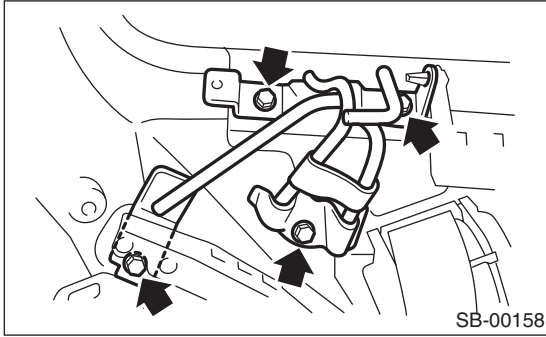
- 1) Remove the luggage floor box. <Ref. to EI-71, REMOVAL, Luggage Floor Box.>
- 2) Remove the rear seat cushion and backrest shoulder. <Ref. to SE-17, (SEDAN MODEL), REMOVAL, Rear Seat.>
- 3) Remove the rear quarter lower trim. <Ref. to EI-61, WAGON MODEL, REMOVAL, Rear Quarter Trim.>
- 4) Remove the bolt to remove outer seat belt retractor.



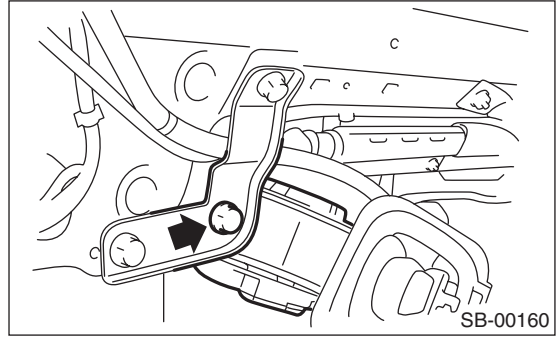
Rear Seat Belt

SEAT BELT SYSTEM

5) Remove the bolt to remove the outer seat belt guide.



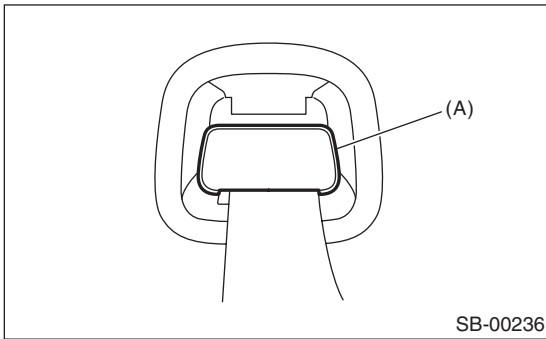
4) Remove the bolt to remove the seat belt retractor.



5. SHOULDER SEAT BELT CENTER ASSEMBLY (WAGON MODEL)

1) Remove the quarter rear pillar trim. <Ref. to EI-61, WAGON MODEL, REMOVAL, Rear Quarter Trim.>

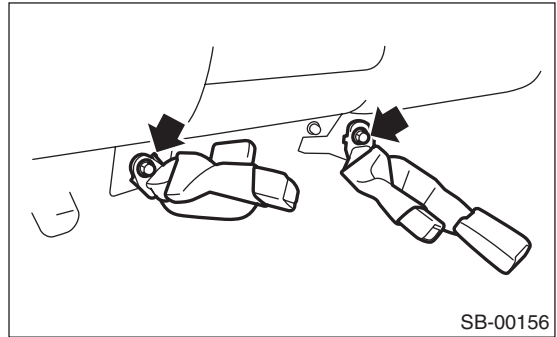
2) Remove the cover (A) from roof trim, and then insert it to the inside of roof trim.



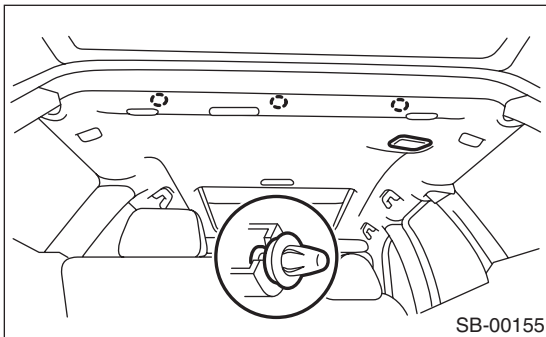
6. CENTER SEAT BELT RH ASSEMBLY AND LH ASSEMBLY (WAGON MODEL)

1) Remove the rear seat cushion. <Ref. to SE-17, (SEDAN MODEL), REMOVAL, Rear Seat.>

2) Remove the bolts, then remove the center seat belt assembly.



3) Remove the clips, and then lower the roof trim end.



B: INSTALLATION

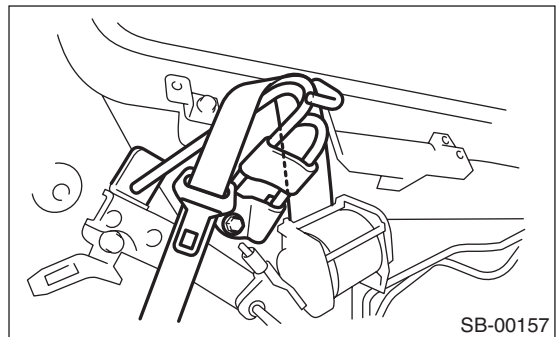
Install in the reverse order of removal.

CAUTION:

- During installation, make sure that the seat belts are not twisted.
- After installation, make sure that the seat belts are smoothly extended and wound.
- After seat belt guide installation, make sure that the seat belts are wound.

CAUTION:

When removing the roof trim clip, do not pull the roof trim end backward with excessive force, otherwise roof trim may be damaged.



C: INSPECTION

Check for the following, and replace with new parts if necessary.

- Seat belt is slackened, bent or worn. Seat belt is abnormally wound or extended.
- Inner belt is deformed or damaged.
- Seat belt buckle cannot be engaged properly.

Rear Seat Belt

SEAT BELT SYSTEM

LIGHTING SYSTEM



	Page
1. General Description	2
2. Headlight and Tail Light System	3
3. Front Fog Light System	4
4. Turn Signal Light and Hazard Light System	5
5. Back-up Light System	6
6. Stop Light System	7
7. Room Light System	8
8. Combination Switch (Light)	9
9. Combination Base Switch Assembly	10
10. Headlight Assembly	11
11. Headlight Bulb	13
12. Front Turn Signal Light Bulb	14
13. Parking Light Bulb	15
14. Front Side Marker Light Bulb	16
15. Front Fog Light Assembly	17
16. Front Fog Light Bulb	19
17. Side Turn Signal Light Assembly	20
18. Rear Combination Light Assembly	21
19. Tail/Stop Light Bulb	22
20. Rear Turn Signal Light Bulb	23
21. Rear Side Marker Light Bulb	24
22. Back-up Light Assembly	25
23. Back-up Light Bulb	26
24. License Plate Light Assembly	27
25. License Plate Light	28
26. High-mounted Stop Light	29
27. Spot Map Light	30
28. Room Light	31
29. Luggage Room Light	32
30. Trunk Room Light	33
31. Glove Box Light	34
32. Door Step Light	35
33. Ignition Switch Illumination	36