

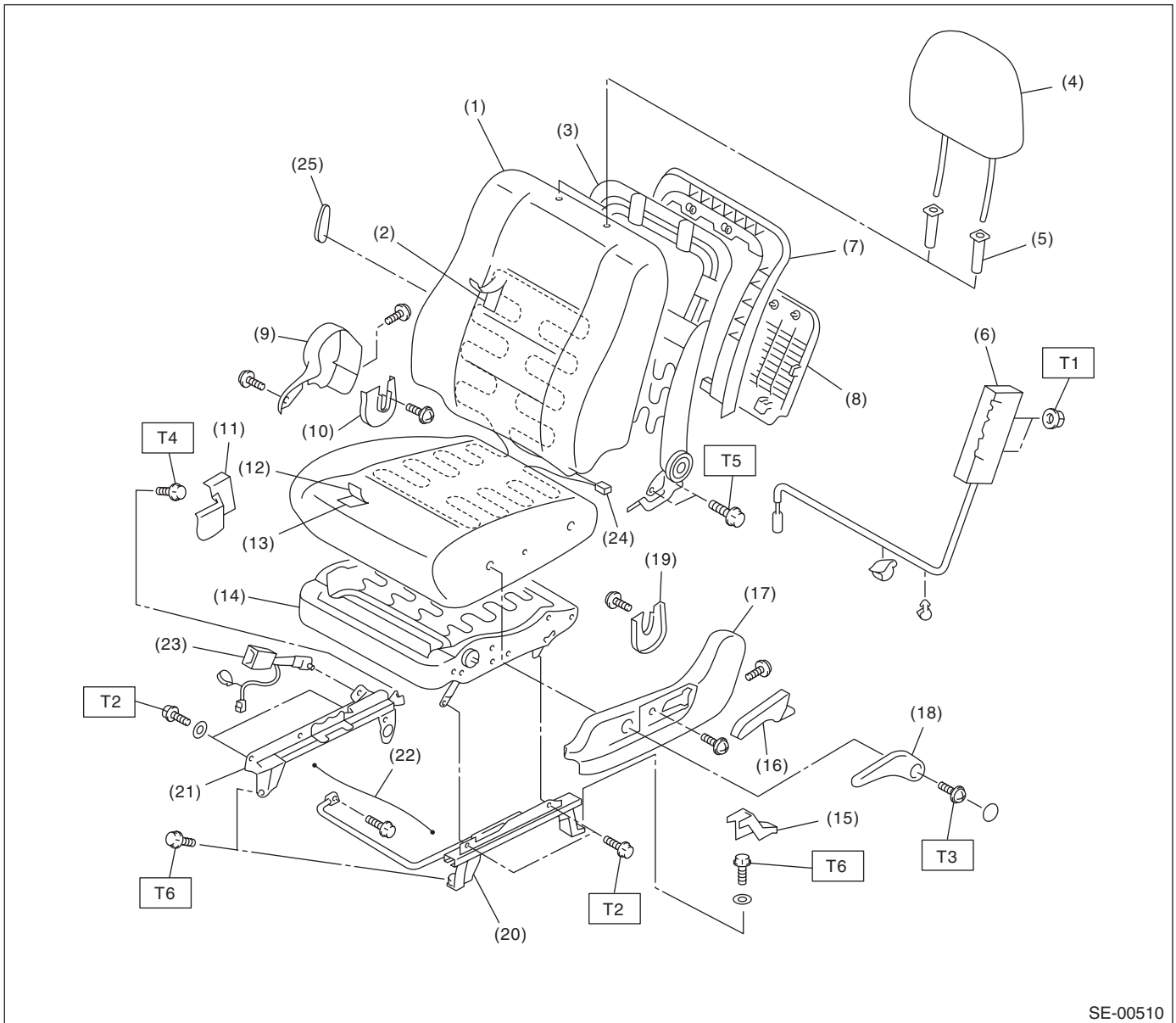
General Description

SEATS

1. General Description

A: COMPONENT

1. FRONT SEAT LH (MANUAL SEAT)



(1) Backrest cover	(12) Seat cushion cover	(23) Inner seat belt ASSY
(2) Backrest pad	(13) Seat cushion pad	(24) Seat heater unit
(3) Backrest frame ASSY	(14) Seat cushion frame ASSY	(25) Lumber support lever
(4) Headrest ASSY	(15) Rear bolt cover outside	
(5) Headrest lock bushing	(16) Reclining lever	
(6) Side airbag module	(17) Seat side cover outside	
(7) Cover frame	(18) Lifter lever	
(8) Backrest back cover	(19) Hinge inner cover LH	
(9) Seat side cover inside	(20) Outer slide rail	
(10) Hinge inner cover RH	(21) Inner slide rail	
(11) Rear bolt cover inside	(22) Connecting wire	

Tightening torque: N-m (kgf-m, ft-lb)

T1: 6 (0.61, 4.43)

T2: 10 (1.02, 7.38)

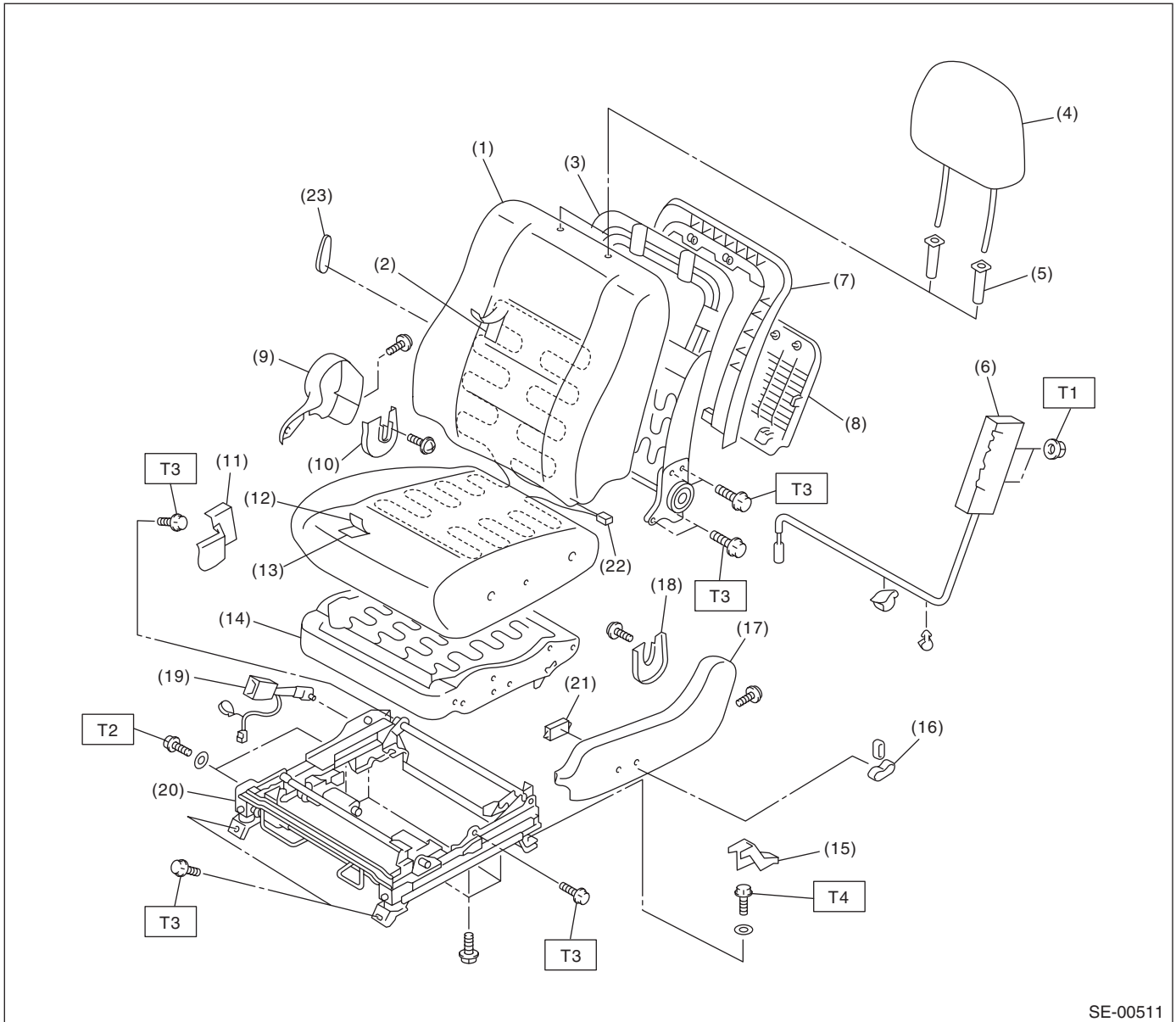
T3: 22 (2.24, 16.2)

T4: 30 (3.06, 22.1)

T5: 52 (5.30, 38.4)

T6: 53 (5.40, 39.1)

2. FRONT SEAT LH (POWER SEAT)



- | | | |
|----------------------------|------------------------------|-----------------------------|
| (1) Backrest cover | (11) Rear bolt cover inside | (21) Power seat switch unit |
| (2) Backrest pad | (12) Seat cushion cover | (22) Seat heater unit |
| (3) Backrest frame ASSY | (13) Seat cushion pad | (23) Lumber support lever |
| (4) Headrest ASSY | (14) Seat cushion frame ASSY | |
| (5) Headrest lock bushing | (15) Rear bolt cover outside | |
| (6) Side airbag module | (16) Power seat switch knob | |
| (7) Cover frame | (17) Seat side cover outside | |
| (8) Backrest back cover | (18) Hinge inner cover LH | |
| (9) Seat side cover inside | (19) Inner seat belt ASSY | |
| (10) Hinge inner cover RH | (20) Slide rail ASSY | |

Tightening torque: N·m (kgf·m, ft·lb)

T1: 6 (0.61, 4.43)

T2: 22 (2.24, 16.2)

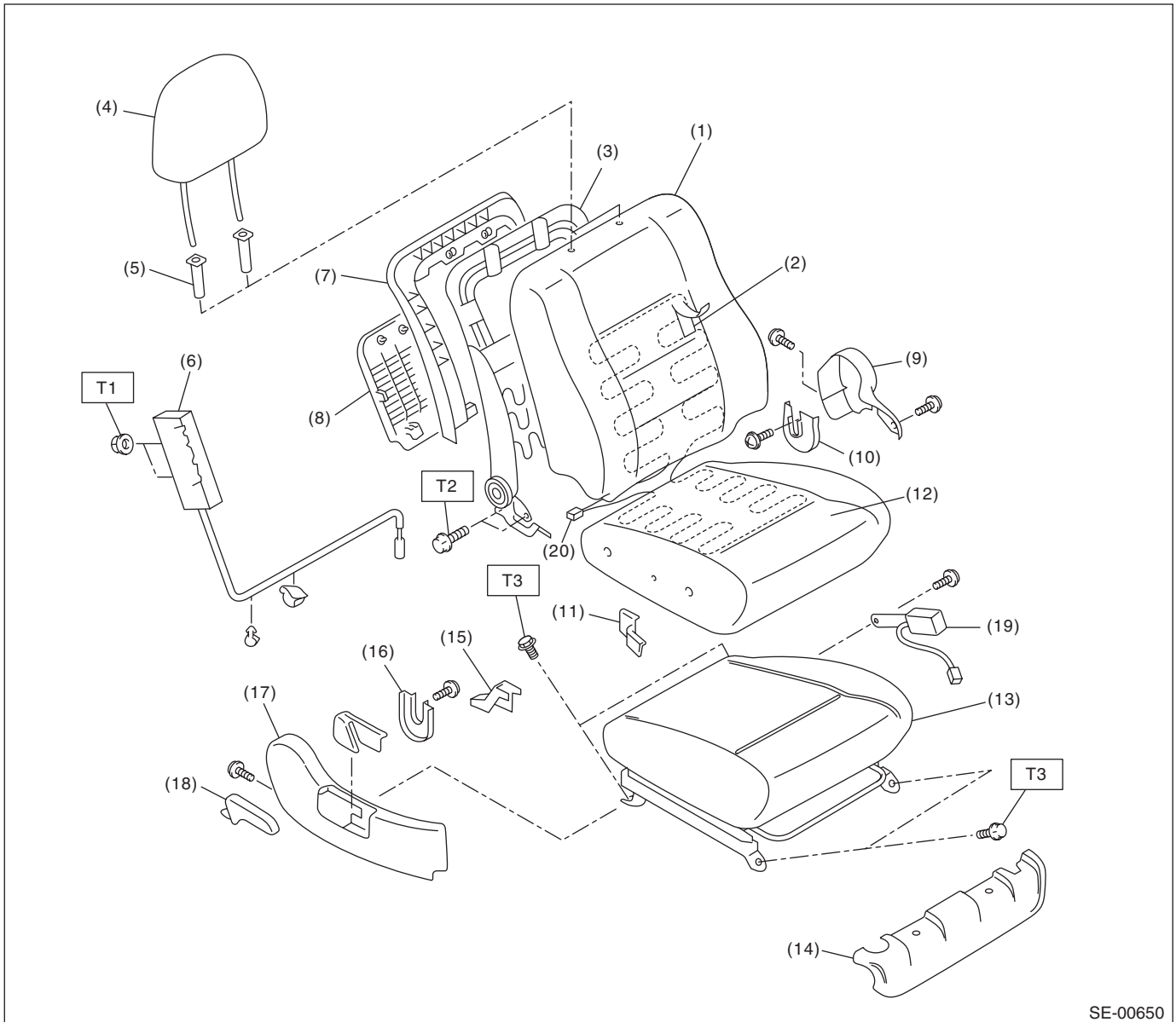
T3: 52 (5.30, 38.4)

T4: 53 (5.40, 39.1)

General Description

SEATS

3. FRONT SEAT RH (MANUAL SEAT)



SE-00650

- | | | |
|---------------------------|--------------------------------------|---------------------------|
| (1) Backrest cover | (10) Hinge inner cover LH | (19) Inner seat belt ASSY |
| (2) Backrest pad | (11) Rear bolt cover inside | (20) Seat heater unit |
| (3) Backrest frame ASSY | (12) Seat cushion cover | |
| (4) Headrest ASSY | (13) Seat cushion pad and frame ASSY | |
| (5) Headrest lock bushing | (14) Front bolt cover | |
| (6) Side airbag module | (15) Rear bolt cover outside | |
| (7) Cover frame | (16) Hinge inner cover RH | |
| (8) Backrest back cover | (17) Seat side cover outside | |
| (9) Seat cover inside | (18) Reclining lever | |

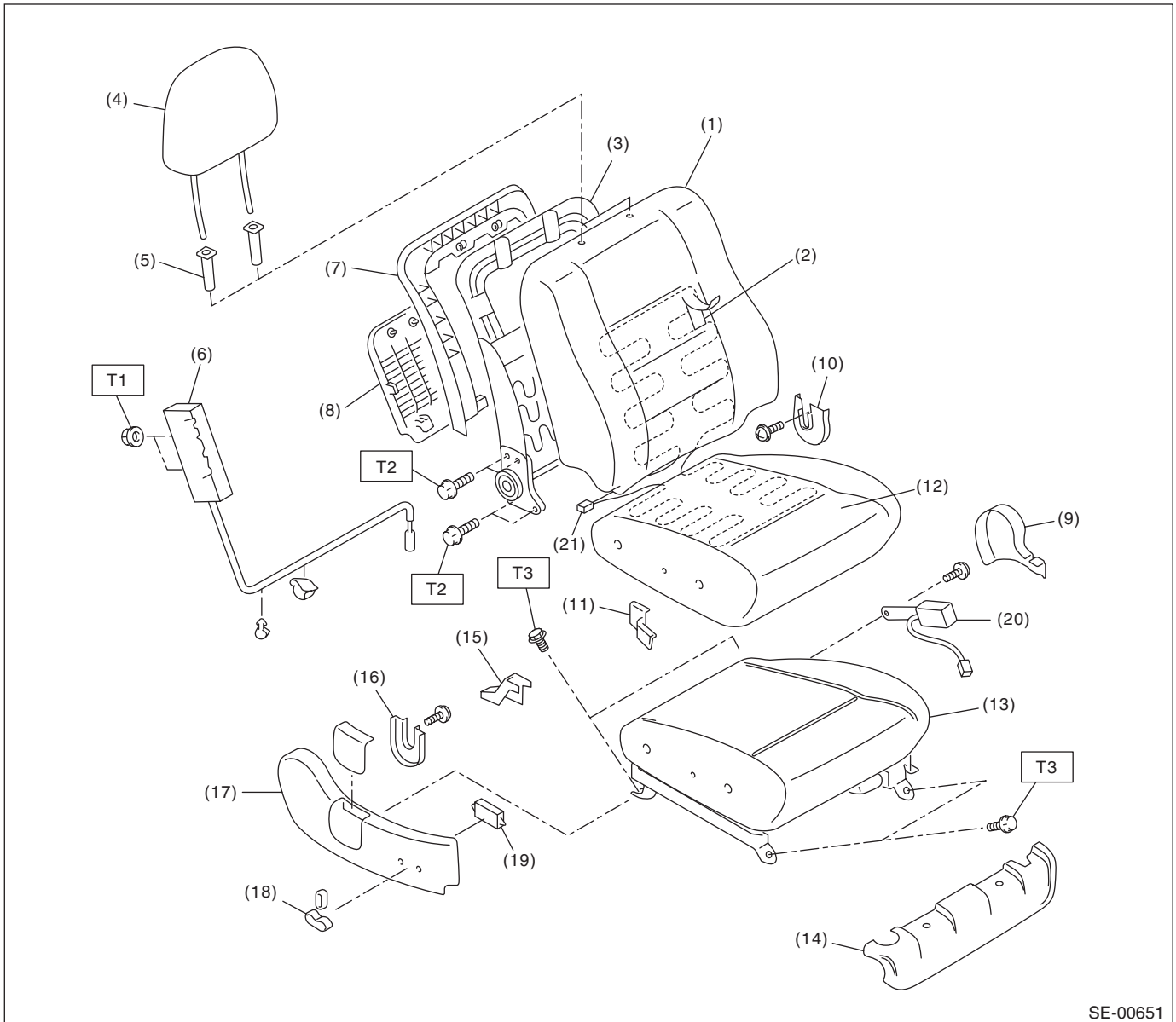
Tightening torque: N·m (kgf-m, ft-lb)

T1: 6 (0.61, 4.43)

T2: 52 (5.30, 38.4)

T3: 53 (5.40, 39.1)

4. FRONT SEAT RH (POWER SEAT)



SE-00651

- | | | |
|----------------------------|--------------------------------------|-----------------------------|
| (1) Backrest cover | (10) Hinge inner cover LH | (19) Power seat switch unit |
| (2) Backrest pad | (11) Rear bolt cover inside | (20) Inner seat belt ASSY |
| (3) Backrest frame ASSY | (12) Seat cushion cover | (21) Seat heater unit |
| (4) Headrest ASSY | (13) Seat cushion pad and frame ASSY | |
| (5) Headrest lock bushing | (14) Front bolt cover | |
| (6) Side airbag module | (15) Rear bolt cover outside | |
| (7) Cover frame | (16) Hinge inner cover RH | |
| (8) Backrest back cover | (17) Seat side cover outside | |
| (9) Seat side cover inside | (18) Power seat switch knob | |

Tightening torque: N·m (kgf·m, ft·lb)

T1: 6 (0.61, 4.43)

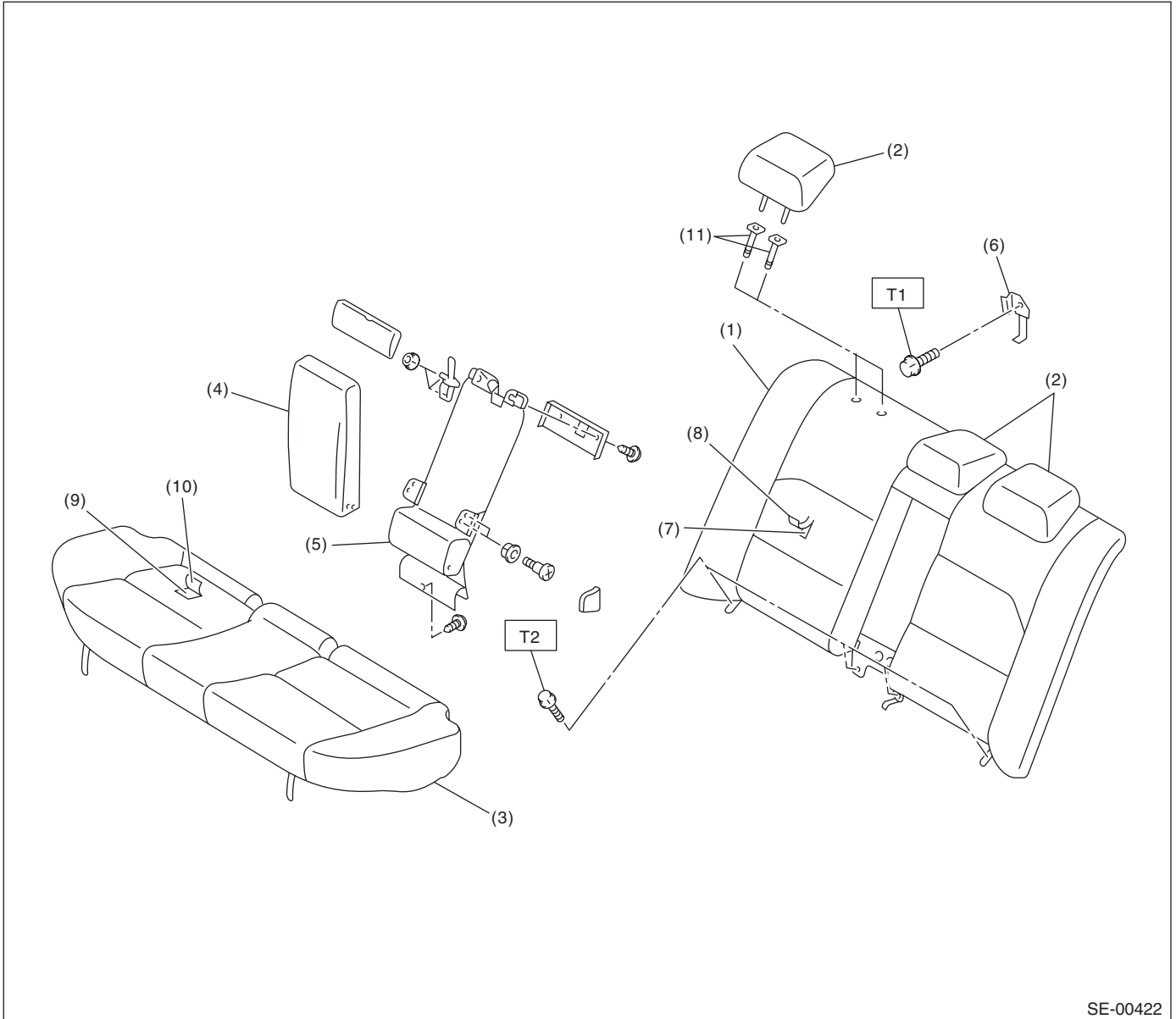
T2: 52 (5.30, 38.4)

T3: 53 (5.40, 39.1)

General Description

SEATS

5. REAR SEAT (SEDAN MODEL)



- | | |
|--------------------------|-----------------------------------|
| (1) Backrest | (6) Hook |
| (2) Headrest | (7) Backrest pad assembly |
| (3) Cushion | (8) Backrest cover assembly |
| (4) Armrest | (9) Rear pad & cushion frame ASSY |
| (5) Center through frame | (10) Rear cushion cover |

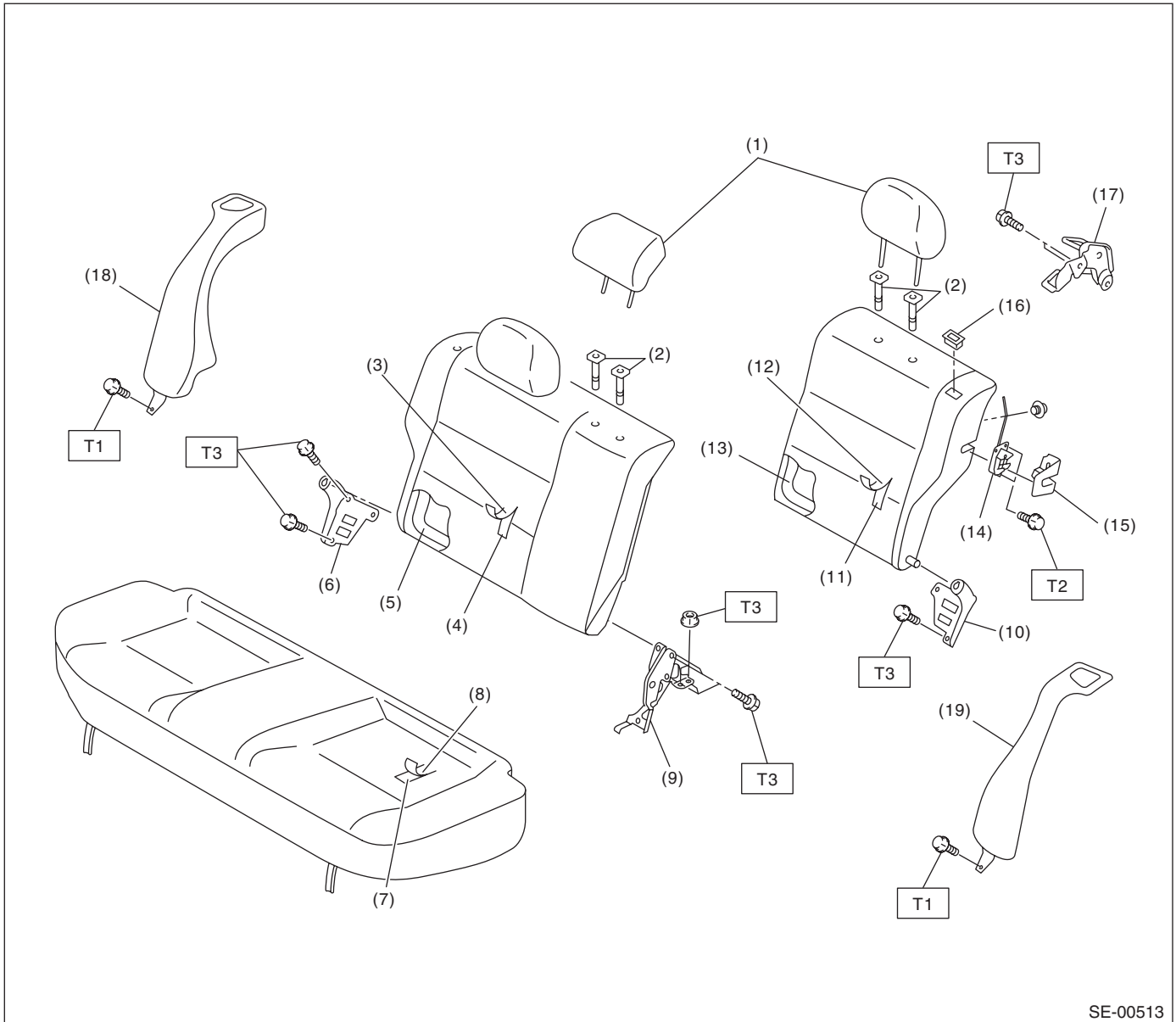
- | |
|-----------------------|
| (11) Headrest bushing |
|-----------------------|

Tightening torque: N-m (kgf-m, ft-lb)

T1: 10 (1.02, 7.38)

T2: 24.5 (2.5, 18.1)

6. REAR SEAT (WAGON MODEL)



SE-00513

- | | |
|------------------------|--------------------------------|
| (1) Headrest | (9) Hinge ASSY center |
| (2) Headrest bushing | (10) Hinge ASSY LH |
| (3) Backrest cover RH | (11) Backrest pad LH |
| (4) Backrest pad RH | (12) Backrest cover LH |
| (5) Backrest frame RH | (13) Backrest frame LH |
| (6) Hinge ASSY RH | (14) Seat back latch |
| (7) Seat cushion pad | (15) Seat backrest latch cover |
| (8) Seat cushion cover | (16) Holder & button |

- | |
|---------------------------|
| (17) Striker |
| (18) Backrest shoulder RH |
| (19) Backrest shoulder LH |

Tightening torque: N·m (kgf·m, ft·lb)

T1: 13.7 (1.40, 10.1)

T2: 17 (1.73, 12.3)

T3: 22 (2.24, 16.2)

General Description

SEATS

B: CAUTION

- If the seat cushion cover is removed or replaced, make sure to perform passenger detection system adjustment after installing the seat to the vehicle. <Ref. to OD(diag)-17, SYSTEM CALIBRATION (REZEROING), OPERATION, Subaru Select Monitor.>

Failure to do so may cause improper operation of the passenger detection system.

- The passenger detection system (passenger seat only) control unit and the passenger detection sensor are fixed to the seat cushion frame. Never remove the passenger detection control unit or the pressure sensor from the seat cushion frame.
- Do not replace the seat cushion pad by itself. Always replace the seat cushion pad and frame assembly as a set. The seat cushion pad and cushion frame are adjusted as a set at the time of manufacture. If cushion pads and cushion frames are combined from those of other vehicles or other sets, the passenger detection system may not operate properly.
- If the seat cushion cover is removed, make sure to replace the hang wire on the seat cushion side with a new wire.
- When removing the front seat from a side airbag loaded vehicle, follow cautions given in the airbag section. <Ref. to AB-6, CAUTION, General Description.>

C: PREPARATION TOOL

1. GENERAL TOOL

TOOL NAME	REMARKS
Long nose plier	Used for removing the hog ring.
Hog ring pliers	Used for installing the hog ring.
TORX® T50	Used for removing and installing the inner seat belt assembly.