

2. Front Seat

A: REMOVAL

CAUTION:

The airbag system is fitted with a backup power source. After disconnecting the battery ground cable, the airbag may deploy if you do not wait for 20 seconds before starting the service of airbag system.

1. DRIVER'S SEAT

- 1) Remove the headrest.
- 2) Tilt the backrest forward, and move the seat forward.
- 3) Remove the rear bolt cover, and remove the two bolts at the rear side of the slide rail.
- 4) Move the seat towards the rear, and remove the two bolts at the front side of the slide rail.
- 5) Disconnect the ground cable from battery, and wait for more than 20 seconds before starting work.
- 6) Disconnect the connector under the seat.
 - Seat belt buckle switch connector
 - Seat position sensor connector
 - Side airbag connector
 - Seat heater connector (model with seat heater)
 - Power seat connector (model with power seats)
- 7) Remove the seat from vehicle.

2. PASSENGER'S SEAT

CAUTION:

Refer to "CAUTION" of "General Description" before starting the work. <Ref. to SE-8, CAUTION, General Description.>

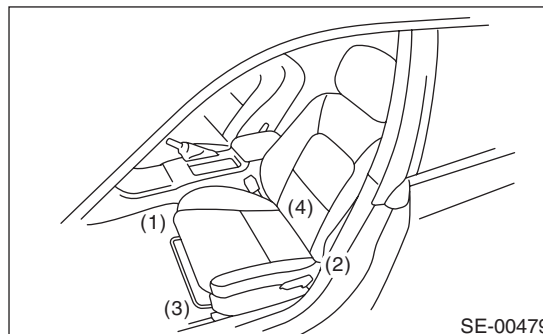
- 1) Remove the headrest.
- 2) Tilt the backrest forward, and move the seat forward.
- 3) Remove the rear bolt cover, and then remove the rear side of slide rail.
- 4) Move the seat backward, remove the front bolt cover, and then remove the bolt at the front side of slide rail.
- 5) Disconnect the ground cable from battery, and wait for more than 20 seconds before starting work.
- 6) Disconnect all the connectors of connector holder in the backside of seat cushion.
 - Harness connector of occupant detection control module
 - Side airbag connector
 - Power seat connector (model with power seats)
 - Seat heater connector (model with seat heater)
- 7) Remove the seat from vehicle.

B: INSTALLATION

Install in the reverse order of removal.

NOTE:

Tighten the slide rail installing bolt gradually in several steps to the specified torque in the order as shown in the figure.



CAUTION:

After installing the driver's seat, use the Subaru Select Monitor to confirm that the seat position sensor LH is operating properly. <Ref. to AB(di-ag)-30, DISPLAY OF STATUS INFORMATION, OPERATION, Subaru Select Monitor.>

Tightening torque:

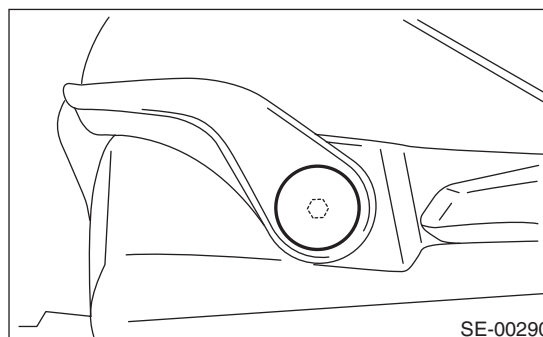
Refer to "COMPONENT" of "General Description". <Ref. to SE-2, COMPONENT, General Description.>

C: DISASSEMBLY

1. DRIVER'S SEAT

MANUAL SEAT

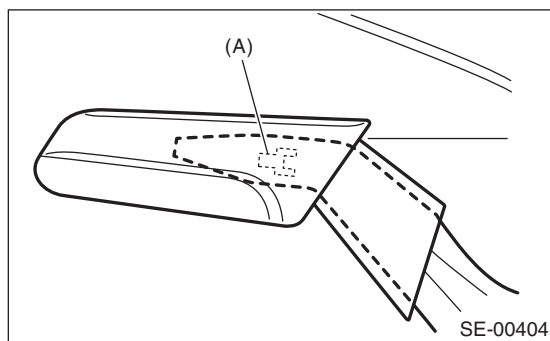
- 1) Remove the seat from vehicle. <Ref. to SE-9, REMOVAL, Front Seat.>
- 2) Remove the seat lifter cover using a flat tip screwdriver and loosen the inner bolt to remove the seat lifter lever.



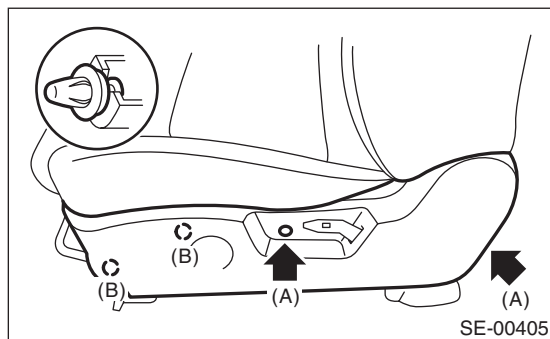
Front Seat

SEATS

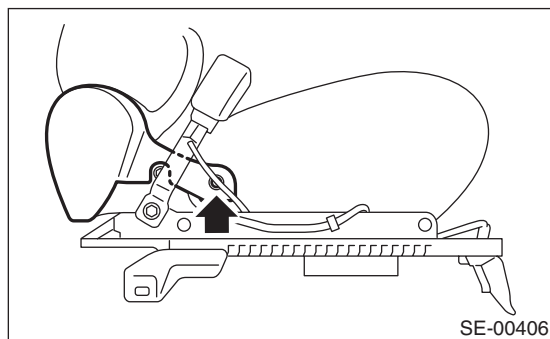
3) Remove hook (A) and detach the reclining lever cover.



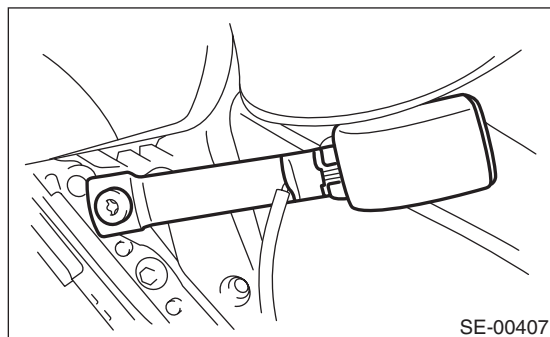
4) Remove screws (A) and clips (B), and then detach the seat side cover outside.



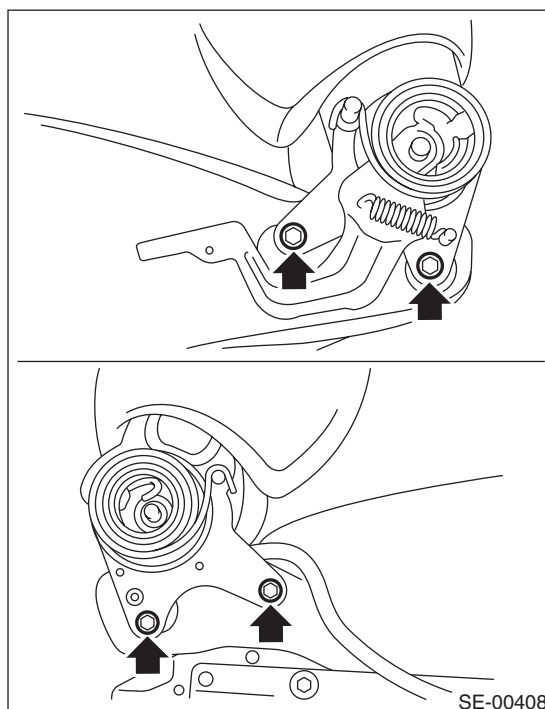
5) Loosen the screws to detach the seat side cover inside.



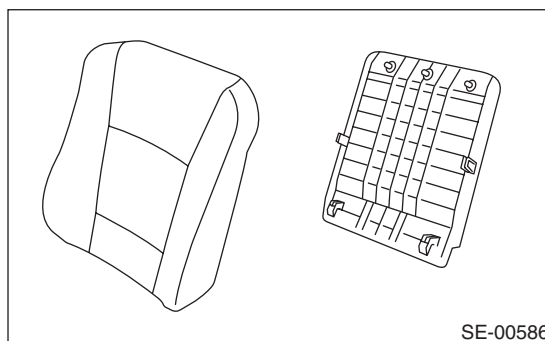
6) Remove the TORX® bolt, and then remove the inner seat belt assembly.



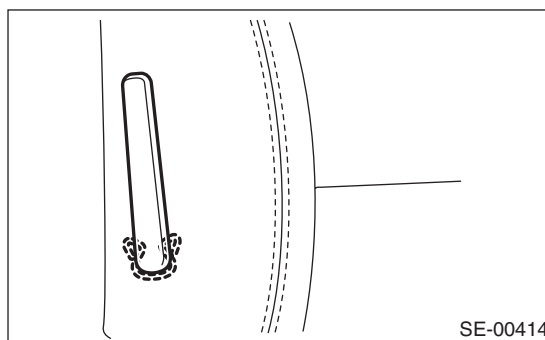
7) Remove the two bolts from the reclining hinge on each left and right side.



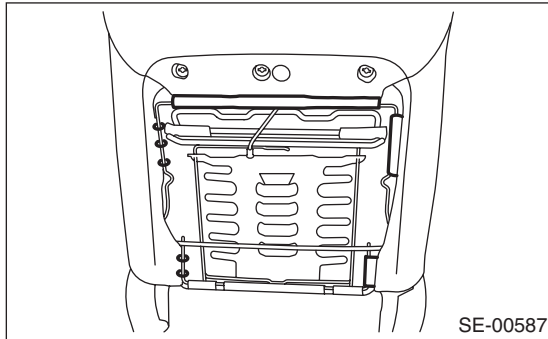
8) Remove the clips and hooks, and then detach the backrest back cover.



9) Remove the lock clip, and then remove the lumbar support lever.



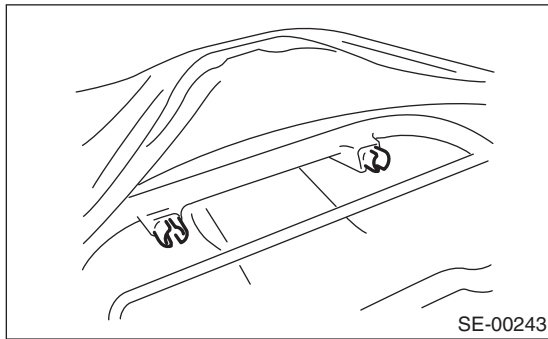
10) Remove the hooks and hog rings at the rear side of backrest.



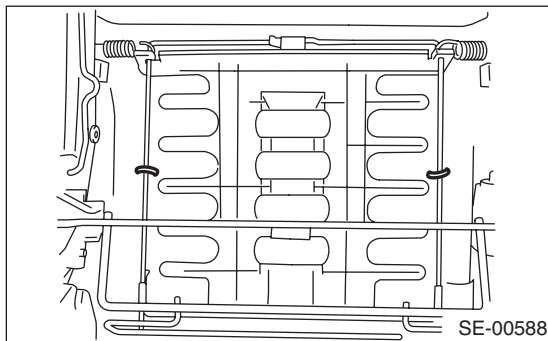
11) Remove the headrest lock bushing.

NOTE:

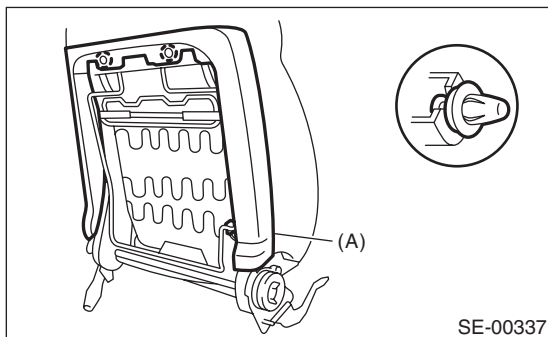
Push outside to remove it from the inside of seat.



12) Remove the hog rings.

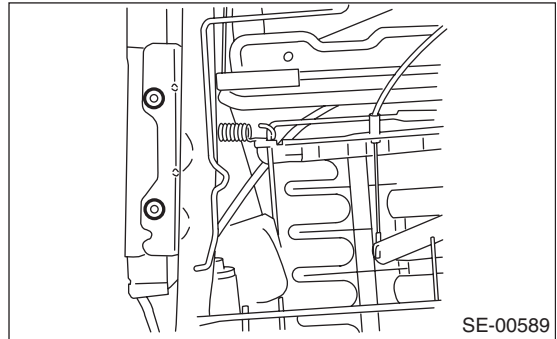


13) Remove the cover frame (A).

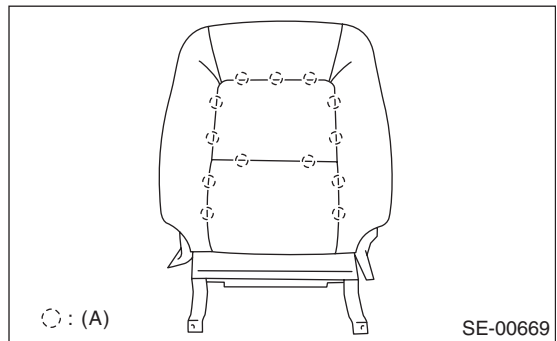


14) Pull out the backrest frame assembly.

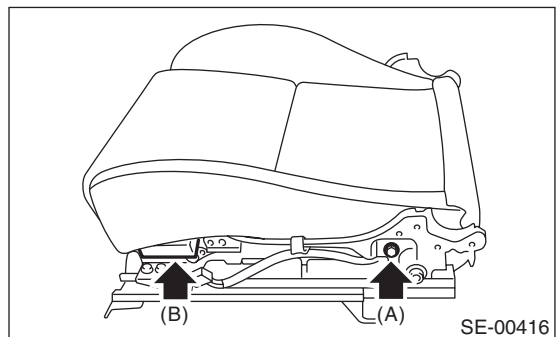
15) Remove the side airbag module.



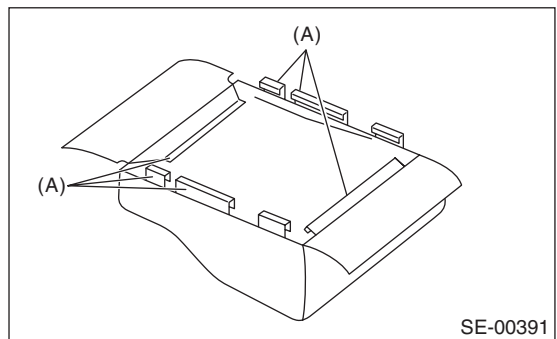
16) Remove the hog rings (A) on the surface side of backrest, and then remove the backrest cover from backrest.



17) Remove the bolt (A) and hook (B) on left and right side, and then remove the seat cushion frame from seat rail assembly.



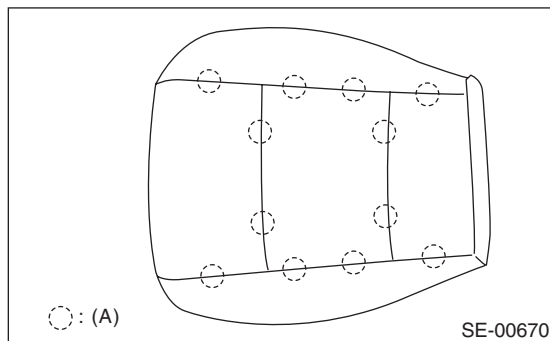
18) Remove the hooks (A), and then remove the seat cushion from seat cushion frame.



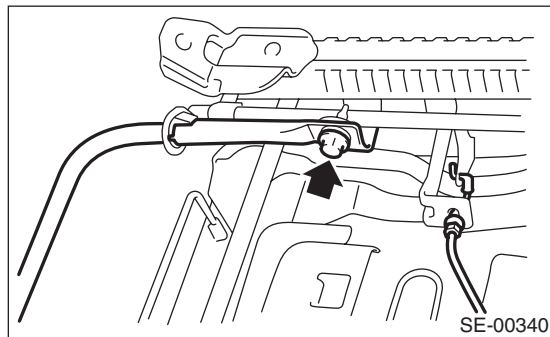
Front Seat

SEATS

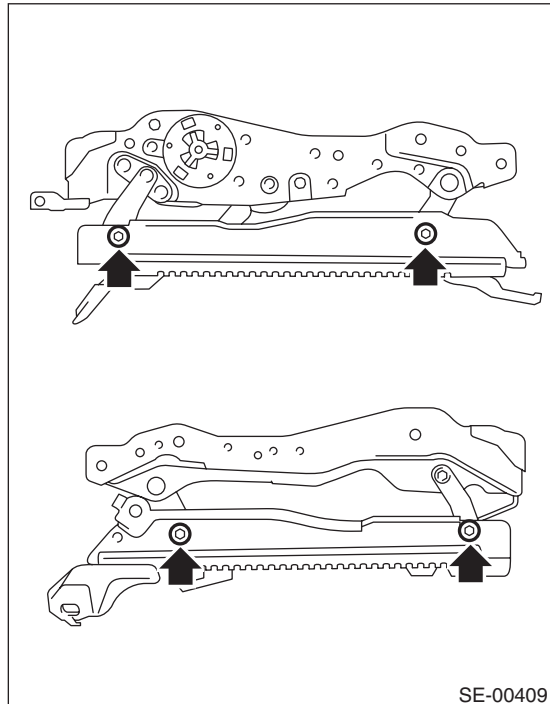
19) Remove the hog rings (A), and then remove the seat cushion cover from seat cushion pad.



20) Remove the bolt of the sliding adjustment bar and connecting wire.



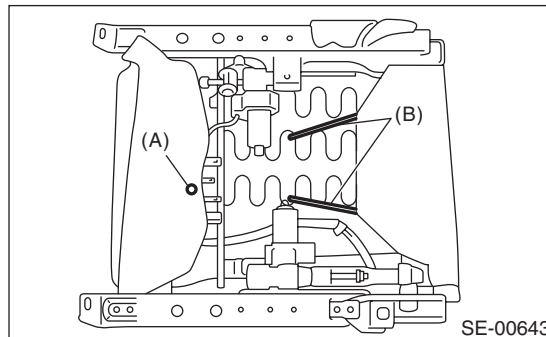
21) Remove the bolts, then remove the slide rail.



Power seat

1) Remove the seat from vehicle. <Ref. to SE-9, DRIVER'S SEAT, REMOVAL, Front Seat.>

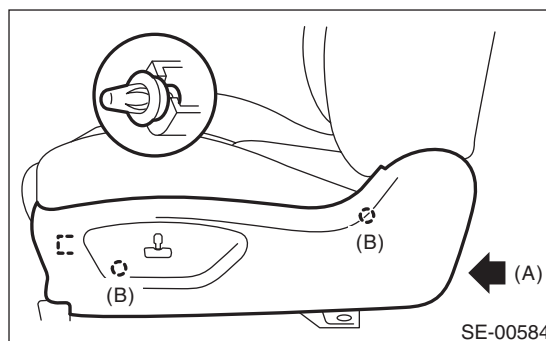
2) Remove the clip (A) and straps (B) on the back of seat cushion.



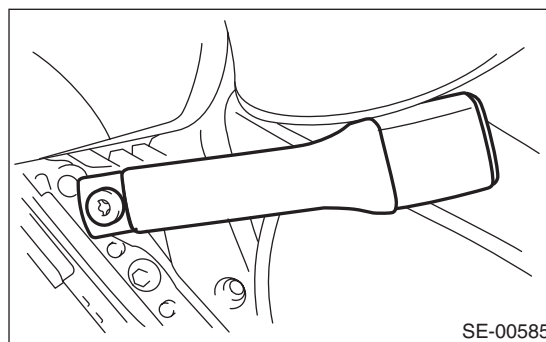
3) Disconnect the following connectors from the backside of seat cushion.

- Side airbag
- Seat position sensor
- Seat heater
- Power seat
- Seat belt

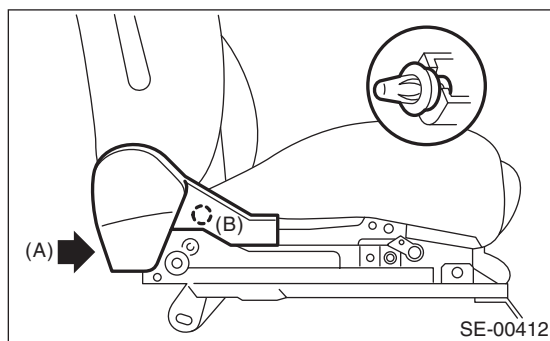
4) Remove the screw (A) and clips (B), and then disconnect the seat switch connector to remove seat side cover outside.



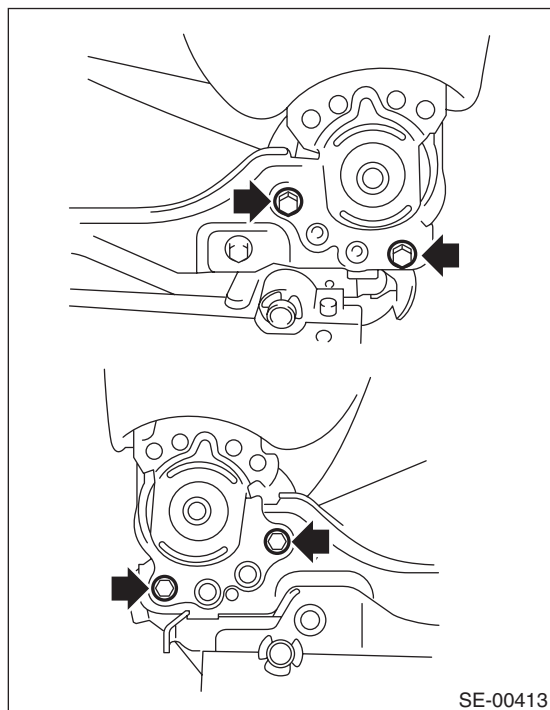
5) Remove the TORX® bolt, and then remove the inner seat belt assembly.



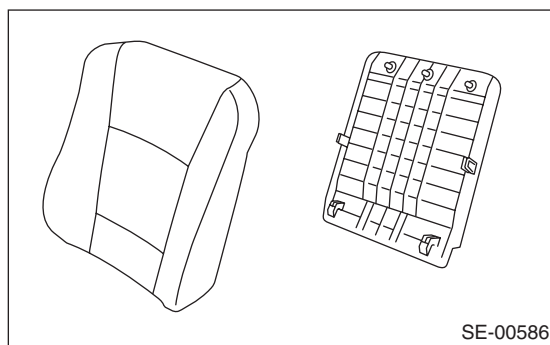
6) Remove the screw (A) and clip (B), and then remove the seat side cover inside.



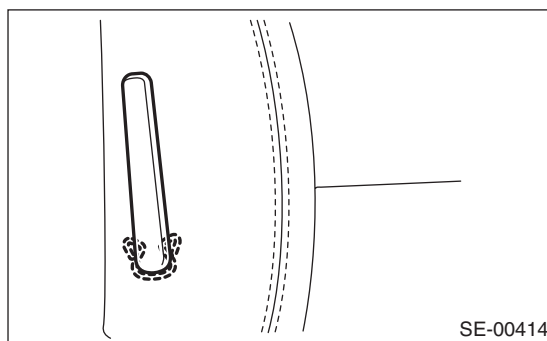
7) Remove the two bolts from the reclining hinge on each left and right side.



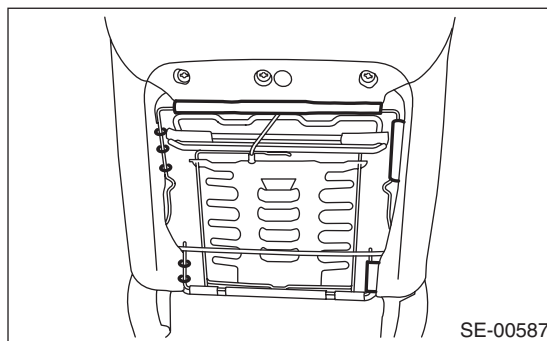
8) Remove the clips and hooks, and then detach the backrest back cover.



9) Remove the lock clip, and then remove the lumbar support lever.

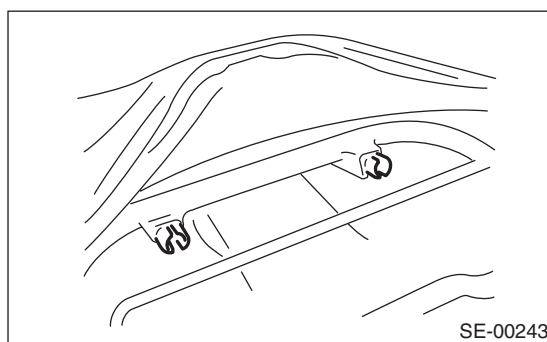


10) Remove the hooks and hog rings at the rear side of backrest.

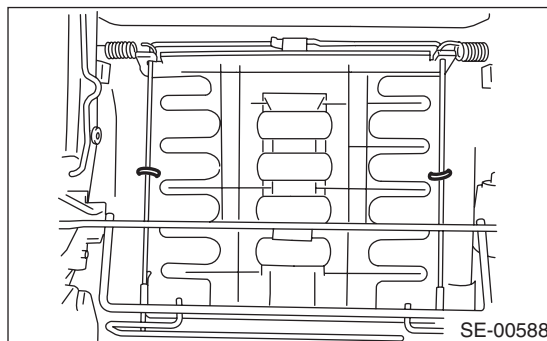


11) Remove the headrest lock bushing.

NOTE:
Push outside to remove it from the inside of seat.



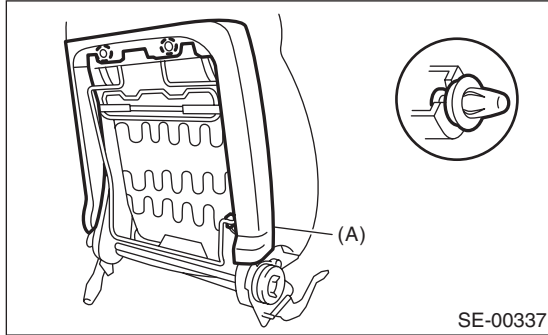
12) Remove the hog rings.



Front Seat

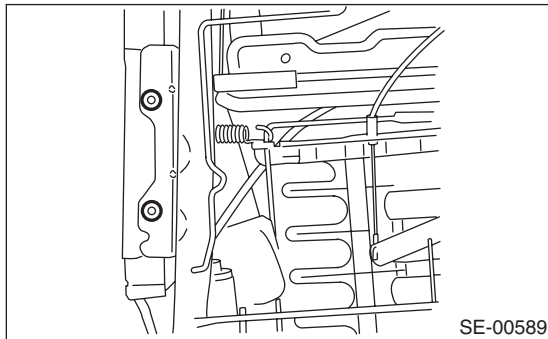
SEATS

13) Remove the cover frame (A).

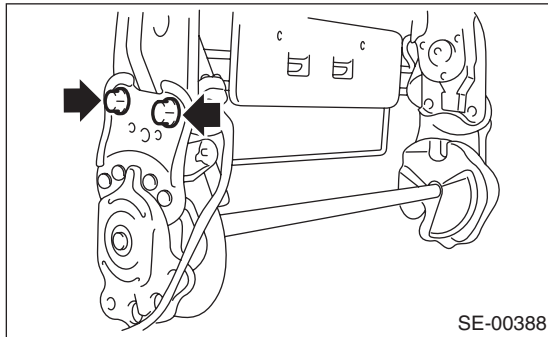


14) Pull out the backrest frame assembly.

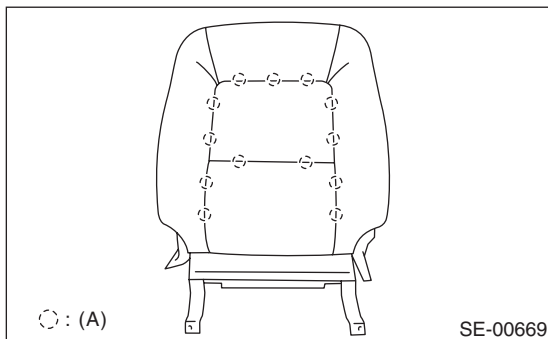
15) Remove the side airbag module.



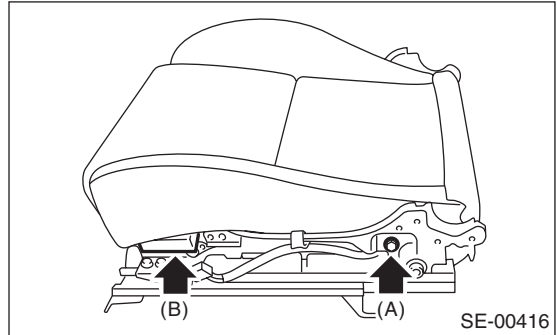
16) Remove the two bolts on each left and right side, and then remove the reclining motor assembly.



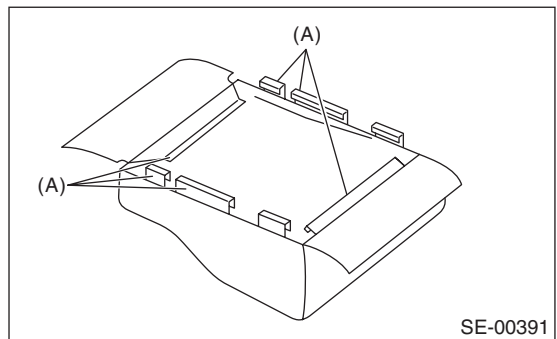
17) Remove the hog rings (A) on the surface side of backrest, and then remove the backrest cover from backrest.



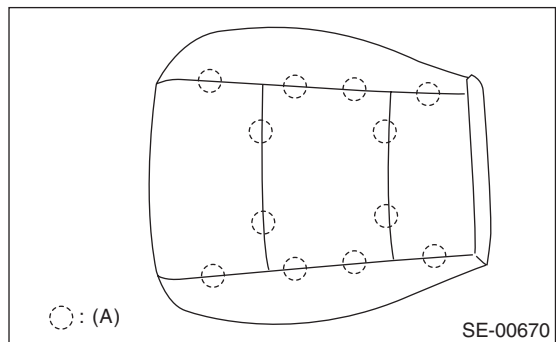
18) Remove the bolt (A) and hook (B) on left and right side, and then remove the seat cushion frame from seat rail assembly.



19) Remove the hooks (A), and then remove the seat cushion from seat cushion frame.



20) Remove the hog rings (A), and then remove the seat cushion cover from seat cushion pad.



2. PASSENGER'S SEAT

CAUTION:

- If the seat cushion cover is removed or replaced, make sure to perform passenger detection system adjustment after installing the seat to the vehicle. <Ref. to OD(diag)-17, SYSTEM CALIBRATION (REZEROING), OPERATION, Subaru Select Monitor.>

Failure to do so may cause improper activation of passenger's airbag.

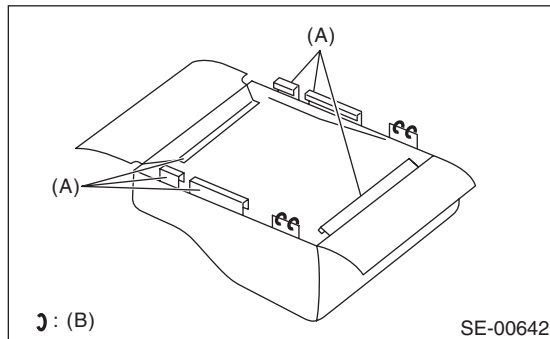
- The passenger detection system (passenger seat only) control unit, passenger detection sensor, seat cushion pad and seat cushion frame are considered as a single seat cushion pad and frame assembly. Never remove the passenger detection control unit or the pressure sensor from the seat cushion frame.
- If the seat cushion cover is removed, make sure to replace the hang wire on the seat cushion side with a new wire.

1) Remove the seat from vehicle. <Ref. to SE-9, PASSENGER'S SEAT, REMOVAL, Front Seat.>

2) Refer to the disassembly procedures for the driver's seat.

NOTE:

The back side of the seat cushion is affixed by a hook (A) and hog ring (B).



D: ASSEMBLY

CAUTION:

When the backrest cover is not installed securely, the side airbag module may not be deployed properly, therefore keep strictly to the following procedure.

- Be careful not to stain or damage the backrest cover during assembly.
- The back rest cover of the side airbag module are to be tightened and fixed together with the attachment nuts for the side airbag module assembly.
- Always use new hog rings.
- Secure the hog ring using hog ring pliers.
- Install the hog rings to the specified points securely and make sure that no wrinkle or twisting on backrest cover.

1. DRIVER'S SEAT

NOTE:

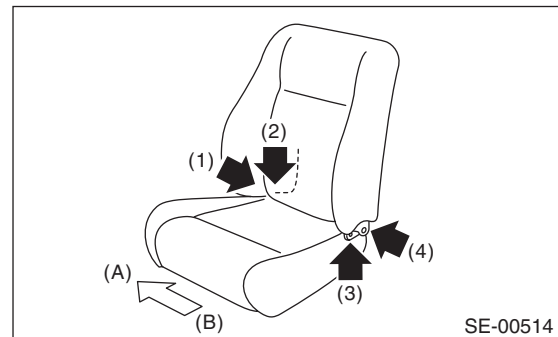
- When installing the inner seat belt assembly, follow the procedure described in the seat belt section. <Ref. to SB-11, INNER SEAT BELT ASSEMBLY, INSTALLATION, Front Seat Belt.>

- Install the backrest assembly and seat cushion assembly in the following procedure.

1) Temporarily tighten the four reclining hinge bolts.

2) Place the backrest in the most upright position.

3) Tighten the reclining hinge bolts in the order of (1) through (4), in two or three steps by gradually increasing the torque until they reach the specified torque.



(A) Vehicle inside

(B) Vehicle outside

4) Assemble in the reverse order of disassembly.

Front Seat

SEATS

2. PASSENGER'S SEAT

CAUTION:

Make sure to adhere to the following rules when assembling the passenger seat. Improper work procedures can cause the passenger detection system to not operate properly.

- If the seat cushion cover is removed or replaced, make sure to perform passenger detection system adjustment after installing the seat to the vehicle. <Ref. to OD(diag)-17, SYSTEM CALIBRATION (REZEROING), OPERATION, Subaru Select Monitor.>

Failure to do so may cause improper activation of passenger's airbag.

- The passenger detection system (passenger seat only) control unit, passenger detection sensor, seat cushion pad and seat cushion frame are considered as a single seat cushion pad and frame assembly. Never remove the passenger detection control unit or the pressure sensor from the seat cushion frame.

- If the seat cushion cover is removed, make sure to replace the hang wire on the seat cushion side with a new wire.

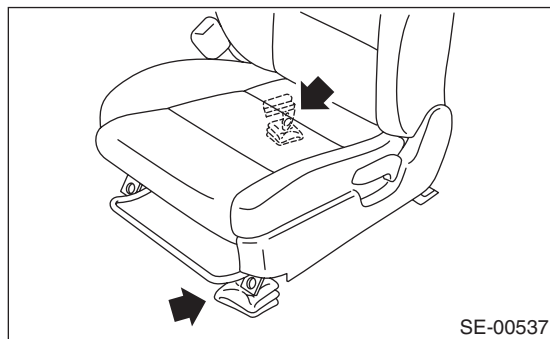
- Make sure to install the hog rings/clips to the specified locations. Do not reuse hog rings.

Assemble in the reverse order of disassembly.

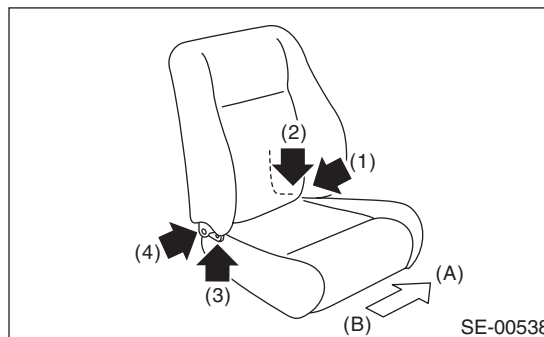
1) Assemble the seat cushion in the reverse order of disassembly.

2) Assemble the backrest in the reverse order of disassembly.

3) When installing the backrest assembly to the seat cushion assembly, fill the gap in the front side of slide rail LH and in the rear side of slide rail RH with cloth etc. in order to stabilize the seat cushion assembly.



4) Temporarily tighten the reclining hinge bolts in the order of (1) through (4) to an extent that the seat backrest assembly is not held securely.



(A) Vehicle inside

(B) Vehicle outside

5) Use the reclining lever to place the backrest in the most upright position, and check the first lock position of recliner.

6) Hold the seat cushion assembly securely, and tighten the reclining hinge bolts in the order described above until they reach the specified torque.

CAUTION:

Do not touch the backrest assembly when tightening the reclining hinge bolts.

7) Assemble each harness, inner belt assembly and each cover in the reverse order of removal.

Tightening torque:

Refer to "COMPONENT" of "General Description". <Ref. to SE-2, COMPONENT, General Description.>

E: INSPECTION

Check that no tear or fray on the backrest cover and seat cushion cover.

NOTE:

If the door side of the backrest cover is torn or frayed, the side airbag may not be deployed properly. In this case, replace the backrest cover.