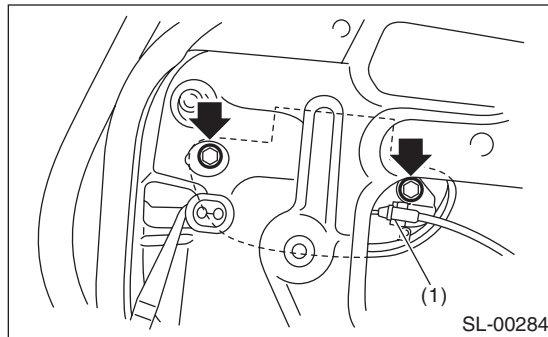


## 10.Rear Outer Handle

### A: REMOVAL

- 1) Raise the rear door glass to the top position.
- 2) Remove the rear door trim. <Ref. to EI-48, REMOVAL, Door Trim.>
- 3) Remove the sealing cover. <Ref. to EB-23, REMOVAL, Rear Sealing Cover.>
- 4) Remove the rear door latch assembly. <Ref. to SL-40, REMOVAL, Rear Door Latch and Door Lock Actuator Assembly.>
- 5) Pull out the cable from the cable clamp (1) of the outer handle.
- 6) Remove two bolts.



- 7) Remove the rear outer handle.

### CAUTION:

**Do not apply excessive force to remove the handle from the door panel. The door panel may become deformed.**

### B: INSTALLATION

Install in the reverse order of removal.

### NOTE:

Make sure that the outer handle works correctly after installation.

### C: INSPECTION

- 1) Check the cable for deformation. When it is deformed, straighten it because failure operations may occur. When it is unrepairable, replace the rear door latch and door lock actuator assembly.
- 2) Check the handle and cable for smooth operation.