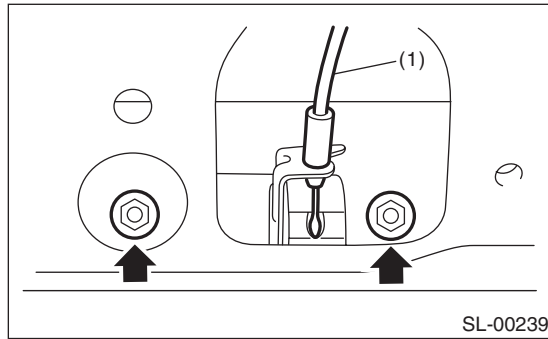


13.Rear Gate Outer Handle

A: REMOVAL

- 1) Remove the rear gate trim. <Ref. to EI-66, REMOVAL, Rear Gate Trim.>
- 2) Remove the rear gate garnish. <Ref. to EI-73, REMOVAL, Rear Gate Garnish.>
- 3) Remove the two nuts, and take out the rear gate outer handle.
- 4) Remove cable (1) of the rear gate handle.



B: INSTALLATION

Install in the reverse order of removal.

NOTE:

Make sure that the outer handle works correctly after installation.

C: INSPECTION

- 1) Check the cable of the rear gate handle for deformation.
- 2) Check the rear gate outer handle and cable of the rear gate handle for smooth operation.