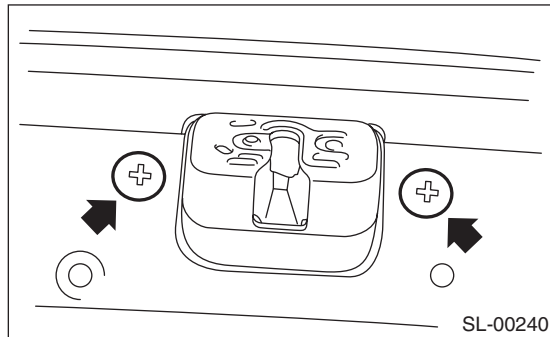


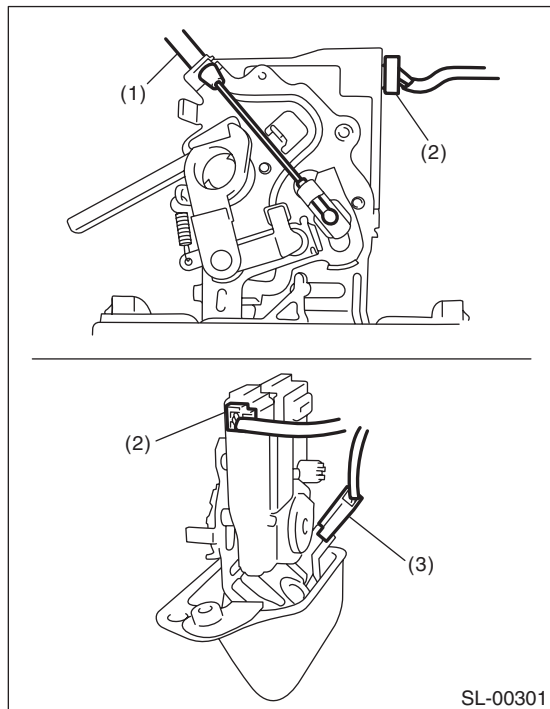
14. Rear Gate Latch Assembly

A: REMOVAL

- 1) Disconnect the ground cable from battery.
- 2) Remove the rear gate trim. <Ref. to EI-66, REMOVAL, Rear Gate Trim.>
- 3) Remove the two screws.



- 4) Disconnect connectors and cables of the rear gate handle.



- (1) Cable
- (2) Rear gate lock actuator connector
- (3) Rear gate latch switch connector

- 5) Remove the rear gate latch assembly.

B: INSTALLATION

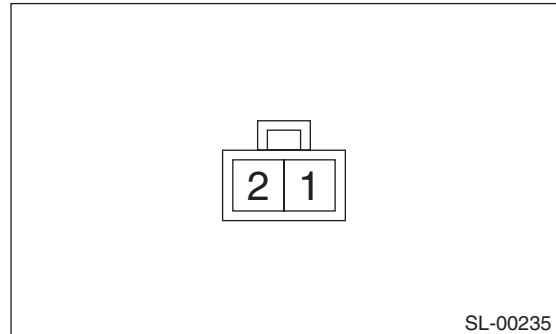
Install in the reverse order of removal.

NOTE:

Make sure the lock works correctly after installation.

C: INSPECTION

- 1) Disconnect the rear gate lock actuator harness connector.
- 2) Connect the battery to rear gate lock actuator terminals.



Terminal No.	Actuator operation
No. 2 (+) and No. 1 (-)	Unlock → Lock
No. 1 (+) and No. 2 (-)	Lock → Unlock

Replace the rear gate latch assembly if faulty.

- 3) Check the cable of the rear gate handle for deformation.
- 4) Check the lever and cable of the rear gate handle for smooth operation.