

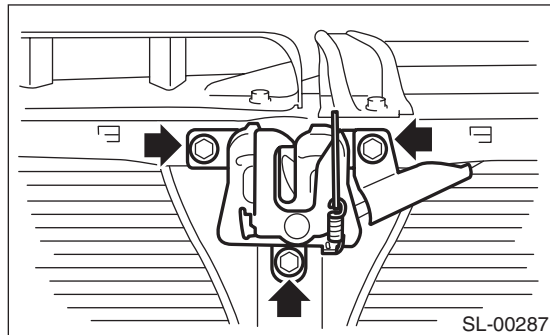
Front Hood Lock Assembly

SECURITY AND LOCKS

17. Front Hood Lock Assembly

A: REMOVAL

- 1) Open the front hood.
- 2) Remove the bolts, and then detach the front hood lock assembly.
- 3) Remove the cable from lock assembly.



B: INSTALLATION

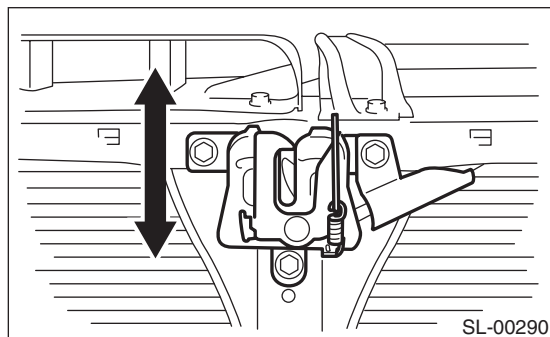
Install in the reverse order of removal.

NOTE:

- Apply grease to the movable part.
- Make sure the cable works correctly after installation.

C: ADJUSTMENT

Loosen the bolt, and adjust the lock assembly while moving it up and down.



D: INSPECTION

- 1) Check the striker for deformation or abnormal wear.
- 2) Check the safety lever for improper movement.
- 3) Check other levers and springs for rust formation or unsmooth movement.