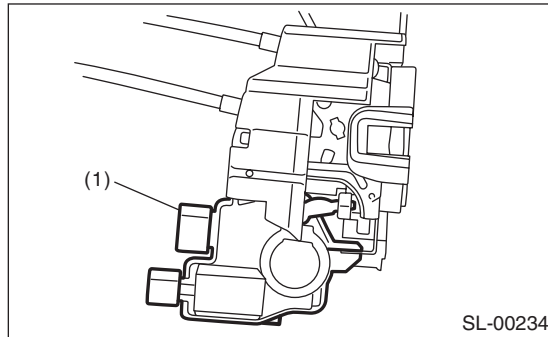


## 8. Front Door Lock Actuator

### A: REMOVAL

- 1) Remove the front door latch and door lock actuator assembly. <Ref. to SL-36, REMOVAL, Front Door Latch and Door Lock Actuator Assembly.>
- 2) Remove the pawl of front door latch security cover, and then remove the cover.
- 3) Remove the screw from front door latch and door lock actuator, and then remove the door lock actuator.



(1) Front door lock actuator

### B: INSTALLATION

Install in the reverse order of removal.

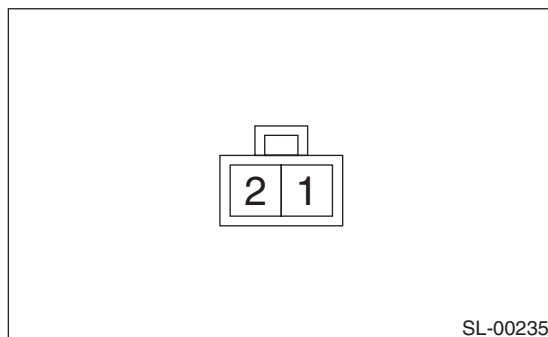
#### NOTE:

Make sure the lock works correctly after installation.

### C: INSPECTION

- 1) Disconnect the door lock actuator harness connector.
- 2) Connect the battery to door lock actuator terminals.

If defective, replace the door lock actuator.



Terminal No.	Actuator operation
No. 2 (+) and No. 1 (-)	Unlock → Lock
No. 1 (+) and No. 2 (-)	Lock → Unlock