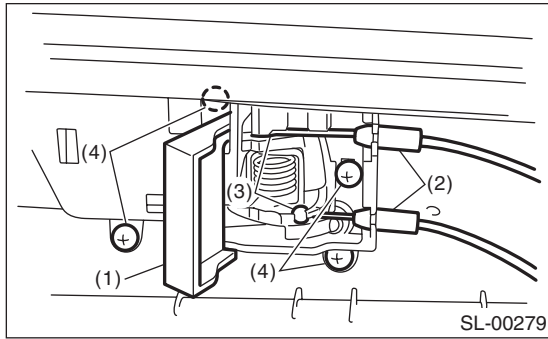


9. Rear Inner Remote

A: REMOVAL

- 1) Remove the rear door trim. <Ref. to EI-48, REMOVAL, Door Trim.>
- 2) Remove the back cover (1) of inner remote.
- 3) Remove the cable (2).
- 4) Remove the cable end ball (3).
- 5) Remove screws (4), and remove the inner remote handle.



B: INSTALLATION

Install in the reverse order of removal.

NOTE:

Make sure the inner remote works correctly after installation.

C: INSPECTION

- 1) Check the cable of the door opener and door lock for deformation. When it is deformed, straighten it because failure operations may occur. When it is unrepairable, replace the rear door latch and door lock actuator assembly.
- 2) Check the handle and cable for smooth operation.
- 3) Check the child safety lock for correct operations.