

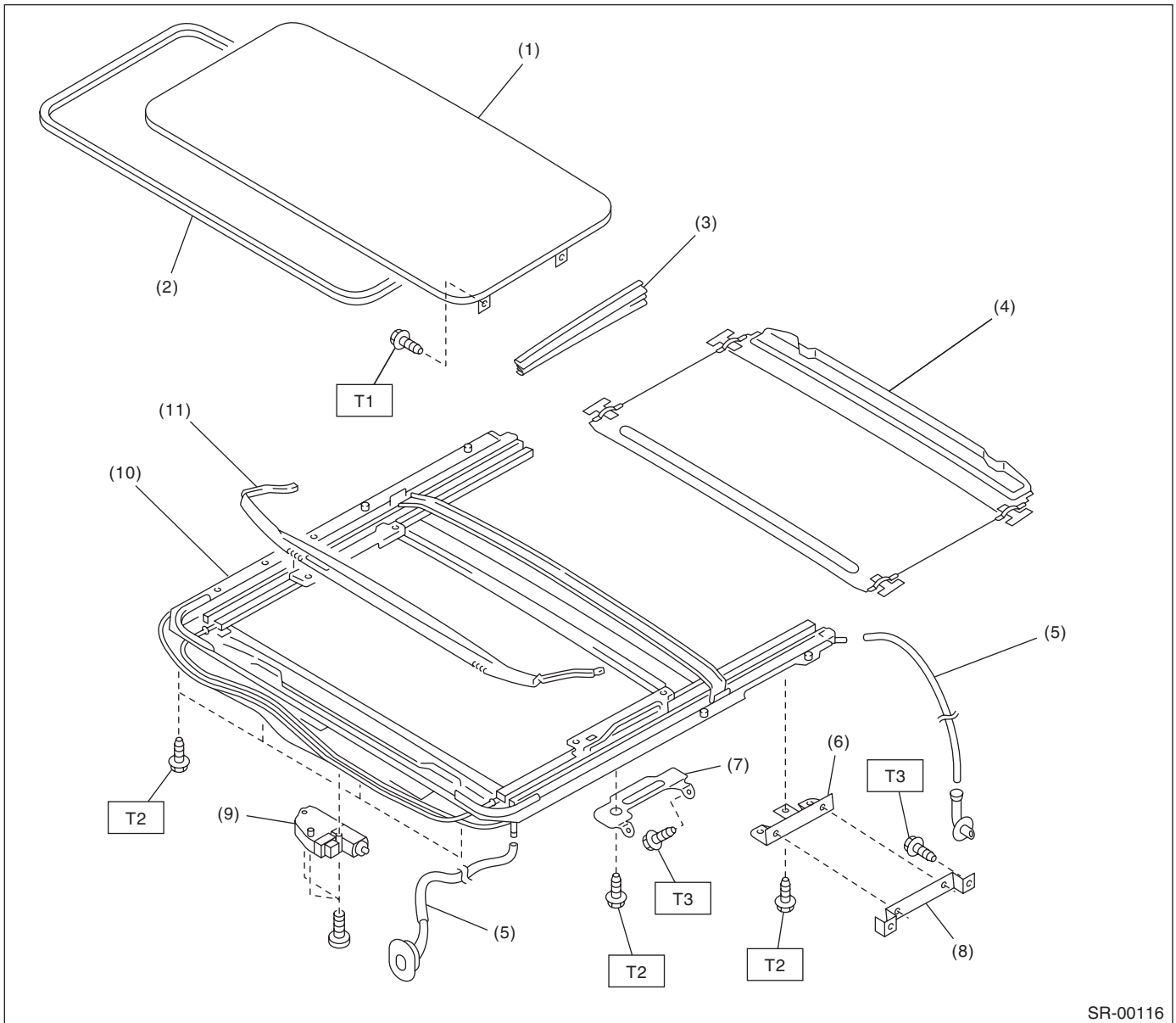
General Description

SUNROOF/T-TOP/CONVERTIBLE TOP (SUNROOF)

1. General Description

A: COMPONENT

1. SEDAN MODEL



SR-00116

- | | |
|--------------------------------|---------------------------------|
| (1) Glass lid | (7) Assist rail bracket (Front) |
| (2) Weather strip | (8) Sunroof bracket (Rear) |
| (3) Cover | (9) Motor ASSY |
| (4) Sunshade | (10) Frame ASSY |
| (5) Drain tube | (11) Deflector |
| (6) Assist rail bracket (Rear) | |

Tightening torque: N·m (kgf·m, ft·lb)

T1: 4.5 (0.46, 3.3)

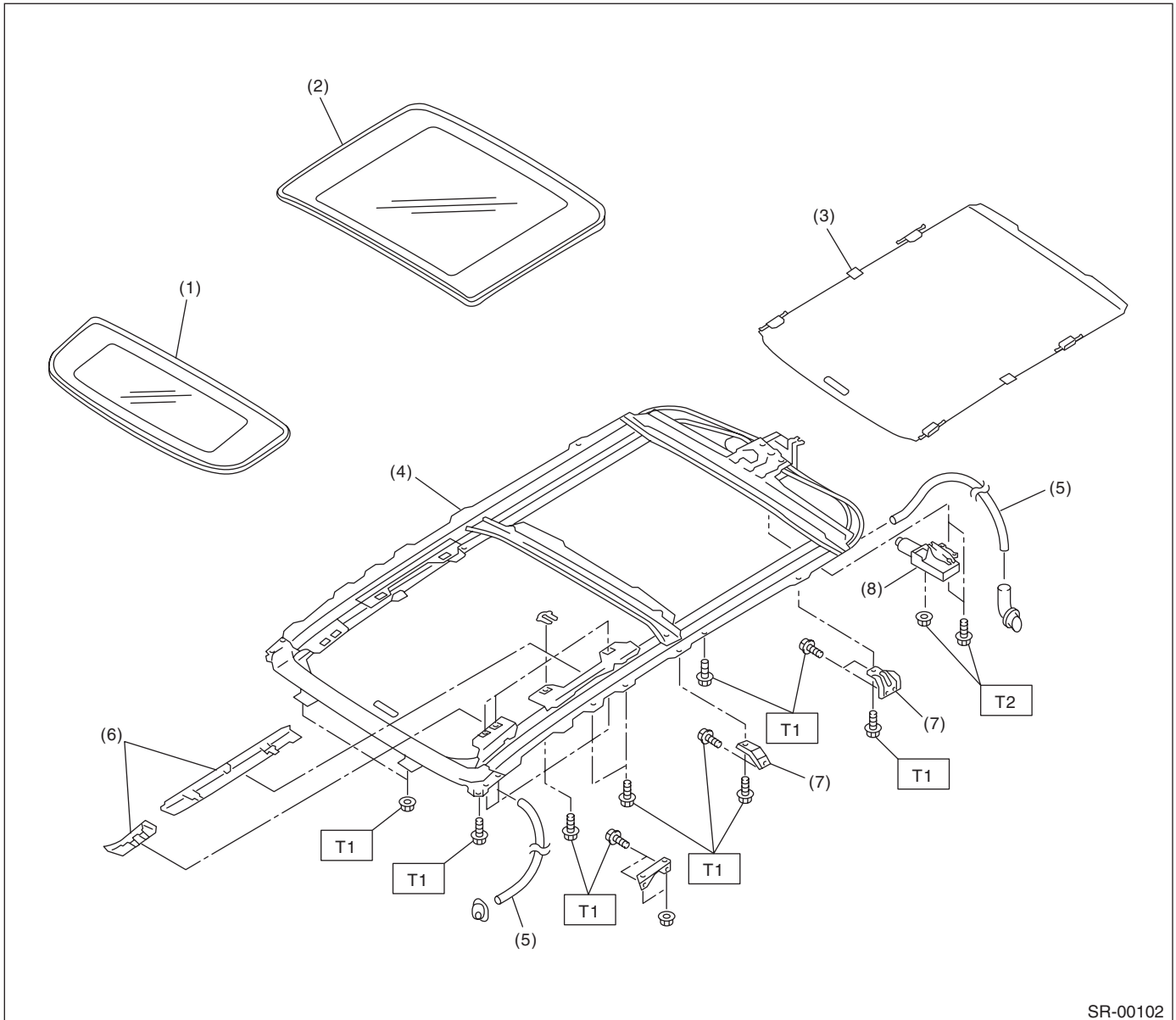
T2: 6.0 (0.61, 4.4)

T3: 7.5 (0.76, 5.3)

General Description

SUNROOF/T-TOP/CONVERTIBLE TOP (SUNROOF)

2. WAGON MODEL



- | | |
|-----------------------|----------------------------|
| (1) Glass lid (Front) | (5) Drain tube |
| (2) Glass lid (Rear) | (6) Cover (Front and rear) |
| (3) Sunshade | (7) Frame bracket |
| (4) Frame ASSY | (8) Motor ASSY |

Tightening torque: N·m (kgf·m, ft·lb)

T1: 7.5 (0.76, 5.3)

T2: 4.5 (0.46, 3.0)

General Description

SUNROOF/T-TOP/CONVERTIBLE TOP (SUNROOF)

B: CAUTION

- Before disassembling or reassembling parts, always disconnect the battery ground cable from battery. When replacing the audio, control unit, and other parts provided with memory functions, record the memory contents before disconnecting the battery ground cable in order to prevent memory deletion.
- Reassemble the parts in the reverse order of disassembly unless otherwise indicated.
- Adjust parts to the given specifications.
- Connect the connectors securely for reassembly.
- After reassembly, make sure functional parts operate smoothly.

C: PREPARATION TOOL

1. GENERAL TOOL

TOOL NAME	REMARKS
Circuit tester	Used for measuring resistance and voltage.
TORX®T20	Used for removing and installing the sunroof motor, glass lid and sunshade. (Sedan model)