

# Glass Lid

SUNROOF/T-TOP/CONVERTIBLE TOP (SUNROOF)

## 3. Glass Lid

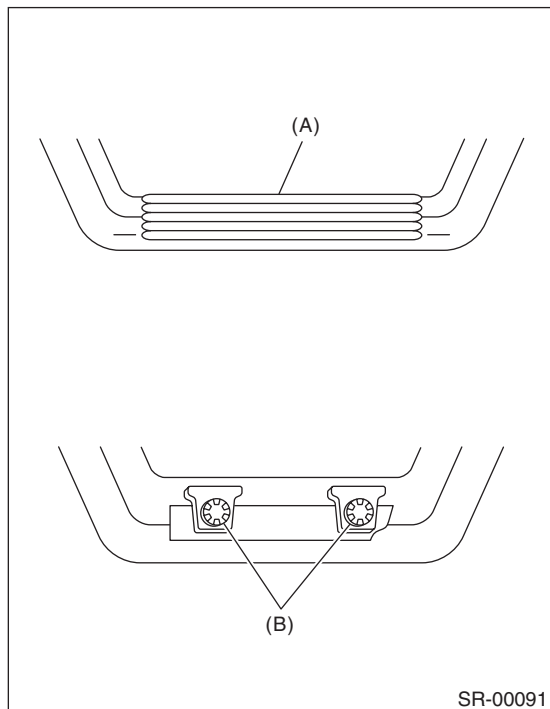
### A: REMOVAL

#### 1. SEDAN MODEL

- 1) Completely close the glass lid, and then open the sunshade.
- 2) Remove the cover (A), and then remove the TORX® bolts (B).

#### CAUTION:

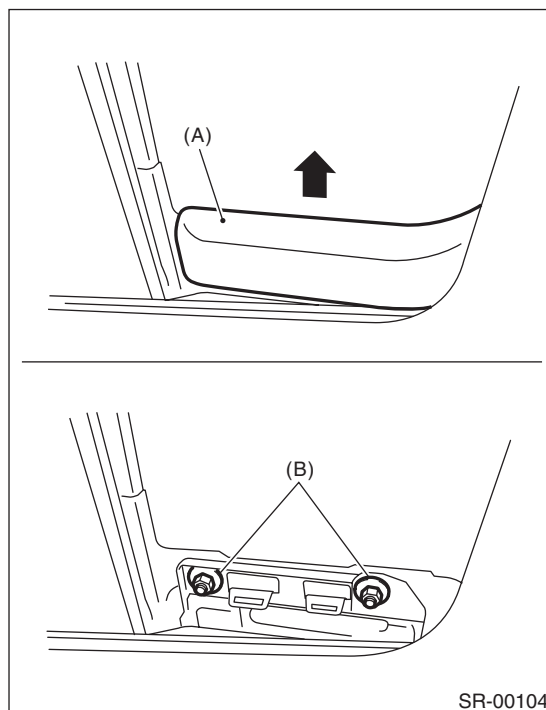
The thread locker is applied to the TORX® bolts, so use the new parts once they are removed.



- 3) Remove the glass lid carefully.

#### 2. WAGON MODEL (FRONT)

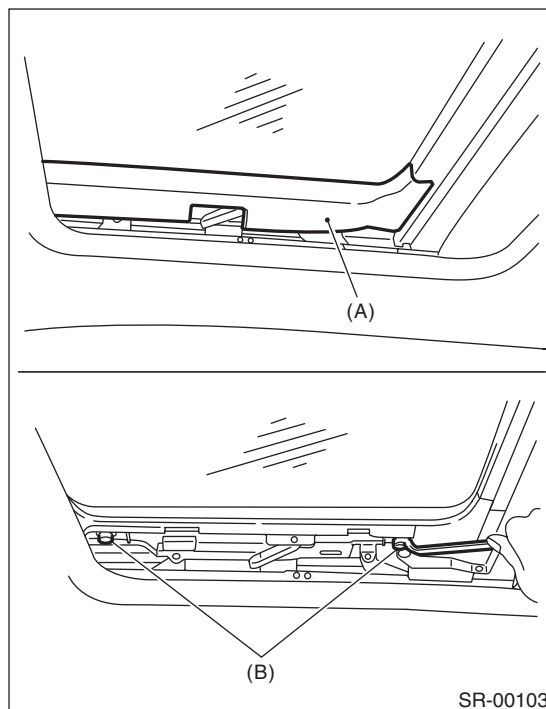
- 1) Open the sunshade.
- 2) Pull out the cover (A) towards the arrow mark, and remove the nuts (B).



- 3) Remove the glass lid (front) carefully.

#### 3. WAGON MODEL (REAR)

- 1) Tilt the glass lid (front) up, then open the sunshade.
- 2) Remove the cover (A), then remove the nuts (B).



- 3) Remove the glass lid carefully.

# Glass Lid

SUNROOF/T-TOP/CONVERTIBLE TOP (SUNROOF)

## B: INSTALLATION

Install in the reverse order of removal.

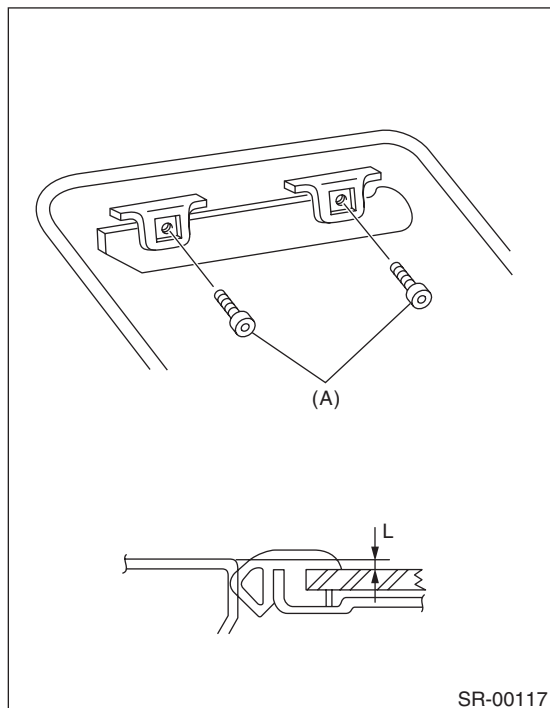
## C: ADJUSTMENT

### 1. SEDAN MODEL

Loosen the glass lid mounting TORX® bolts (A), and then adjust the height with moving the lid.

**Difference in height between glass lid and roof panel L:**

$2.0 \pm 1.0 \text{ mm (} 0.079 \pm 0.039 \text{ in)}$

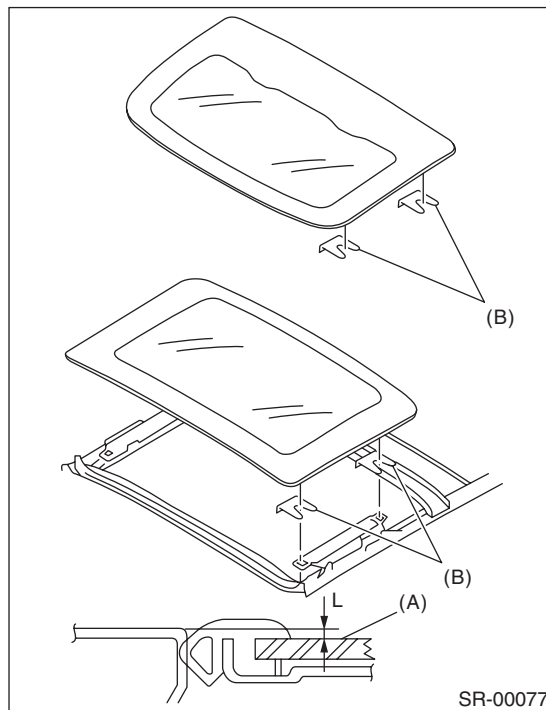


### 2. WAGON MODEL

Loosen the glass lid installation nuts, and adjust the height by adding (max: four pieces) or extracting (min: zero piece) shims (B) (standard: two pieces) between the glass lid (A) and body.

**Difference in height between glass lid and roof panel L:**

$2.0 \pm 1.0 \text{ mm (} 0.079 \pm 0.039 \text{ in)}$



# Glass Lid

## SUNROOF/T-TOP/CONVERTIBLE TOP (SUNROOF)

### D: FORCED DRIVE

If glass lid does not operate or is not supplied with power, move the glass lid using the hexagon wrench\*.

\*: L shape universal purpose hexagon wrench

Sedan model: bolt width 4 mm (0.16 in)

Wagon model: bolt width 5 mm (0.20 in)

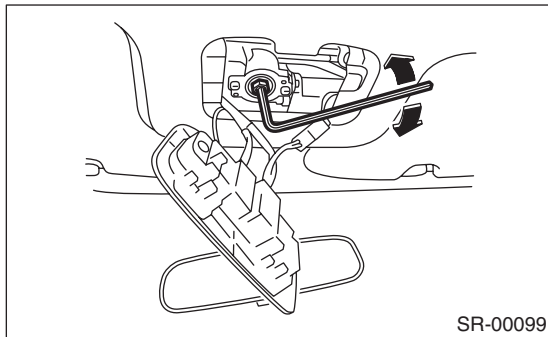
#### 1. SEDAN MODEL

1) Remove the spot map light. <Ref. to LI-30, REMOVAL, Spot Map Light.>

2) Insert the hexagon wrench securely until it touches the motor shaft edge.

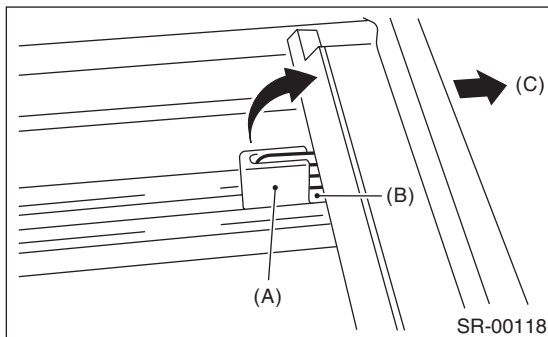
3) Turn the hexagon wrench, and move the glass lid.

- Turning right, the glass lid open.
- Turning left, the glass lid close.



#### 2. WAGON MODEL

1) Slide the slider (A) towards the rear of the vehicle (C), and remove the sun shade from the slider by raising the rod (B).

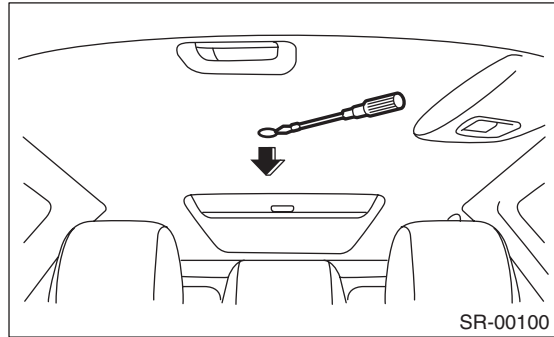


#### CAUTION:

Be careful not to damage the adjacent parts with the rod end when moving the glass lid with the hexagon wrench.

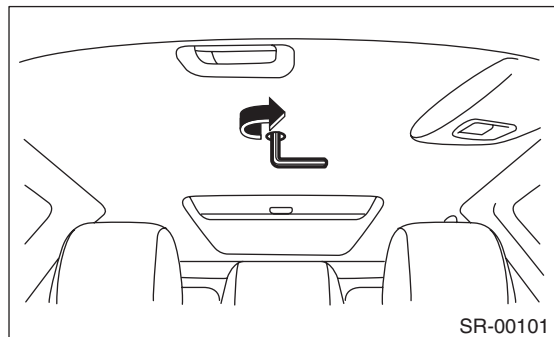
2) Slide the sunshade forward.

3) Remove the plug to the rear of the roof trim.



4) Insert the hexagon wrench securely until it touches the motor shaft edge.

5) Turn the wrench to right, and close the glass lid (front and rear).



#### CAUTION:

After a forced operation, make sure to perform an initialize operation. <Ref. to SR-5, INSPECTION, Sunroof Control System.>