

Sunroof Assembly

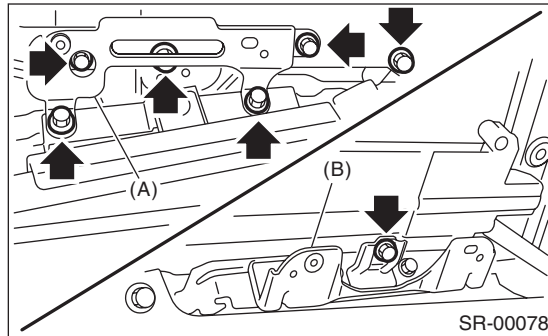
SUNROOF/T-TOP/CONVERTIBLE TOP (SUNROOF)

4. Sunroof Assembly

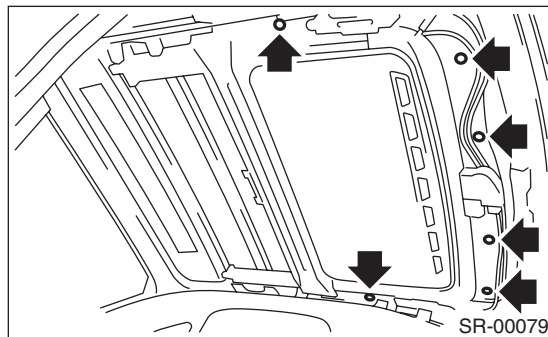
A: REMOVAL

1. SEDAN MODEL

- 1) Disconnect the ground cable from battery.
- 2) Remove the roof trim. <Ref. to EI-65, SEDAN MODEL, REMOVAL, Roof Trim.>
- 3) Disconnect the harness connector of sunroof motor.
- 4) Remove the glass lid. <Ref. to SR-6, SEDAN MODEL, REMOVAL, Glass Lid.>
- 5) Remove the drain tube from frame assembly.
- 6) Remove the assist rail bracket (front) (A) and sunroof bracket (rear) (B).

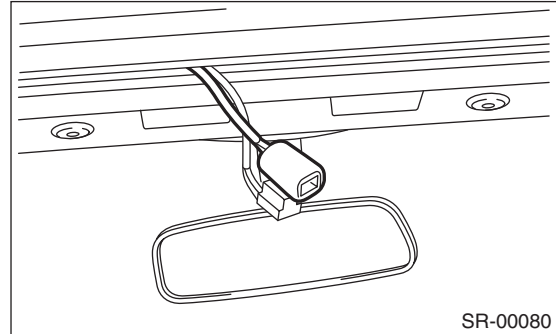


- 7) Remove the nuts, and then remove the frame assembly.

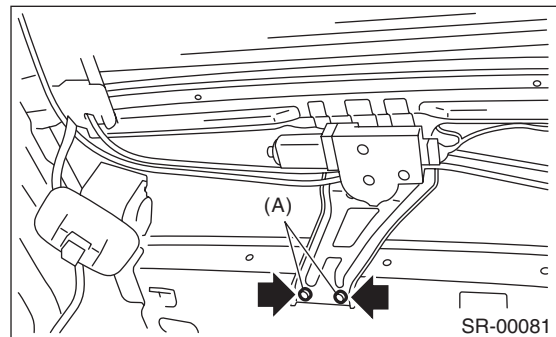


2. WAGON MODEL

- 1) Disconnect the ground cable from battery.
- 2) Remove the roof trim. <Ref. to EI-65, WAGON MODEL, REMOVAL, Roof Trim.>
- 3) Disconnect the harness connector of the motor assembly.



- 4) Remove the front and rear glass lid. <Ref. to SR-6, WAGON MODEL (FRONT), REMOVAL, Glass Lid.> <Ref. to SR-6, WAGON MODEL (REAR), REMOVAL, Glass Lid.>
- 5) Remove the attachment bolts (A) on the rear frame bracket of the frame assembly.

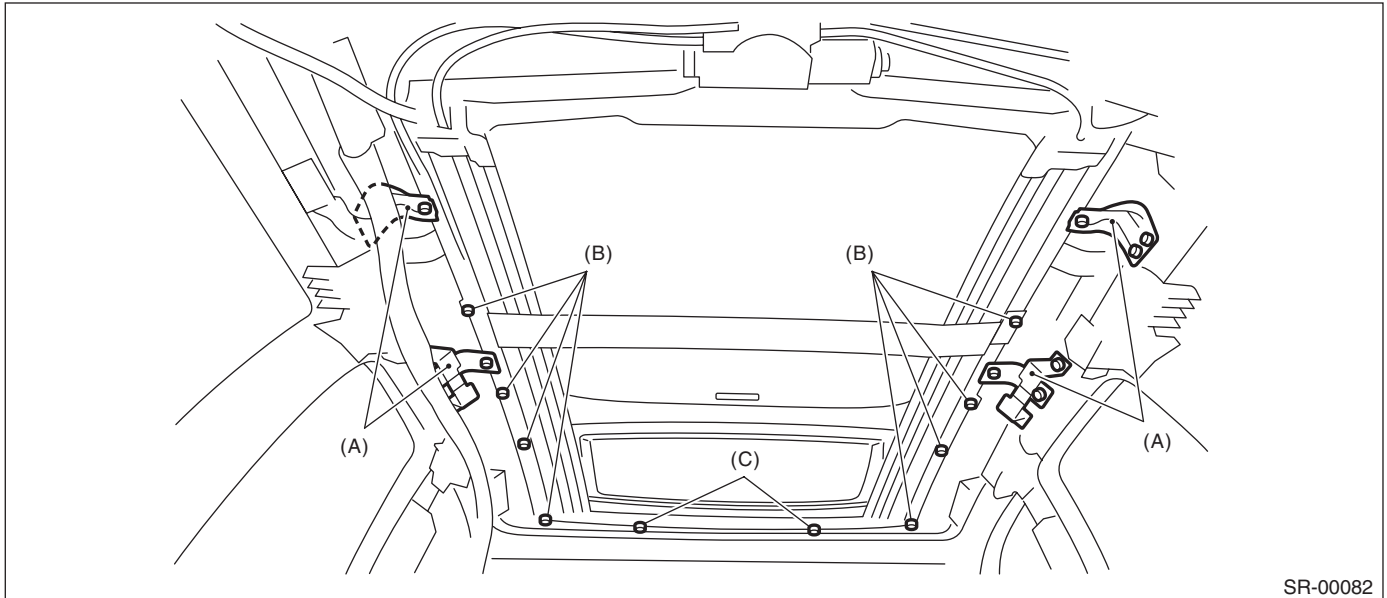


- 6) Remove the drain tube from frame assembly.
- 7) Remove the frame bracket (A).

Sunroof Assembly

SUNROOF/T-TOP/CONVERTIBLE TOP (SUNROOF)

8) Remove bolts (B) and nuts (C), then remove the frame assembly.



SR-00082

B: INSTALLATION

Install in the reverse order of removal.

CAUTION:

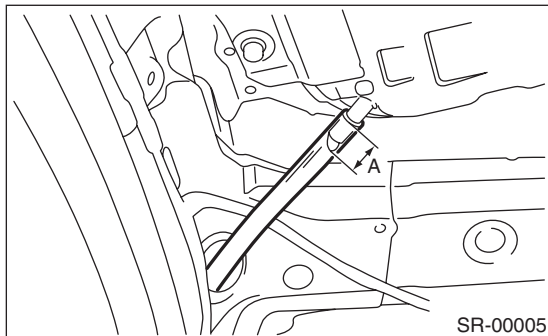
Be careful not to snag the harness.

NOTE:

- Be sure to connect the harness connector.
- When installing the drain tube, insert it securely into drain pipe.

Length A:

15 mm (0.59 in) or more



SR-00005

C: DISASSEMBLY

- 1) Remove the sunroof motor. <Ref. to SR-11, REMOVAL, Sunroof Motor.>
- 2) Remove the sunshade. <Ref. to SR-15, REMOVAL, Sunshade.>

D: ASSEMBLY

Assemble in the reverse order of disassembly.