

Sunroof Motor

SUNROOF/T-TOP/CONVERTIBLE TOP (SUNROOF)

5. Sunroof Motor

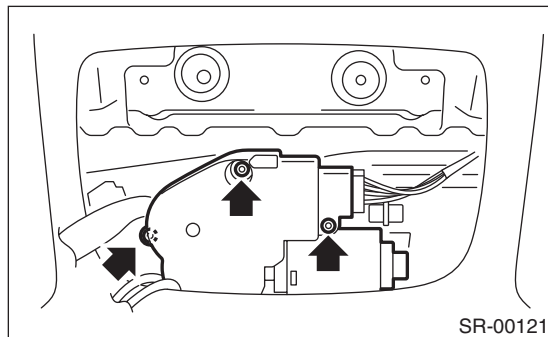
A: REMOVAL

CAUTION:

- When removing the clip, use great care not to damage the roof trim.
- Never rotate the sunroof motor after removing it.

1. SEDAN MODEL

- 1) Completely close the glass lid.
- 2) Disconnect the ground cable from battery.
- 3) Remove the spot map light. <Ref. to LI-30, REMOVAL, Spot Map Light.>
- 4) Disconnect the harness connector and remove the TORX® bolts, and then remove the motor assembly.

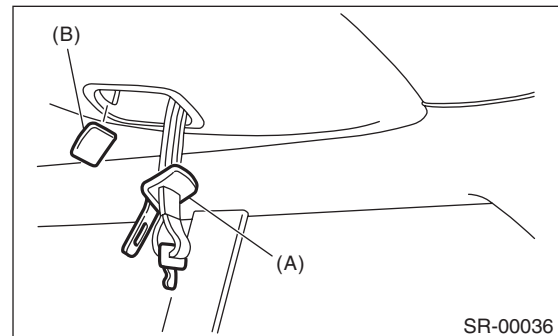


CAUTION:

When removing the motor assembly, secure the cable wires to prevent moves.

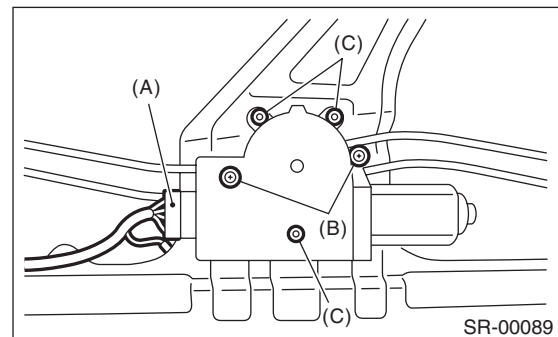
2. WAGON MODEL

- 1) Fully close the glass lid (front) and glass lid (rear).
- 2) Disconnect the ground cable from battery.
- 3) Remove the luggage room light. <Ref. to LI-32, ROOM LIGHT SWITCH, REMOVAL, Luggage Room Light.>
- 4) Remove the roof trim. <Ref. to EI-65, WAGON MODEL, REMOVAL, Roof Trim.>
- 5) Pass the seat belt tongue located on the center of the rear seat through the hole, and then pull it out to the opposite side of the trim.



- (A) Tongue
(B) Cover

- 6) Remove the clips, and let the rear end of the roof trim hang.
- 7) Disconnect the harness connector (A), and then remove the motor assembly mounting bolts (B) and nut (C).



Sunroof Motor

SUNROOF/T-TOP/CONVERTIBLE TOP (SUNROOF)

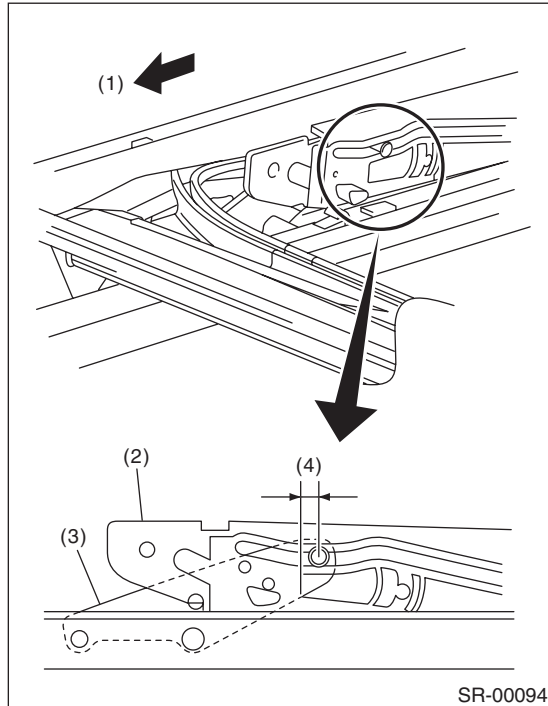
B: INSTALLATION

CAUTION:

When installing the motor assembly, be careful not to move the sunroof cable.

1. SEDAN MODEL

1) Align the coulisse assembly and link assembly in the same position.



- (1) Front
- (2) Coulisse ASSY
- (3) Link ASSY
- (4) 4.7 mm (0.185 in)

2) Install the motor assembly.

3) Connect the harness connector of motor assembly, and then connect the battery ground cable to battery.

4) Perform the initialize operation of motor.

(1) Tilt up the glass lid.

(2) Release the switch once, and press the tilt up switch again for 15 seconds.

(3) When the glass lid is raised a little and on tilt up position, release the switch for the moment.

(4) Keep pressing the tilt up switch within 5 seconds from releasing the switch, glass lid automatically performs the tilts down → slides open → slides close operation, then the initialize operation is completed.

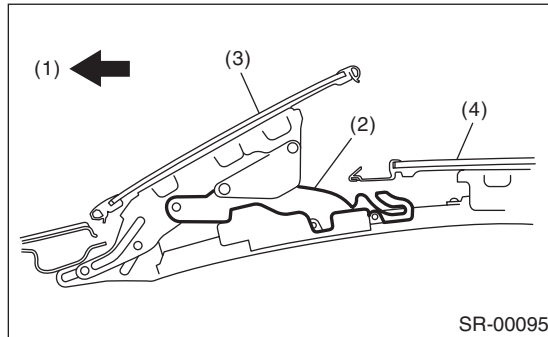
5) Check the operation of sunroof with following table.

Operation	Switch position
(1) Glass lid closes completely.	Close
(2) Glass lid tilt up to the top position.	Tilt up
(3) Glass lid closes completely.	Tilt down
(4) Glass lid opens completely.	Open
(5) Glass lid closes 150 mm (5.91 in) away from the completely closed position.	Close
(6) Glass lid closes completely.	Close

6) Install the trim in the reverse order of removal.

2. WAGON MODEL

Check that the wedge of the glass lid (front) bracket is in contact at the vehicle forward direction end. At this time, the lid is at the fully open position.



- (1) Front
- (2) Wedge
- (3) Glass lid (Front)
- (4) Glass lid (Rear)

- 1) Install the motor assembly.
- 2) After the installation of the motor assembly, check again that the wedge of glass lid (front) bracket part is in contact at the vehicle forward direction end.
- 3) Connect the harness connector of motor assembly, and then connect the battery ground cable to battery.
- 4) Perform the initialize operation of motor.
 - When replacing the motor, fully close the glass once and perform position initialization, because the movement of the glass lid will shift to brink operation.
 - When reusing the motor, operate the auto-reverse function five times in a row to shift to the brink operation, then perform the initialization of position.
- 5) Check the operation of sunroof with following table.

Operation	Switch position
(1) Glass lid (front) and glass lid (rear) closes completely.	Close
(2) Glass lid (front) tilts up to the ventilating position.	Open
(3) Glass lid (front) tilts up to top position, and glass lid (rear) opens to just before the completely open position.	Open
(4) Glass lid (rear) opens completely.	Open
(5) Glass lid (rear) closes at a position 150 mm (5.91 in) from rear end of the tilted up glass lid (front).	Close
(6) Glass lid (rear) closes completely, and glass lid (front) stops in the ventilating position.	Close
(7) Glass lid (front) lowers, and then glass lid (front) and glass lid (rear) closes completely.	Close

- 6) Install the trim in the reverse order of removal.