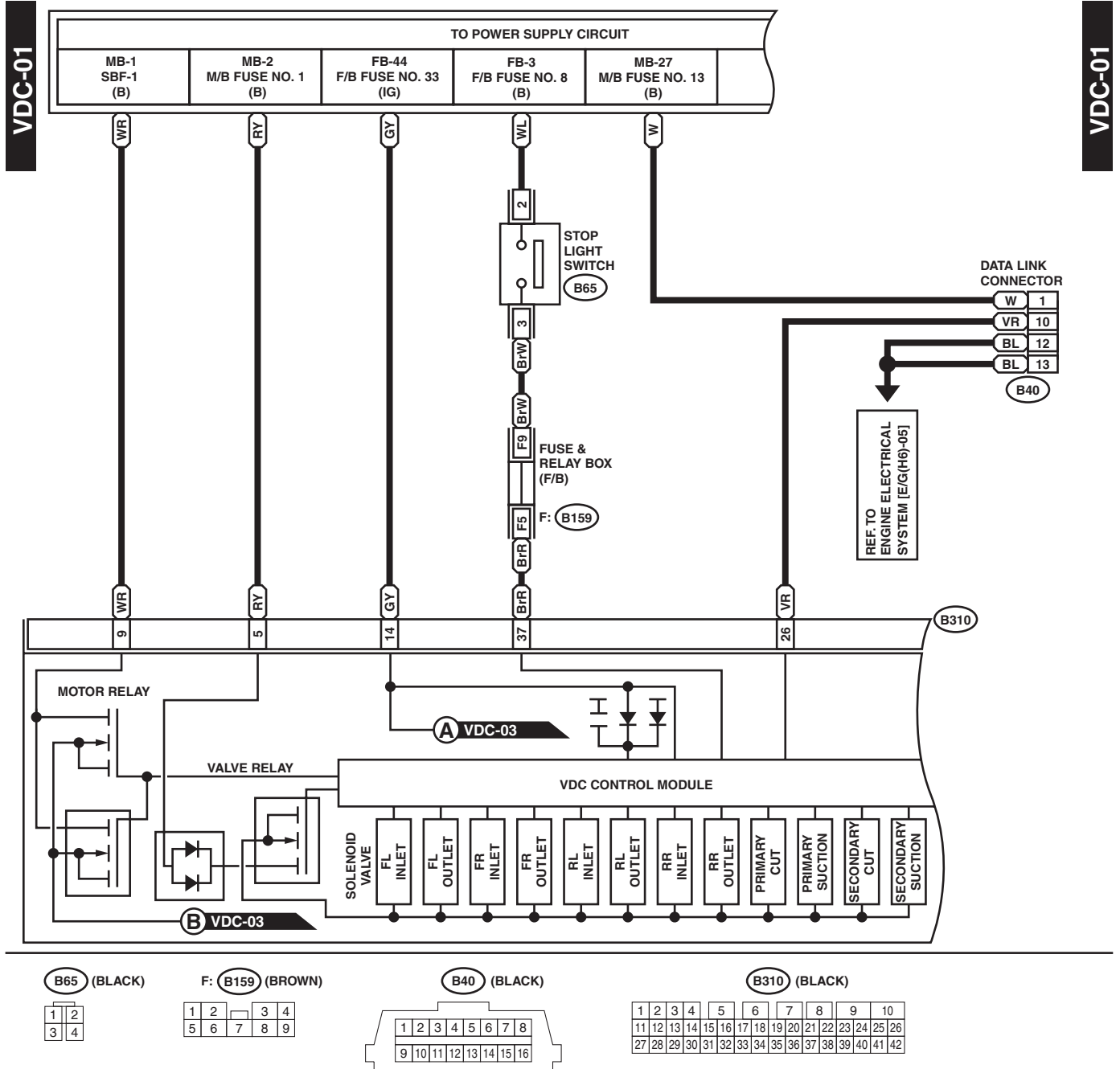


12. Vehicle Dynamics Control System

A: WIRING DIAGRAM

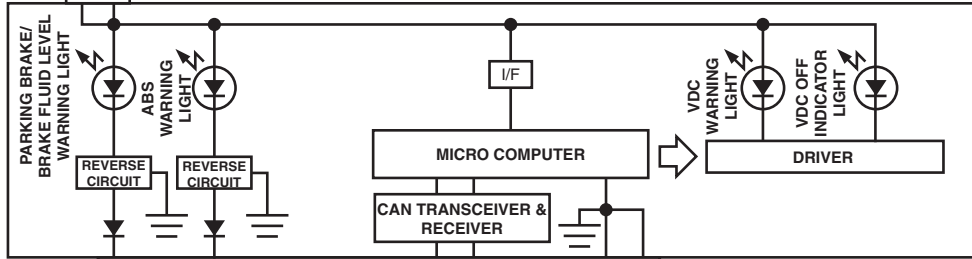
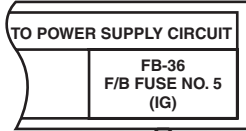


Vehicle Dynamics Control System

WIRING SYSTEM

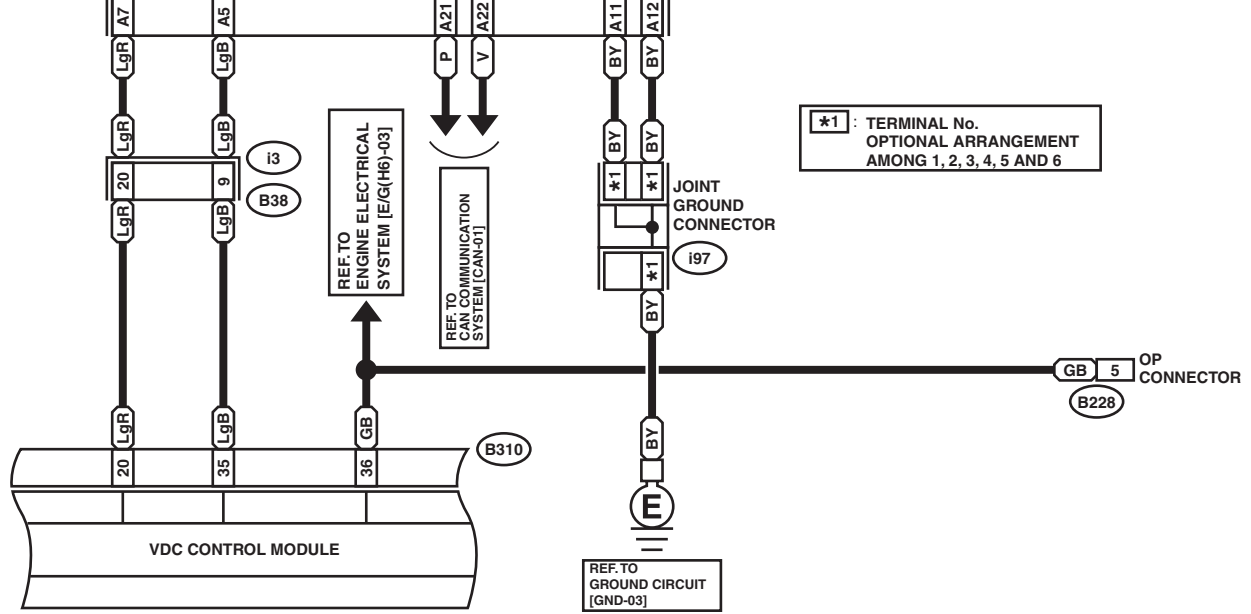
VDC-02

VDC-02



COMBINATION METER
A: i10

*1 : TERMINAL No. OPTIONAL ARRANGEMENT AMONG 1, 2, 3, 4, 5 AND 6



i97

B228

A: i10 (GREEN)

B38

B310 (BLACK)

1	2	3	4	5	6
7	8	9	10	11	12

1	2	3
4	5	6
7	8	9
10	11	12
13	14	15

1	2	3	4	5	6	7	8	9	10
11	12	13	14	15	16	17	18	19	20
21	22								

1	2	3	4	5	6	7	8	9
10	11	12	13	14	15	16	17	18
19	20							

1	2	3	4	5	6	7	8	9	10
11	12	13	14	15	16	17	18	19	20
21	22	23	24	25	26	27	28	29	30
31	32	33	34	35	36	37	38	39	40
41	42								

WI-09767

