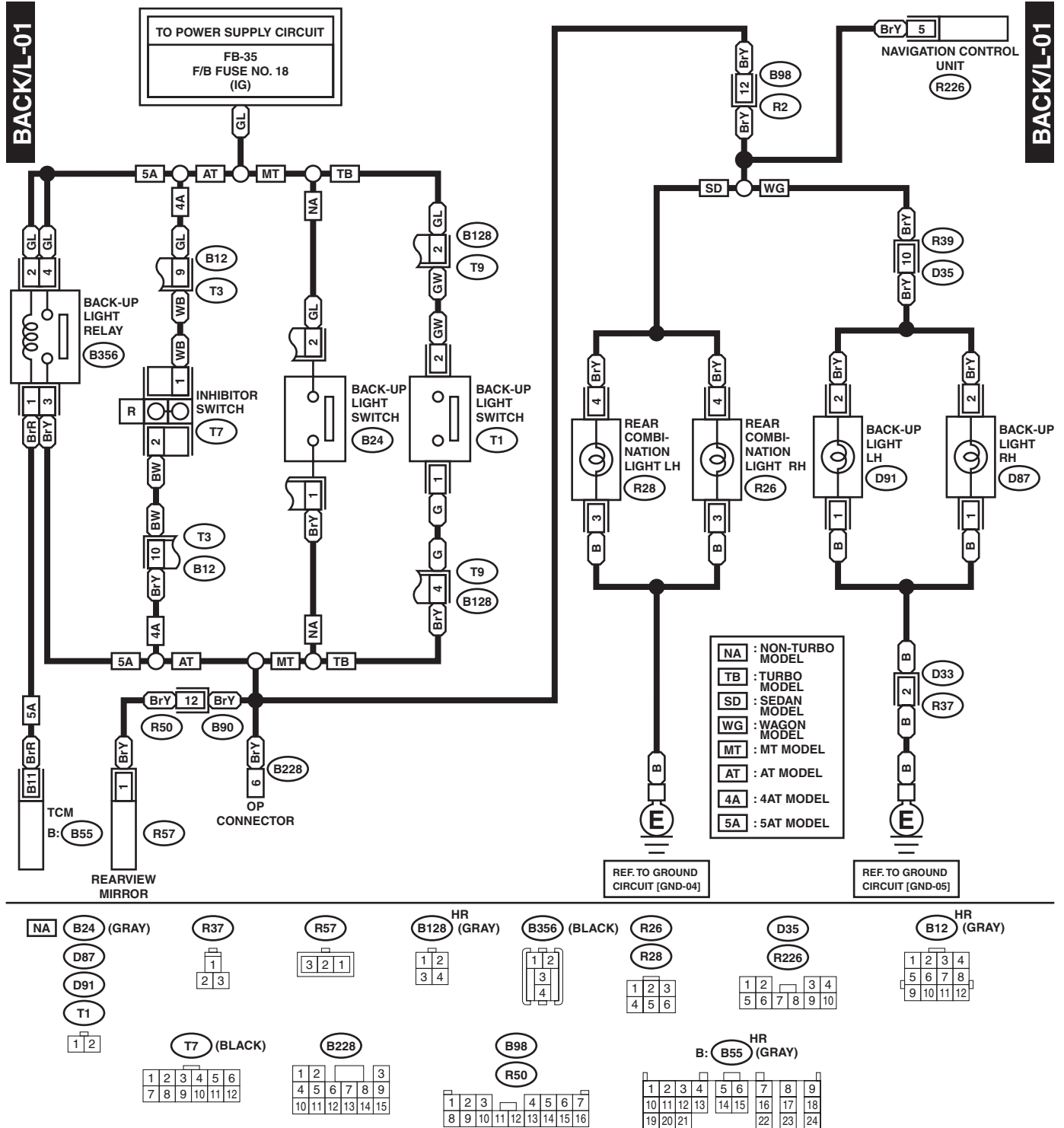


Back-up Light System

WIRING SYSTEM

22. Back-up Light System

A: WIRING DIAGRAM



WI-11948