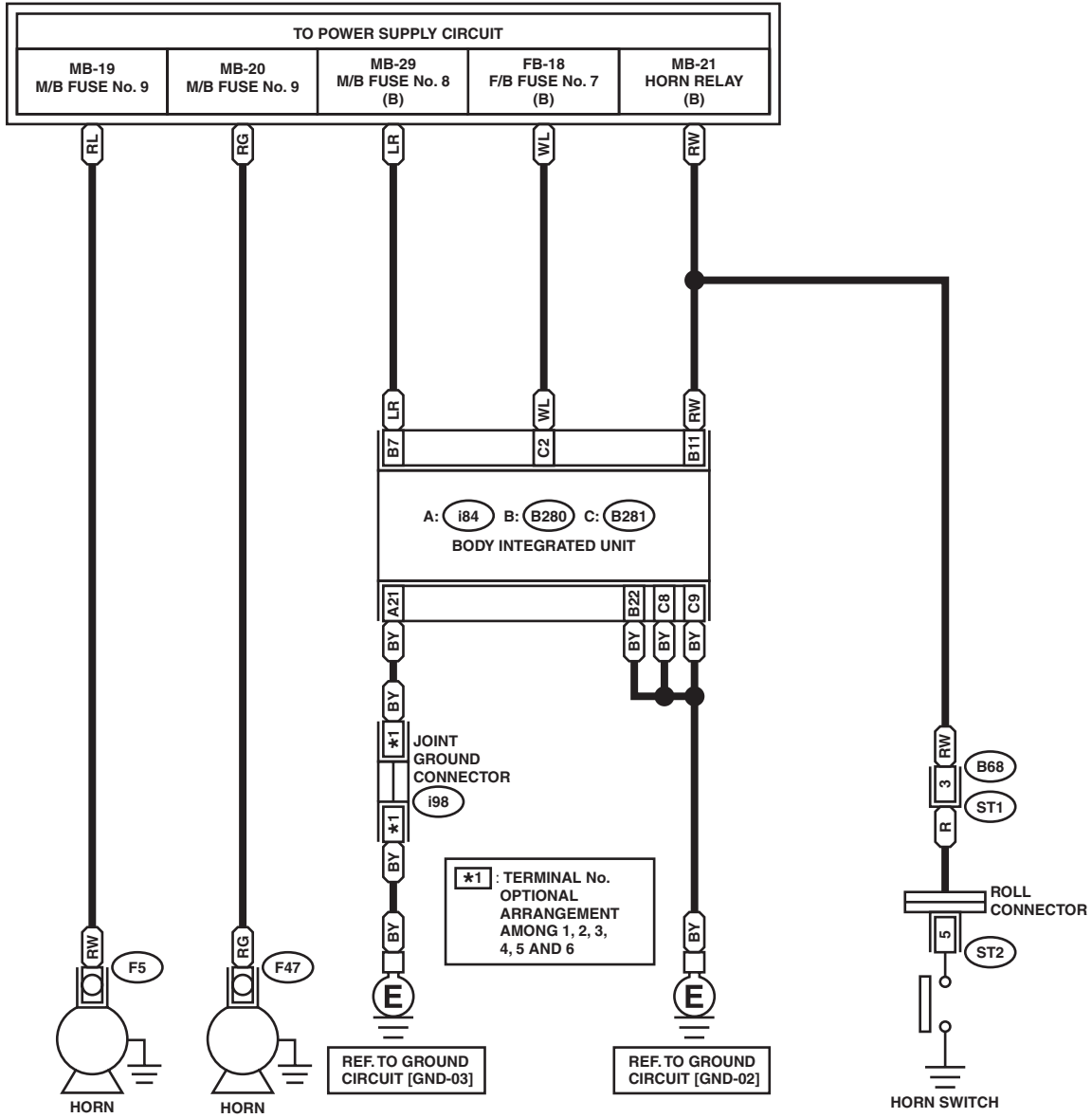


35.Horn System

A: WIRING DIAGRAM

HORN-01

HORN-01



*1 : TERMINAL No. OPTIONAL ARRANGEMENT AMONG 1, 2, 3, 4, 5 AND 6

