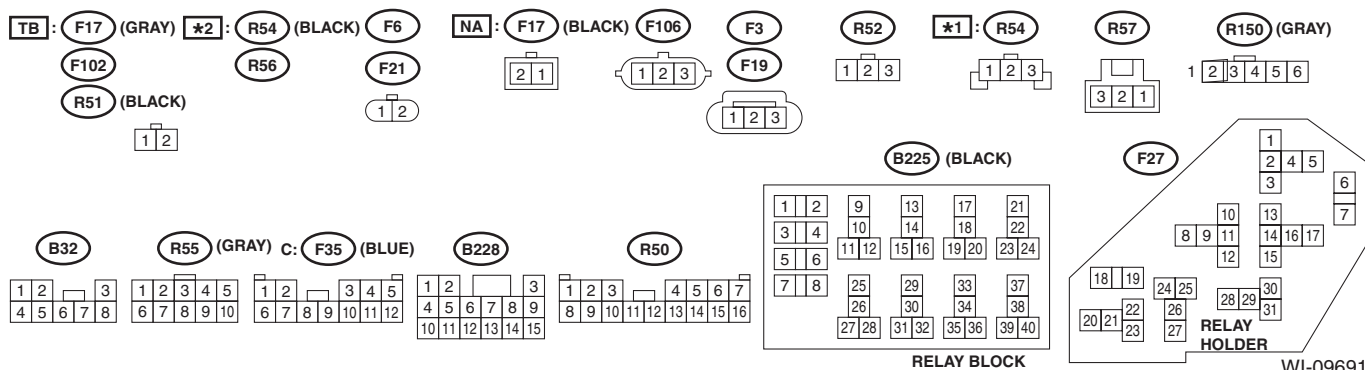
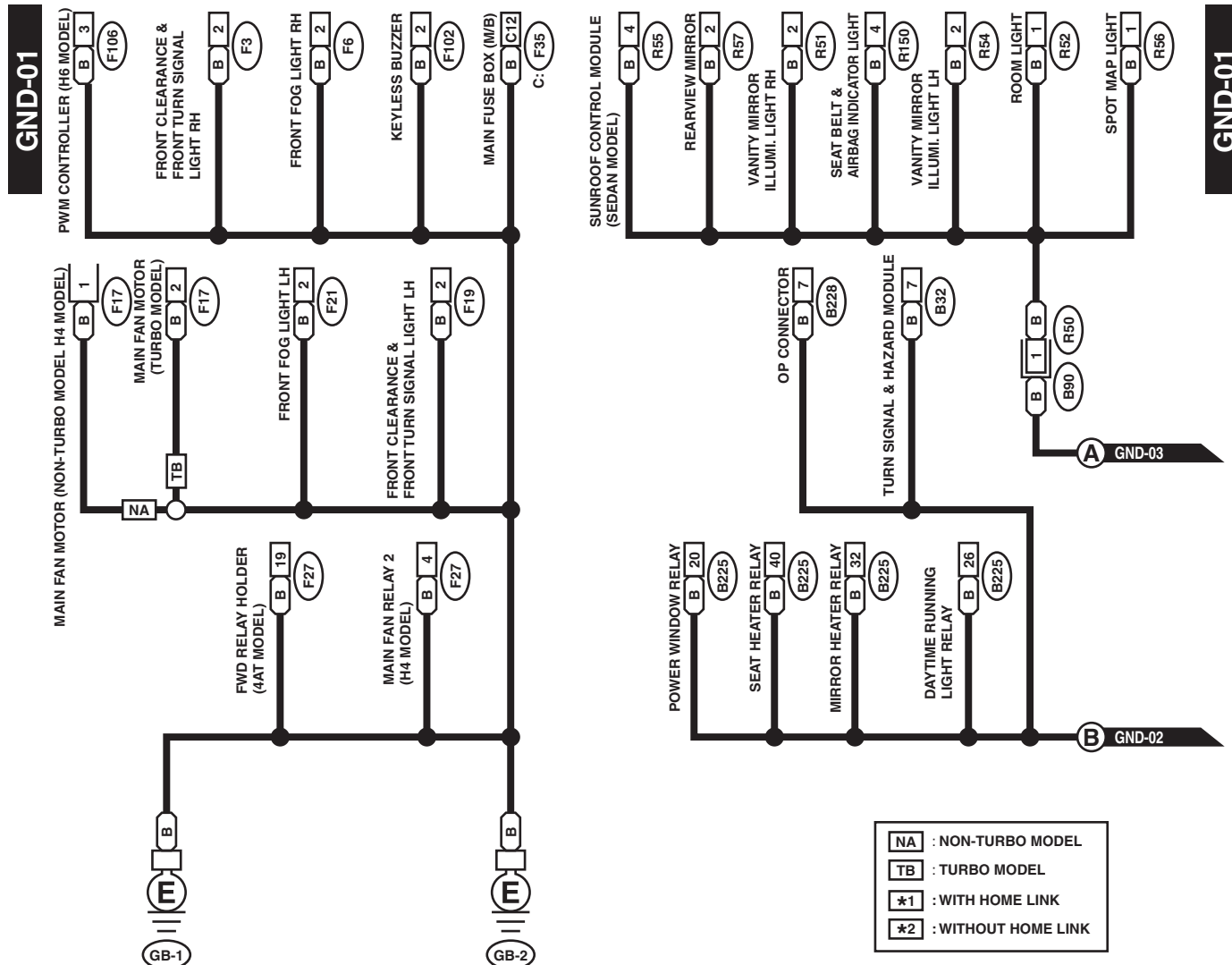


Ground Circuit

WIRING SYSTEM

4. Ground Circuit

A: WIRING DIAGRAM



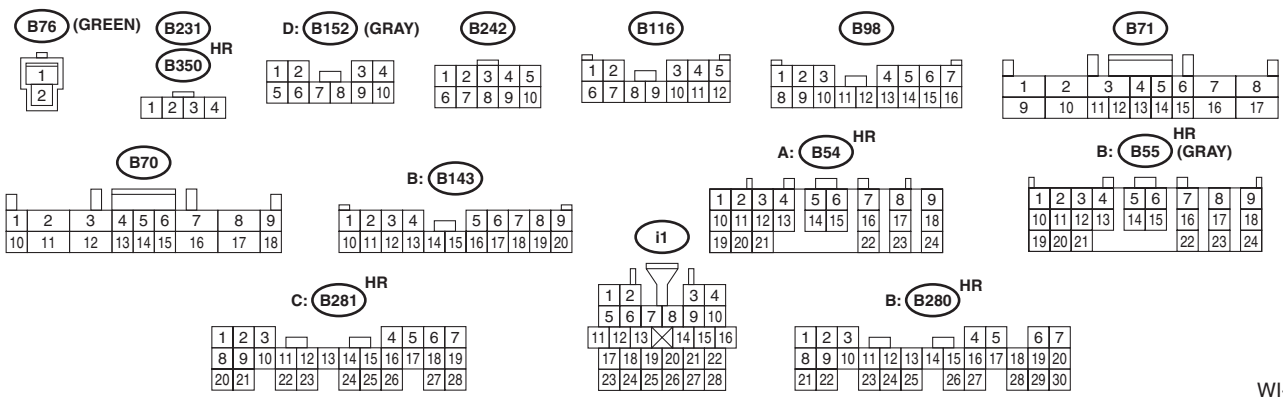
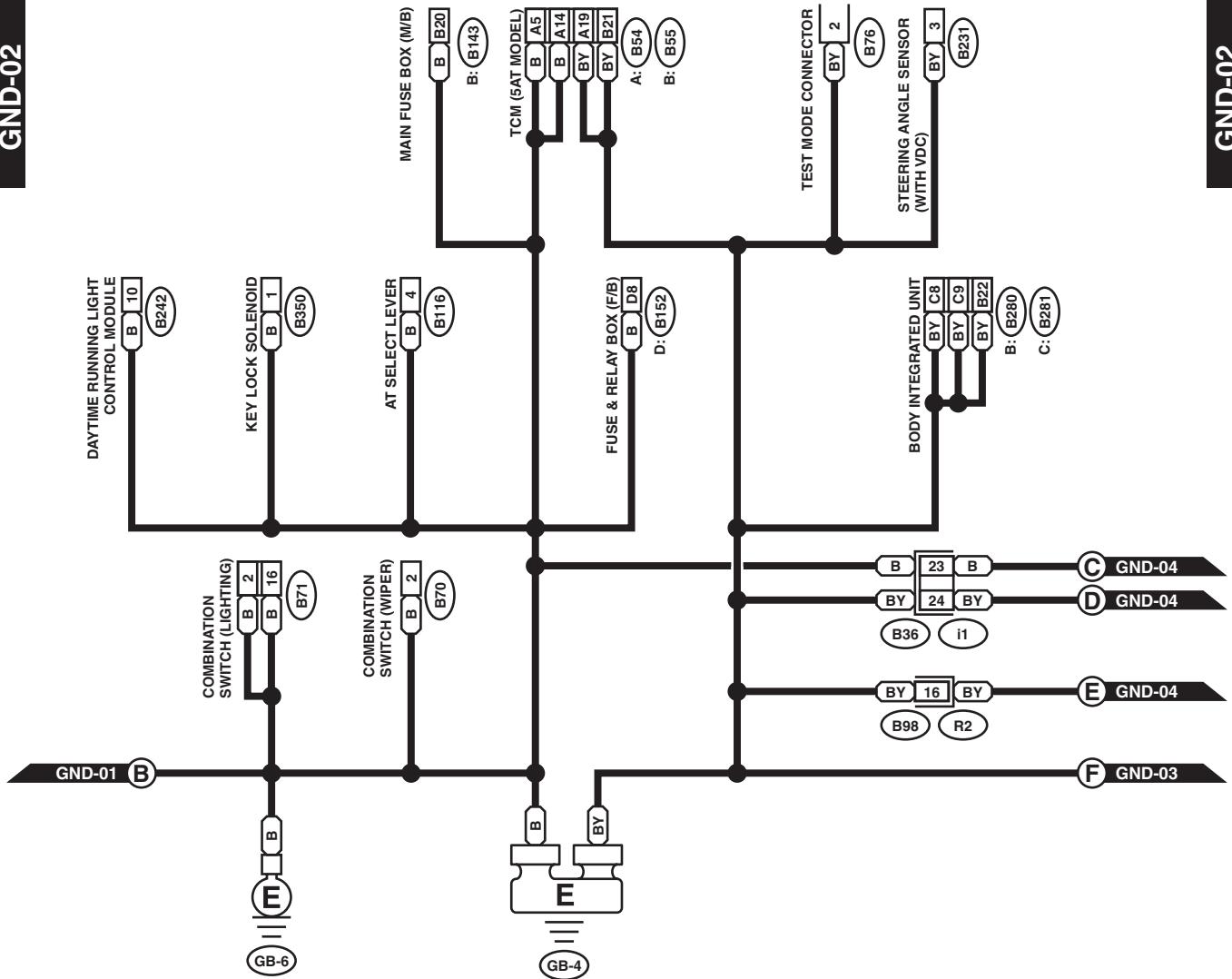
WI-09691

Ground Circuit

WIRING SYSTEM

GND-02

GND-02



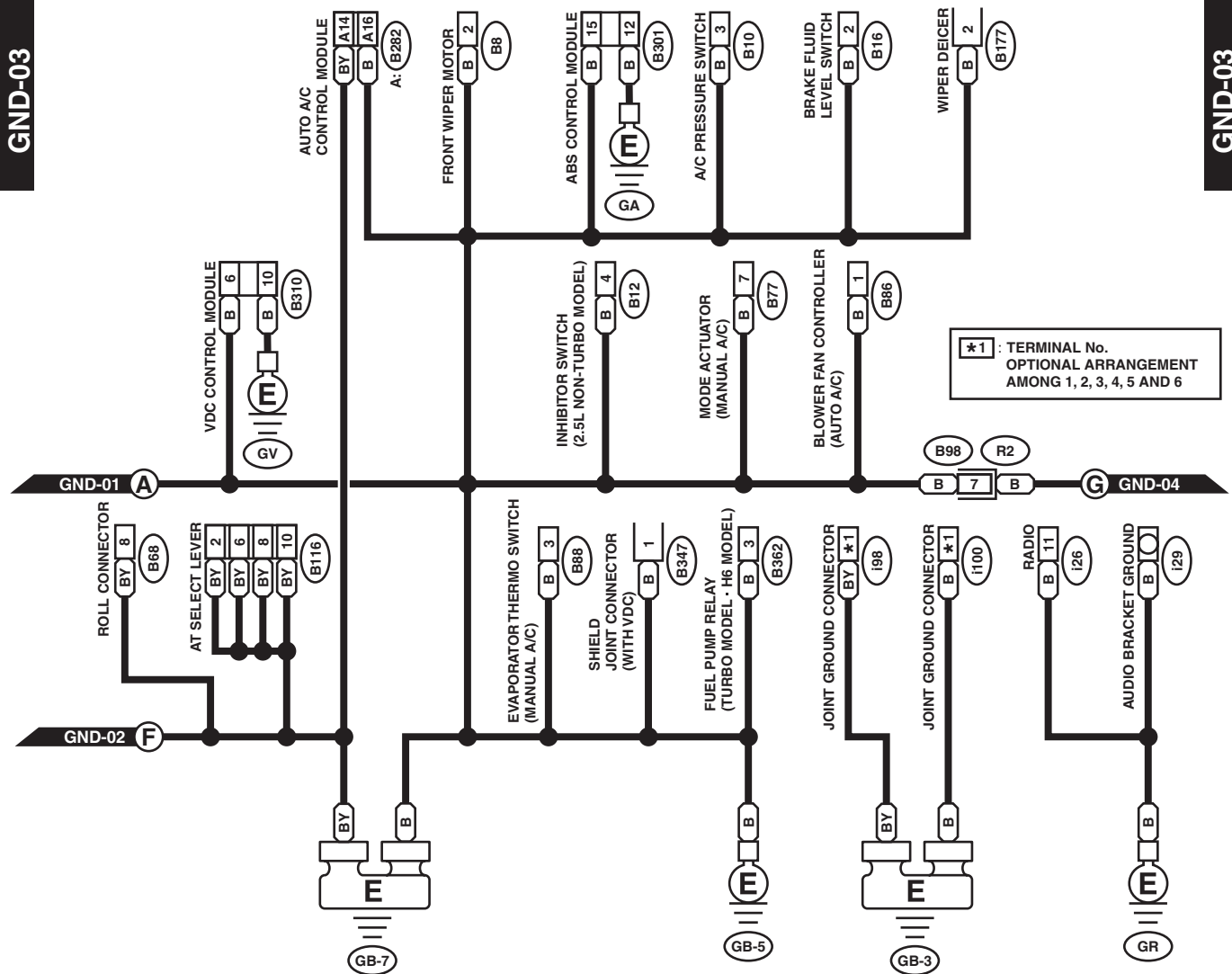
WI-11876

Ground Circuit

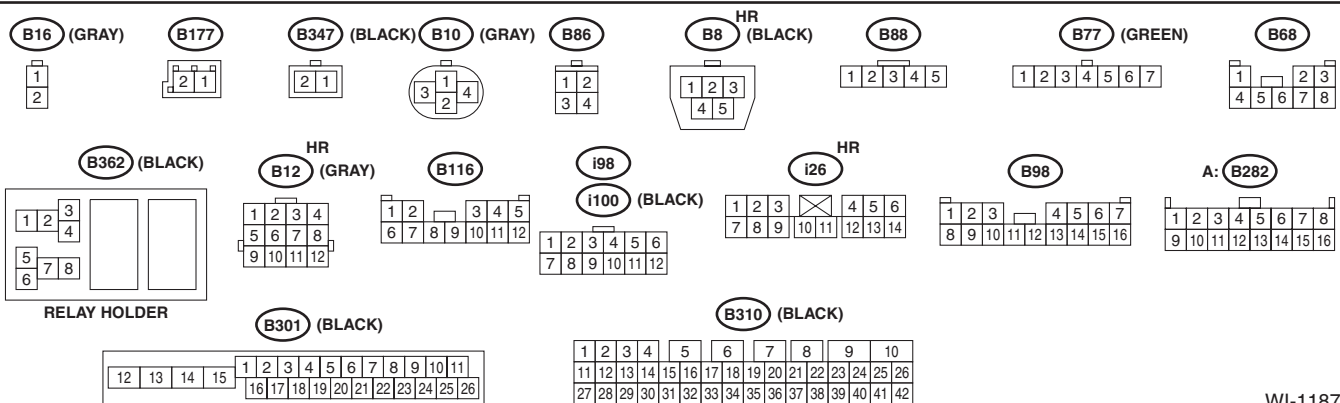
WIRING SYSTEM

GND-03

GND-03

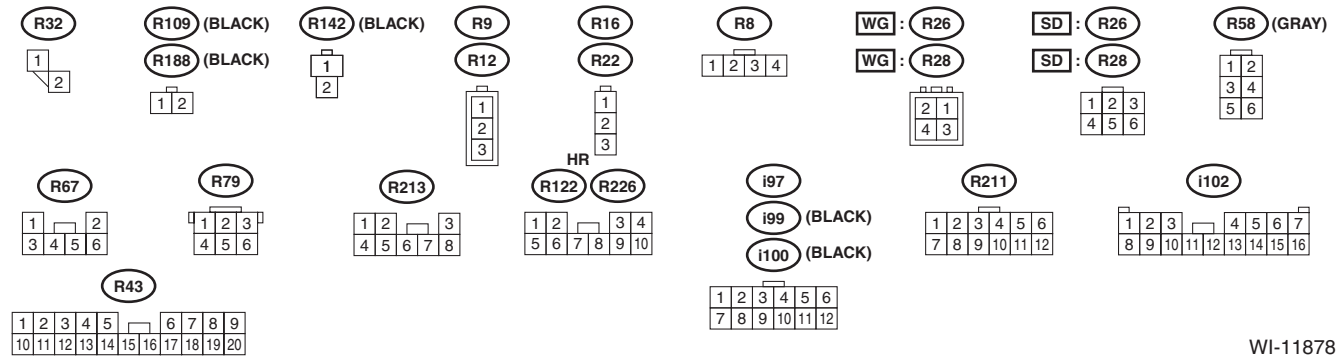
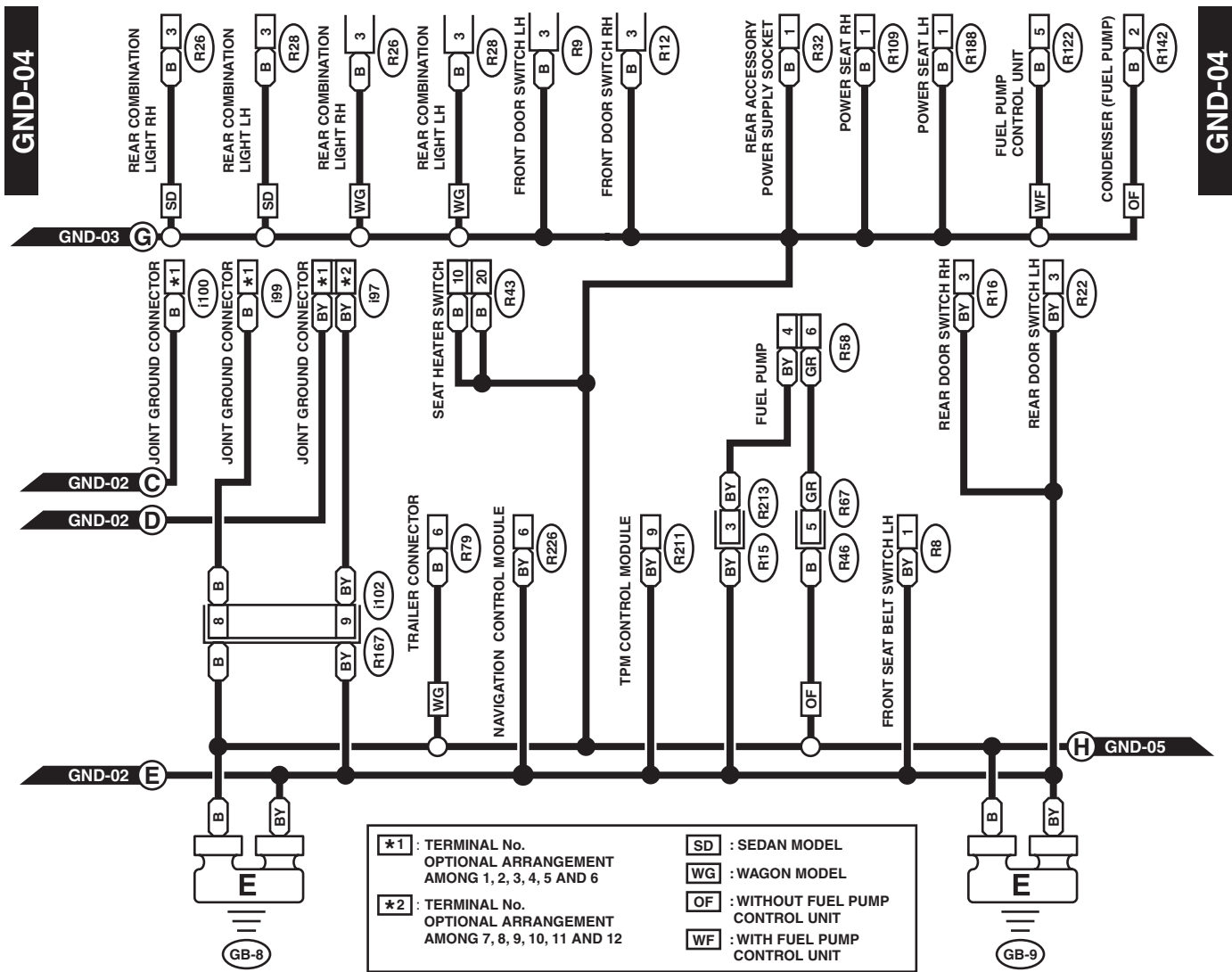


*1 : TERMINAL No.
OPTIONAL ARRANGEMENT
AMONG 1, 2, 3, 4, 5 AND 6



WI-11877

Ground Circuit



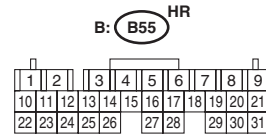
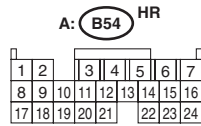
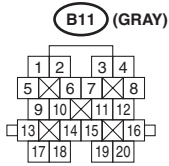
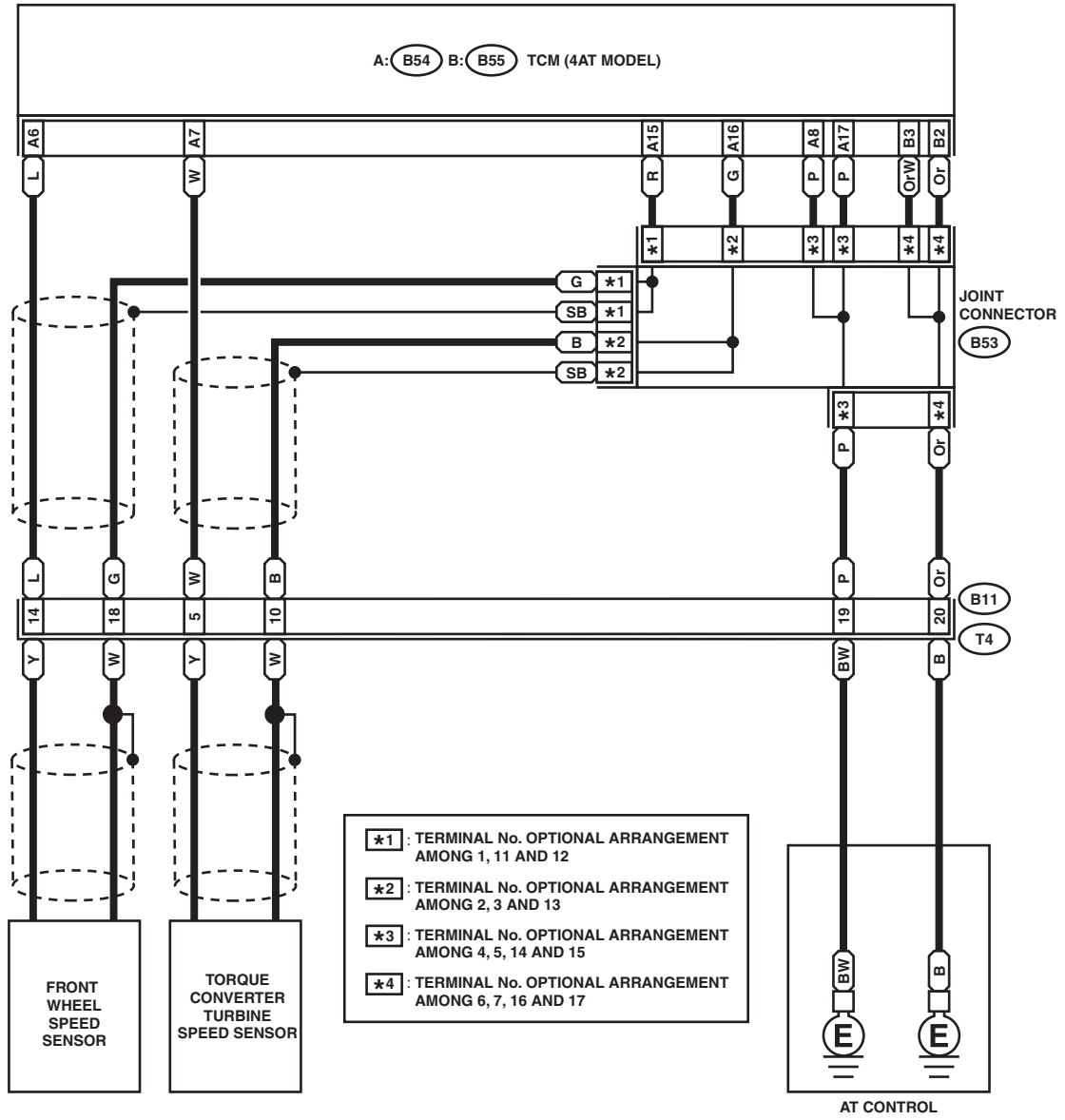
WI-11878

Ground Circuit

WIRING SYSTEM

GND-06

GND-06



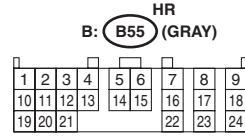
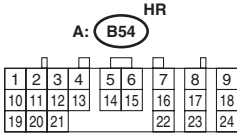
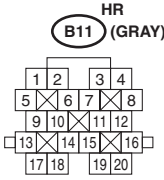
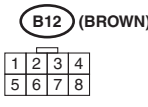
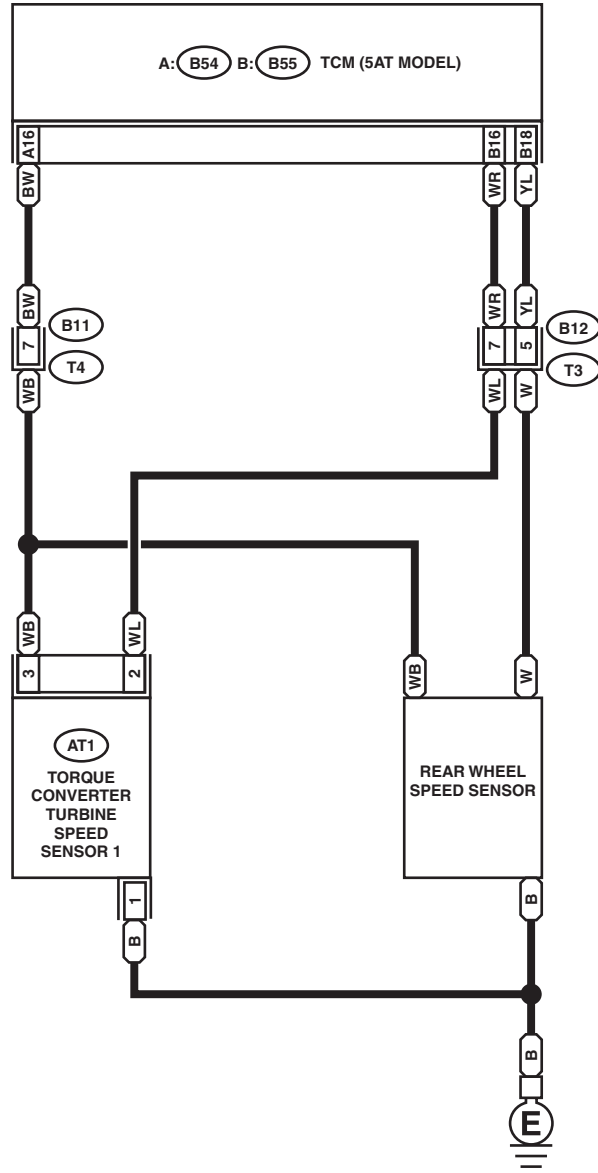
WI-11880

Ground Circuit

WIRING SYSTEM

GND-07

GND-07

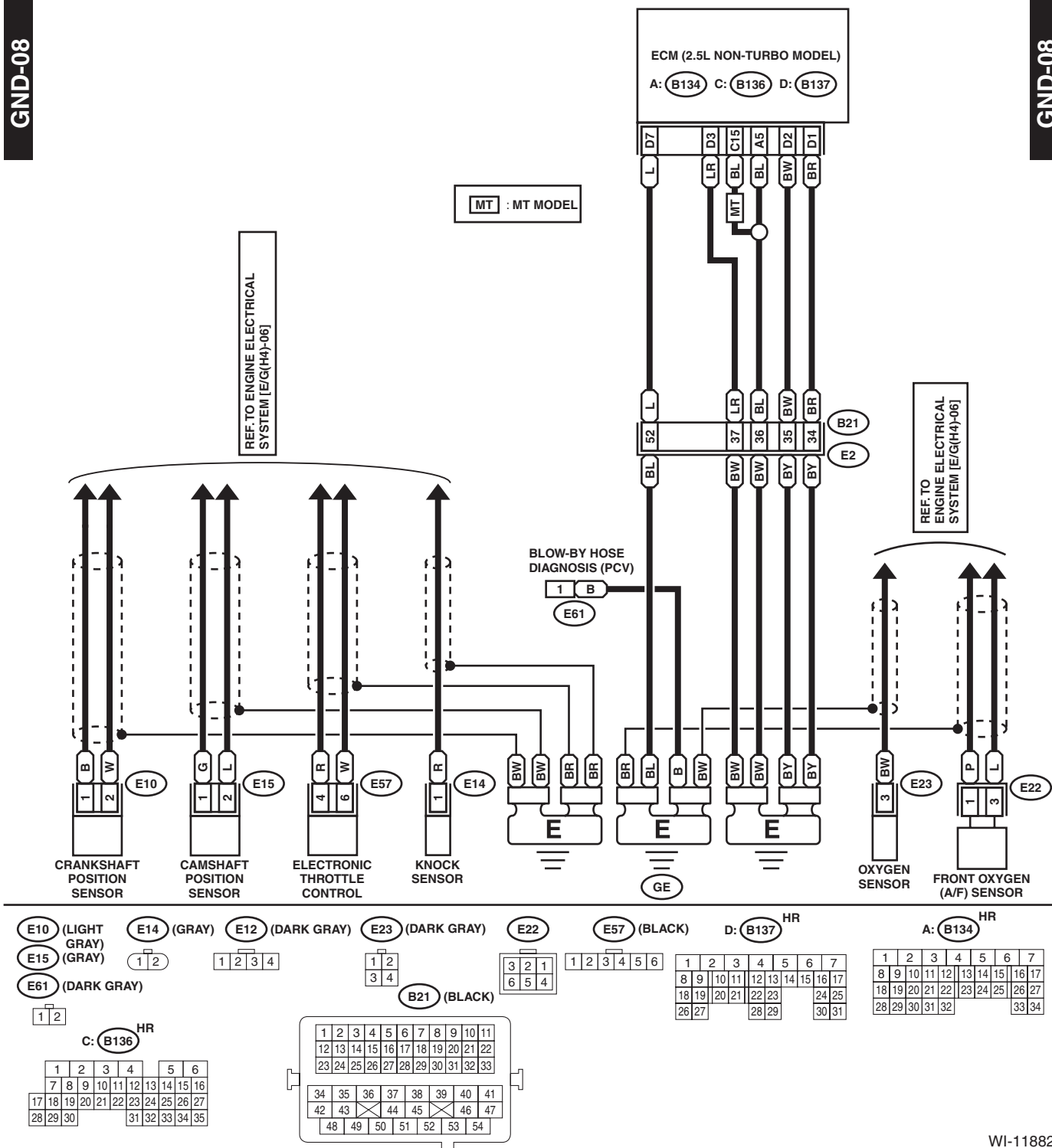


WI-11881

Ground Circuit

GND-08

GND-08



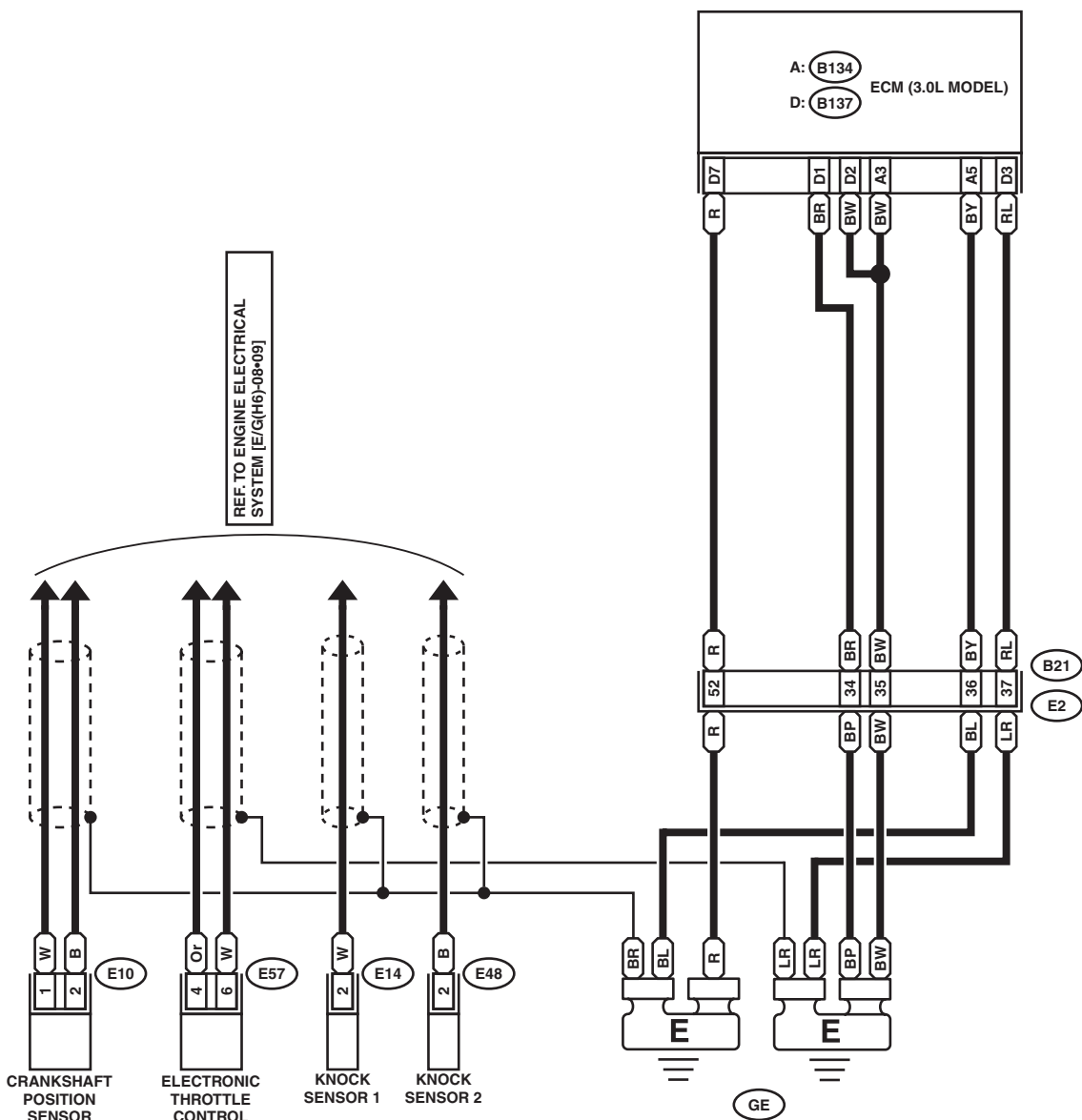
WI-11882

Ground Circuit

WIRING SYSTEM

GND-09

GND-09



E10 (LIGHT GRAY) E57 (BLACK)

E14 (BLUE)
E48 (BLUE)

1 2

1 2 3 4 5 6

D: B137 HR

1	2	3	4	5	6	7
8	9	10	11	12	13	14
15	16	17	18	19	20	21
22	23	24	25	26	27	28
29	30	31	32	33	34	35

A: B134 HR

1	2	3	4	5	6	7
8	9	10	11	12	13	14
15	16	17	18	19	20	21
22	23	24	25	26	27	28
29	30	31	32	33	34	35

B21 (BLACK)

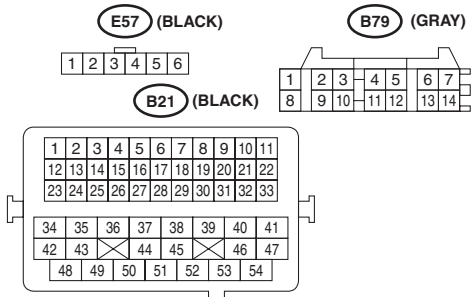
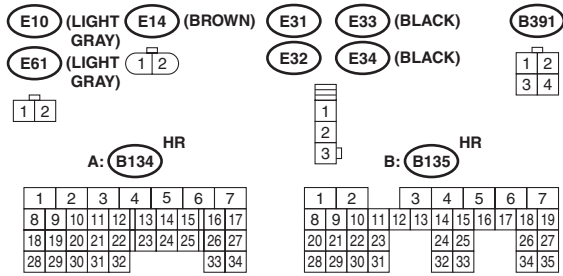
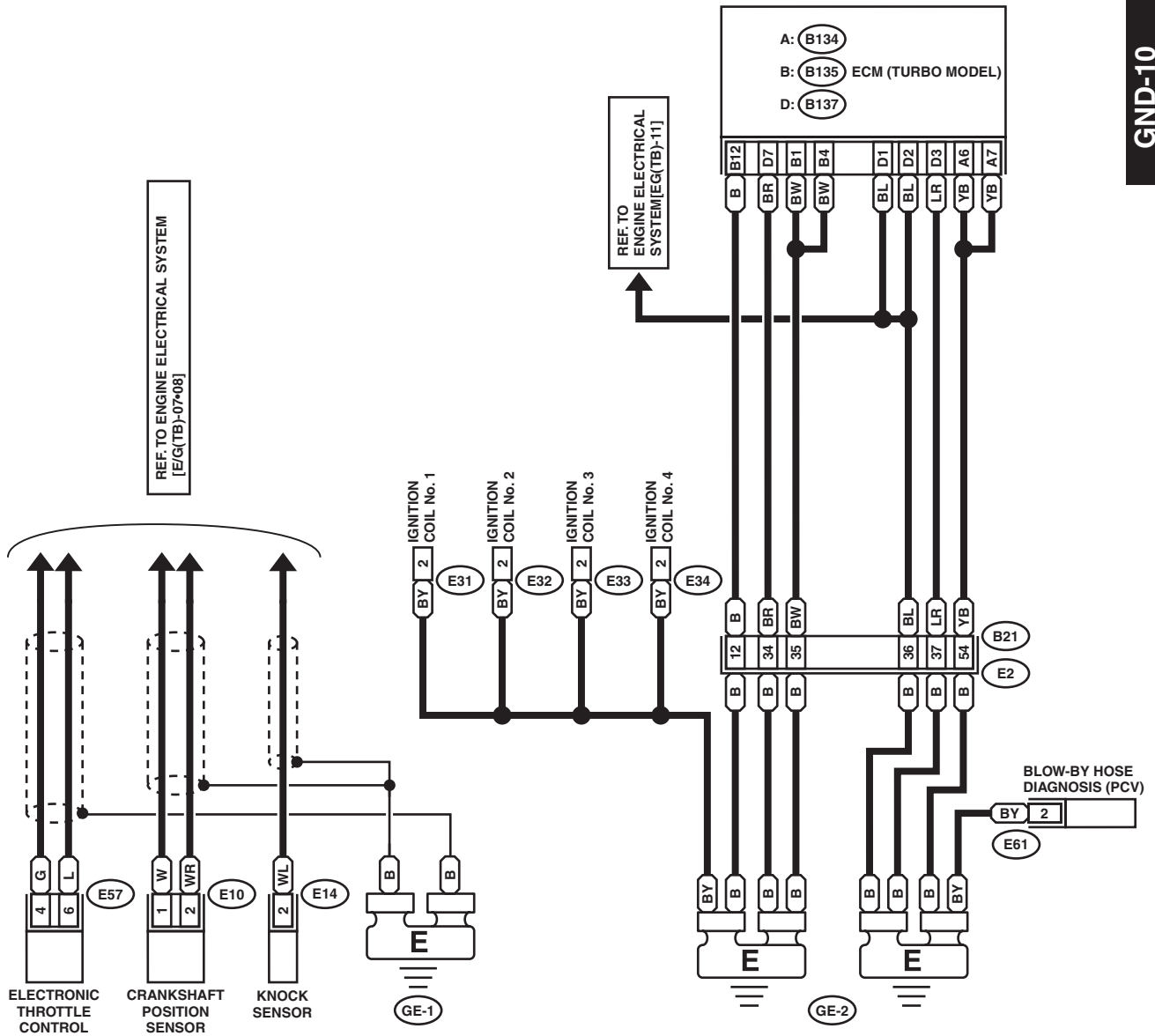
1	2	3	4	5	6	7	8	9	10	11
12	13	14	15	16	17	18	19	20	21	22
23	24	25	26	27	28	29	30	31	32	33
34	35	36	37	38	39	40	41	42	43	44
45	46	47	48	49	50	51	52	53	54	55

WI-11883

Ground Circuit

GND-10

GND-10



WI-11884