

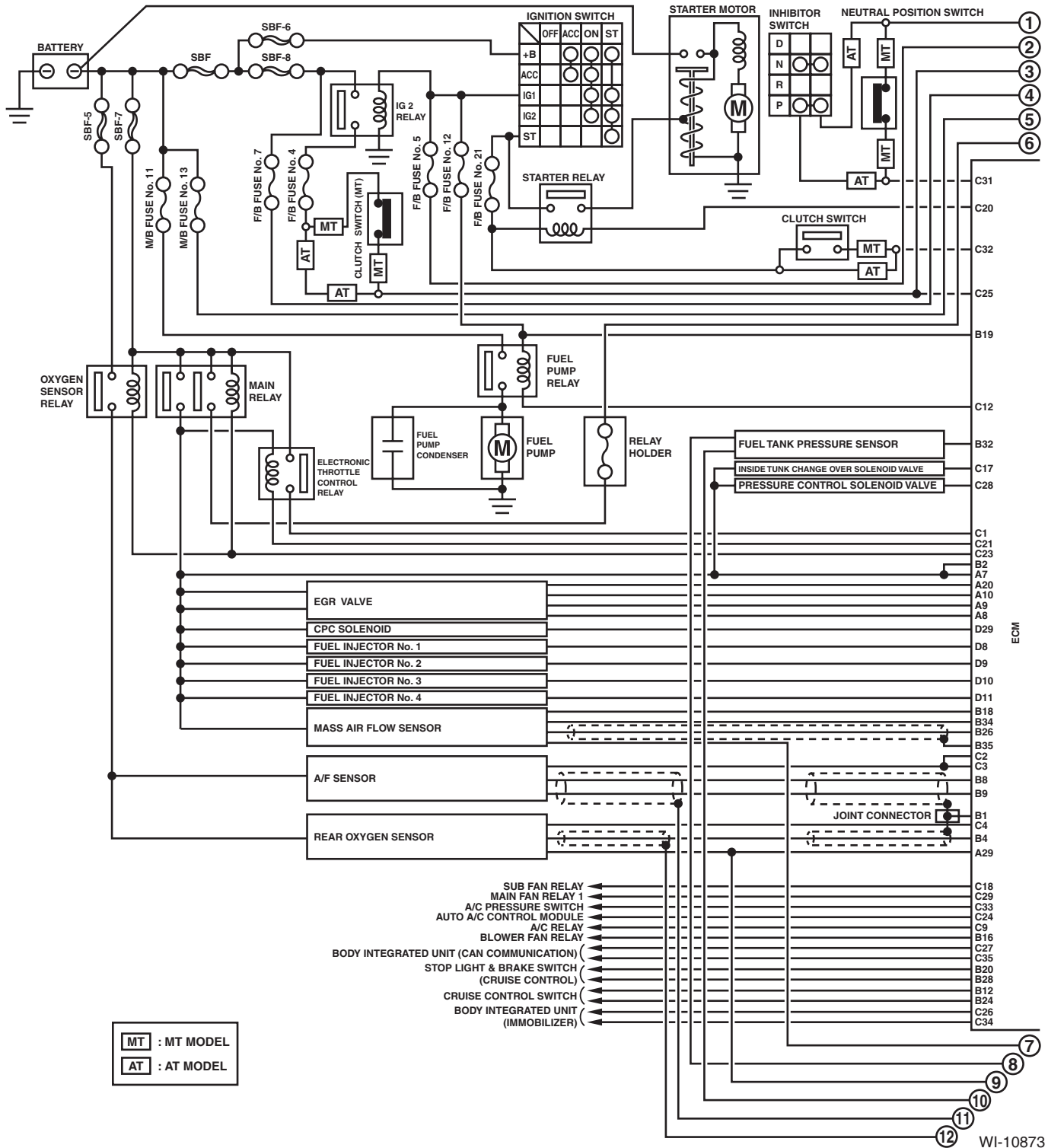
Engine Electrical System

WIRING SYSTEM

5. Engine Electrical System

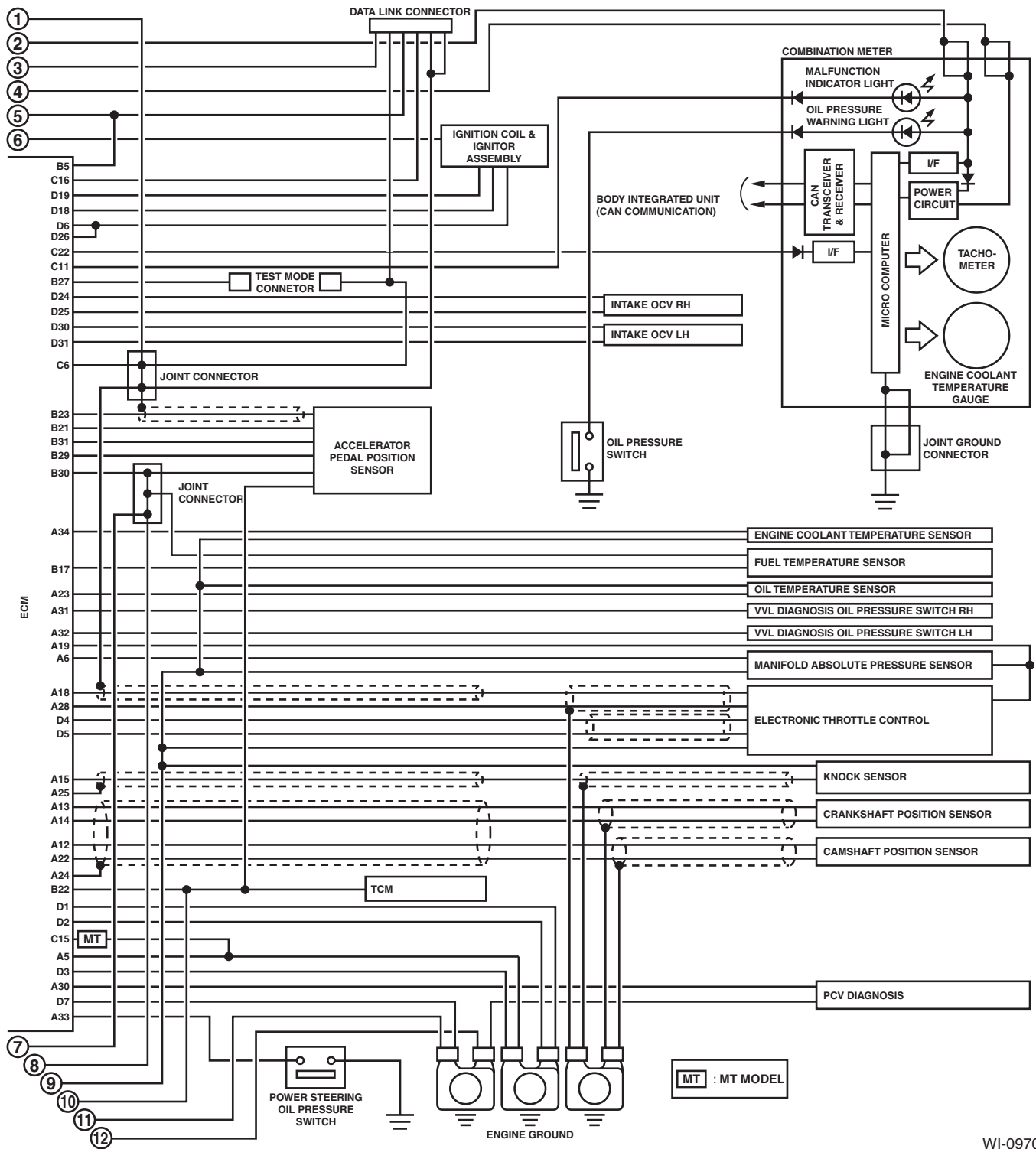
A: WIRING DIAGRAM

1. 2.5 L NON-TURBO MODEL



Engine Electrical System

WIRING SYSTEM

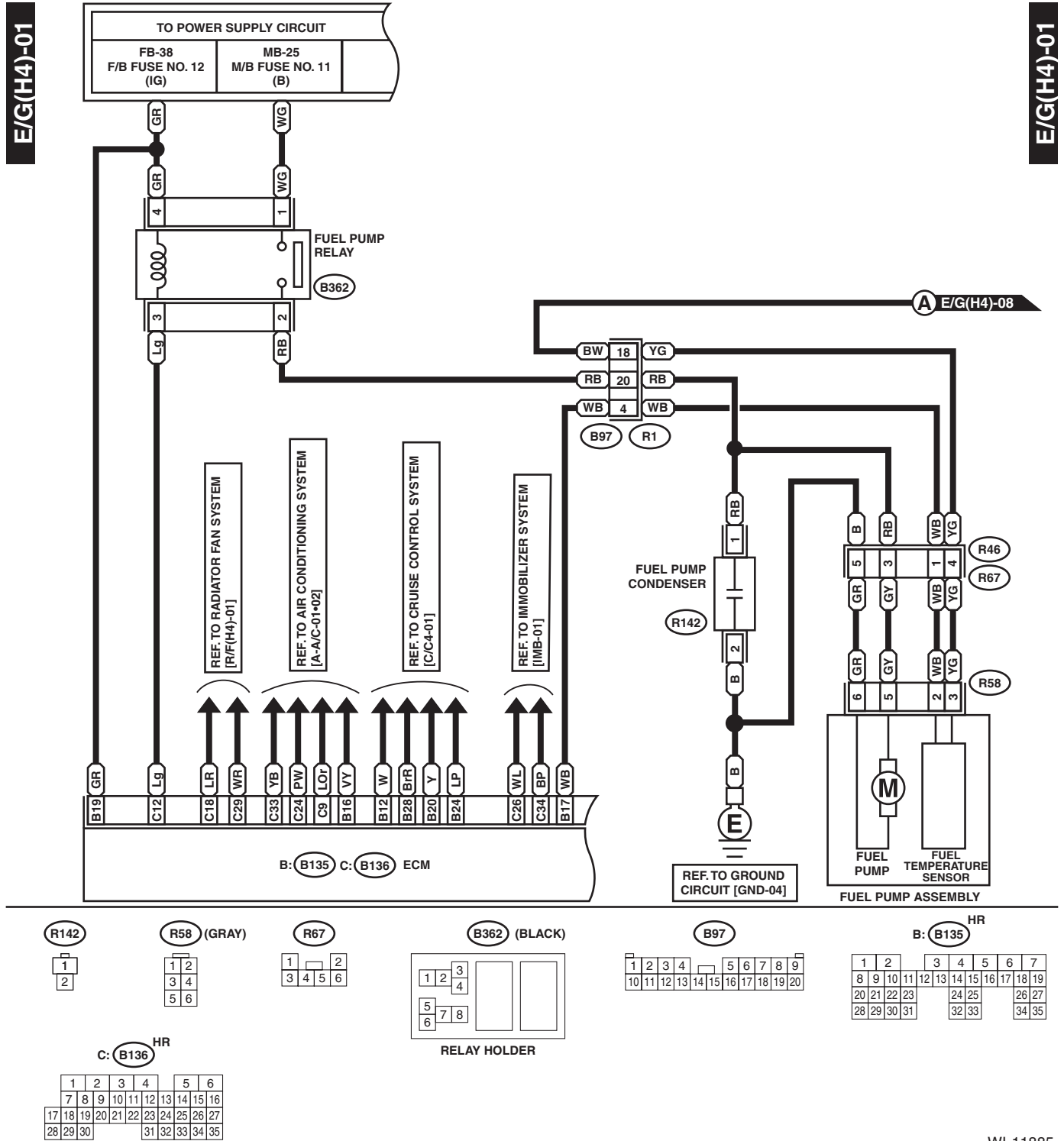


MT : MT MODEL

WI-09702

Engine Electrical System

WIRING SYSTEM



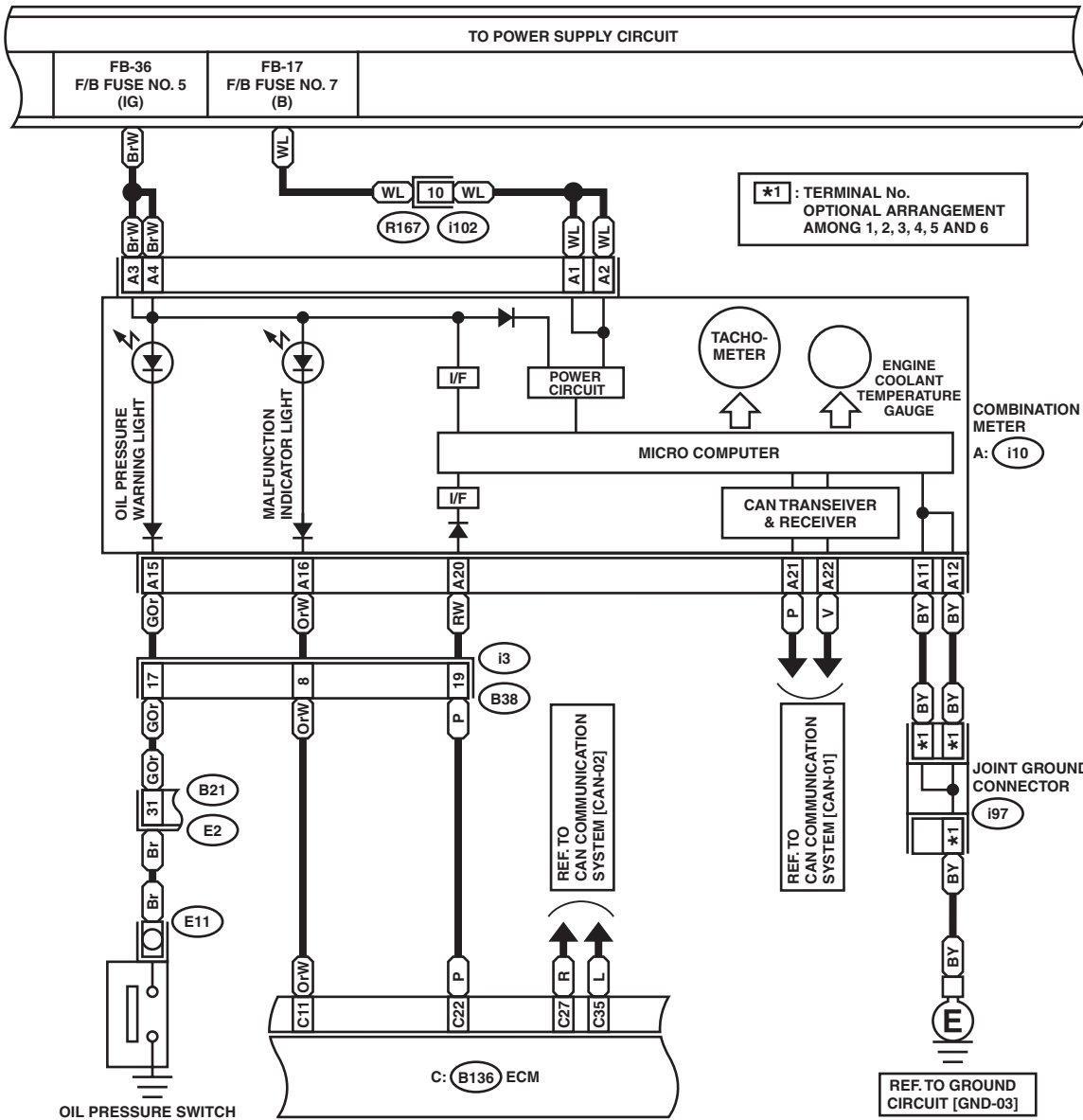
WI-11885

Engine Electrical System

WIRING SYSTEM

E/G(H4)-02

E/G(H4)-02



*1 : TERMINAL No.
OPTIONAL ARRANGEMENT
AMONG 1, 2, 3, 4, 5 AND 6

i97

1	2	3	4	5	6
7	8	9	10	11	12

i102

1	2	3	4	5	6	7		
8	9	10	11	12	13	14	15	16

B38

1	2	3	4	5	6	7	8	9		
10	11	12	13	14	15	16	17	18	19	20

A: i10 (GREEN)

1	2	3	4	5	6	7	8	9	10		
11	12	13	14	15	16	17	18	19	20	21	22

C: B136 HR

1	2	3	4	5	6					
7	8	9	10	11	12	13	14	15	16	
17	18	19	20	21	22	23	24	25	26	27
28	29	30	31	32	33	34	35			

B21 (BLACK)

1	2	3	4	5	6	7	8	9	10	11
12	13	14	15	16	17	18	19	20	21	22
23	24	25	26	27	28	29	30	31	32	33
34	35	36	37	38	39	40	41			
42	43	44	45	46	47					
48	49	50	51	52	53	54				

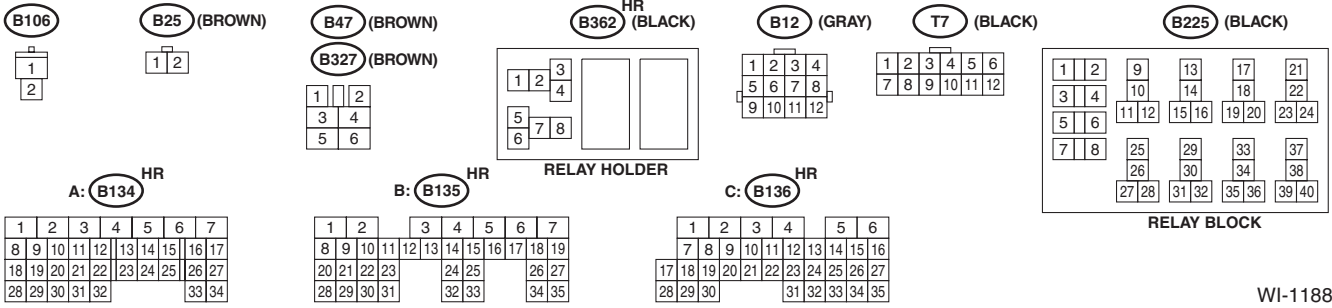
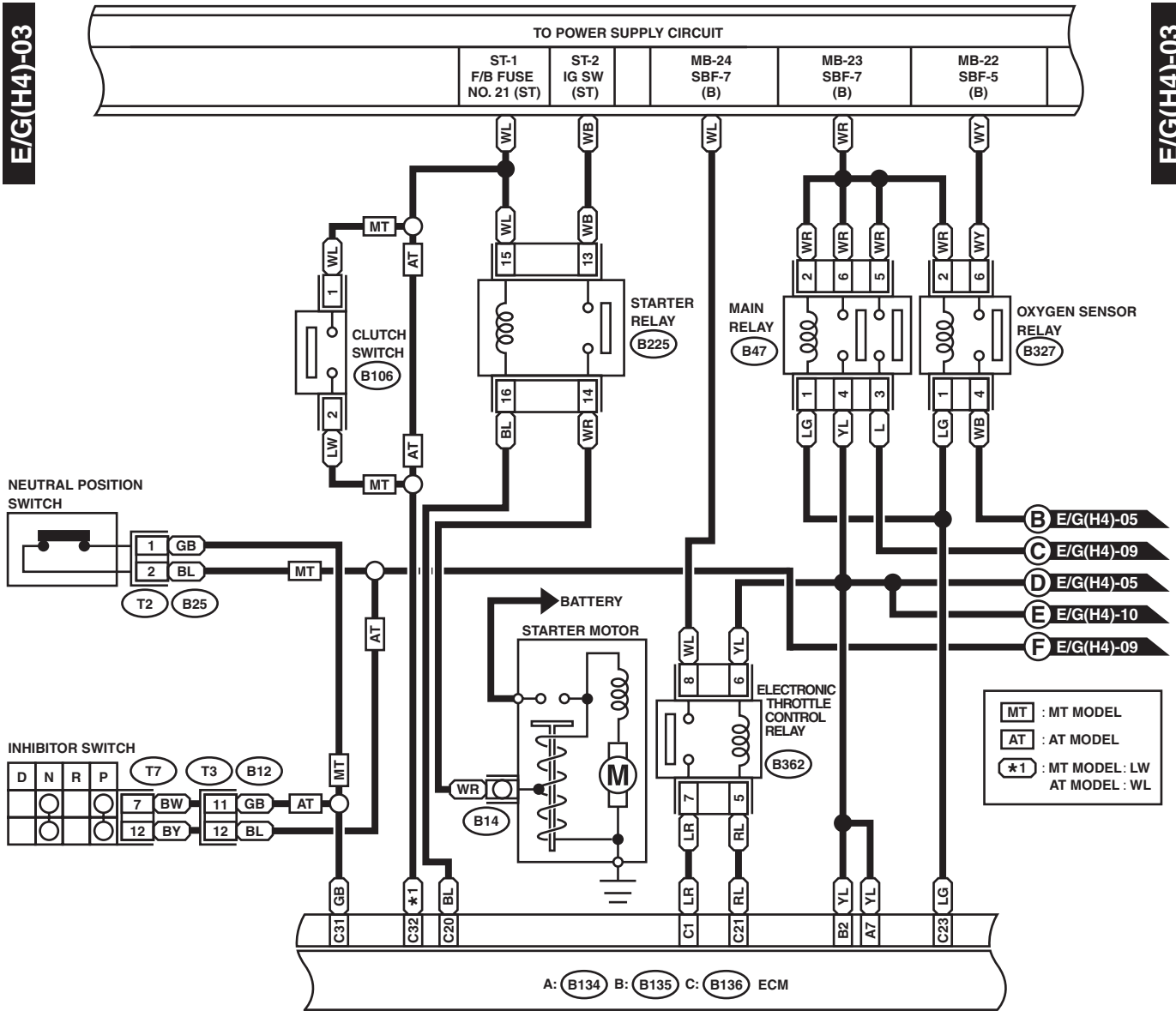
WI-11886

Engine Electrical System

WIRING SYSTEM

E/G(H4)-03

E/G(H4)-03



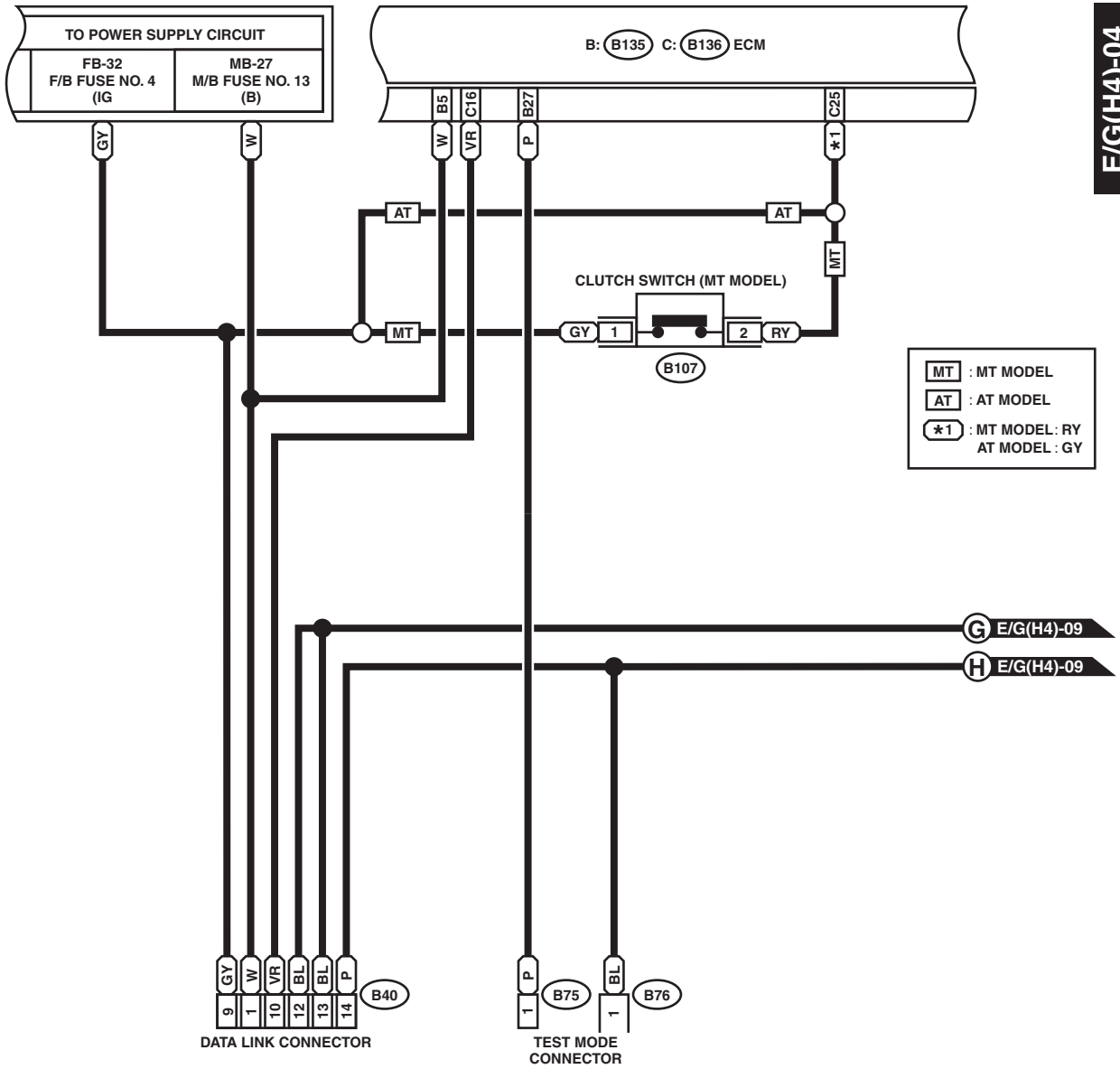
WI-11887

Engine Electrical System

WIRING SYSTEM

E/G(H4)-04

E/G(H4)-04



(B75) (GREEN)

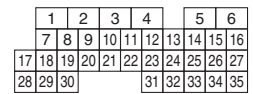
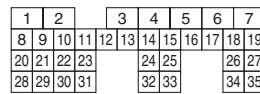
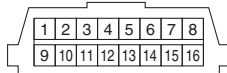
(B76) (GREEN)

MT : (B107) (BLUE)

(B40) (BLACK)

B: (B135) HR

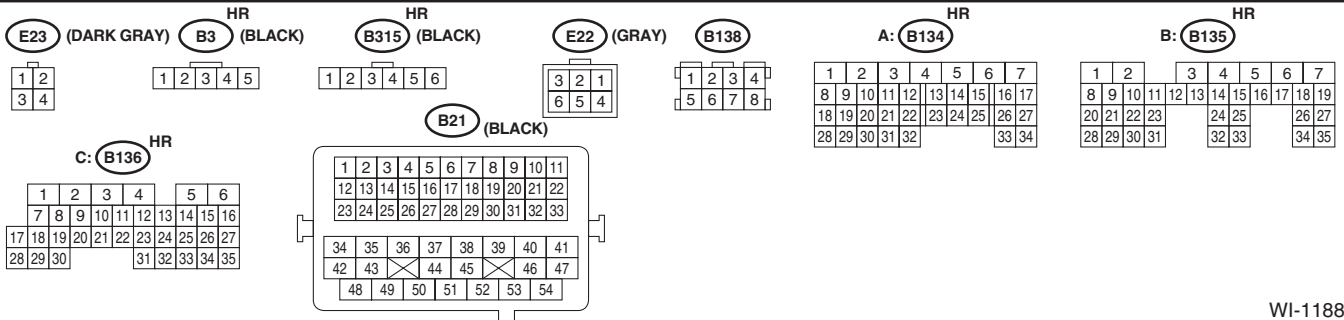
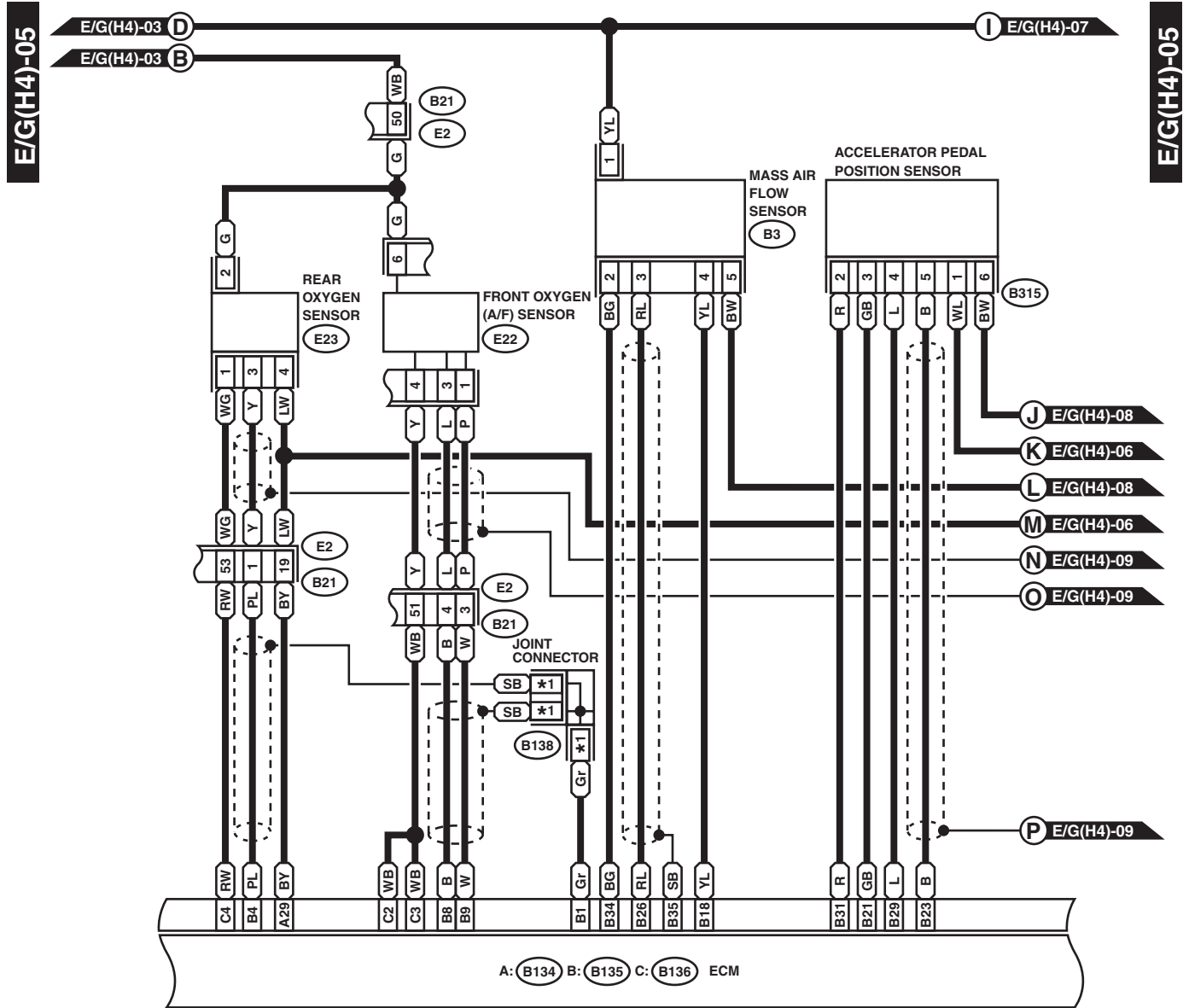
C: (B136) HR



WI-11888

Engine Electrical System

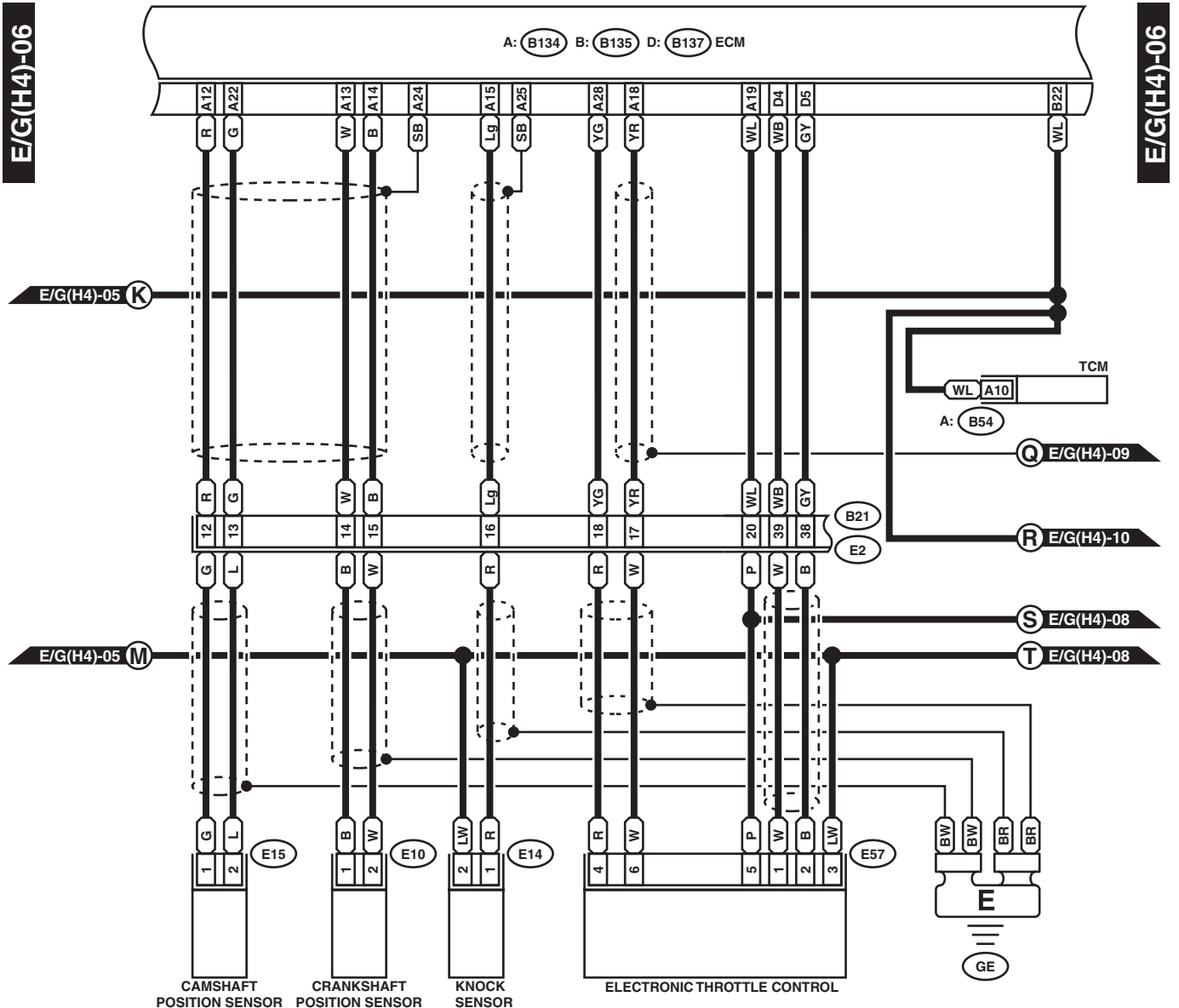
WIRING SYSTEM



WI-11889

Engine Electrical System

WIRING SYSTEM



E10 (LIGHT GRAY) E14 (GRAY) E27 (BLACK)

E15 (GRAY)

1 2

1 2 3 4 5 6

B21 (BLACK)

A: B54 HR

D: B137 HR

A: B134 HR

1	2	3	4	5	6	7
8	9	10	11	12	13	14
15	16	17	18	19	20	21
22	23	24	25	26	27	
28	29	30	31	32	33	34

B: B135 HR

1	2	3	4	5	6	7
8	9	10	11	12	13	14
15	16	17	18	19	20	21
22	23	24	25	26	27	
28	29	30	31	32	33	34
						35

1	2	3	4	5	6	7	8	9	10	11
12	13	14	15	16	17	18	19	20	21	22
23	24	25	26	27	28	29	30	31	32	33
34	35	36	37	38	39	40	41			
42	43	44	45	46	47					
48	49	50	51	52	53	54				

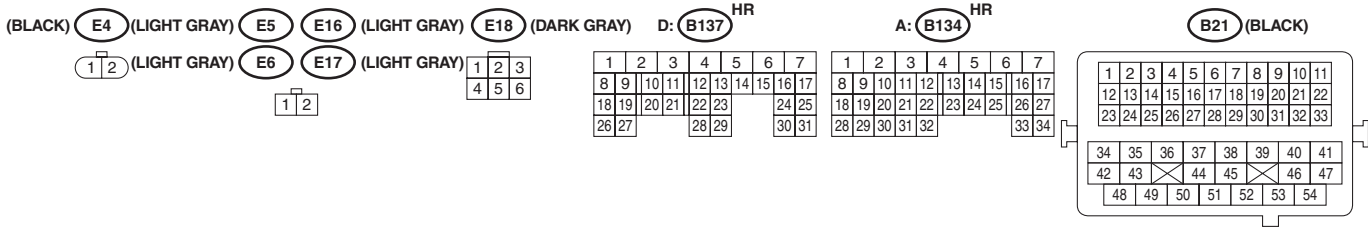
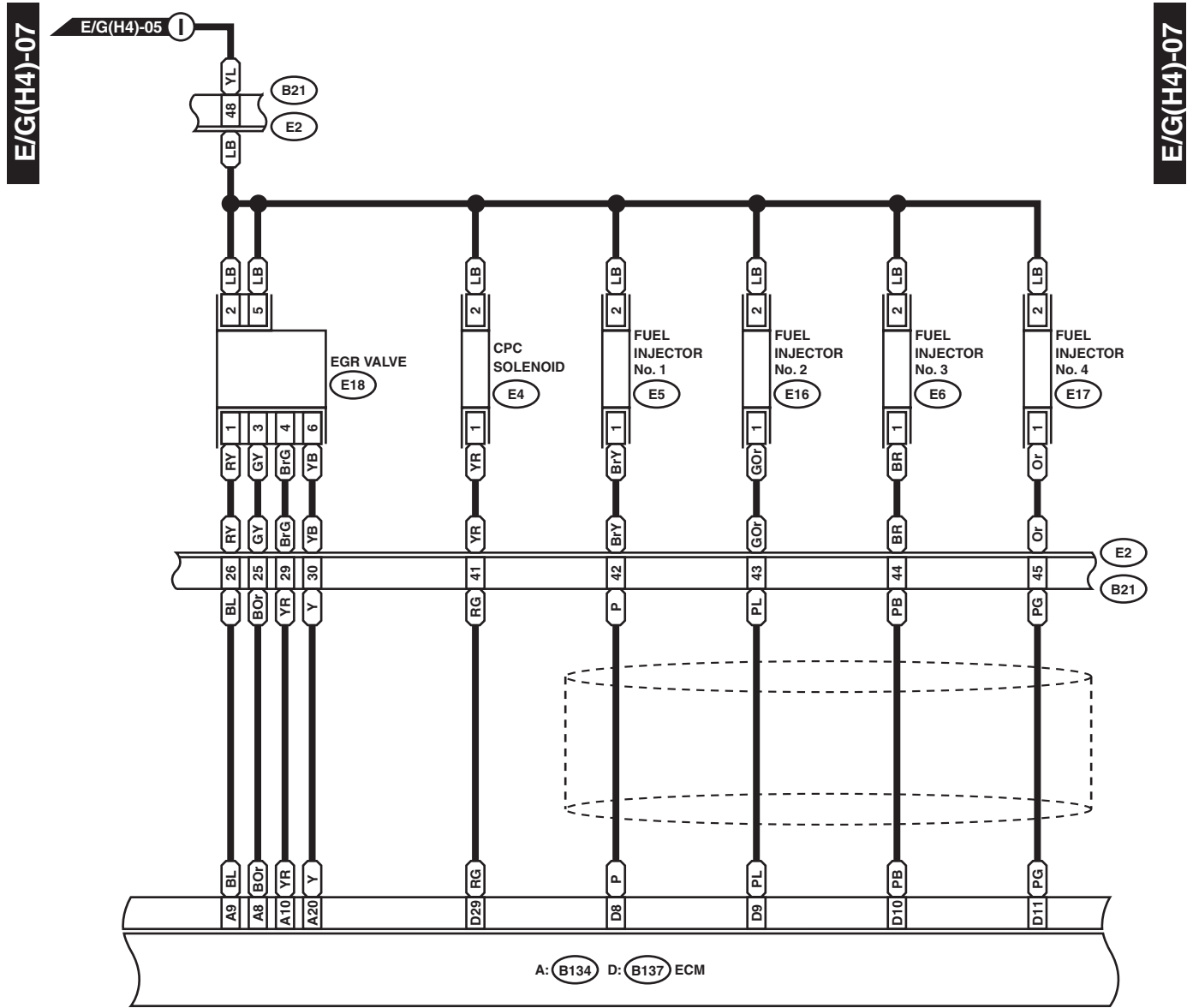
1	2	3	4	5	6	7
8	9	10	11	12	13	14
15	16	17	18	19	20	21
22	23	24	25	26	27	

1	2	3	4	5	6	7
8	9	10	11	12	13	14
15	16	17	18	19	20	21
22	23	24	25	26	27	
28	29	30	31			

WI-11890

Engine Electrical System

WIRING SYSTEM



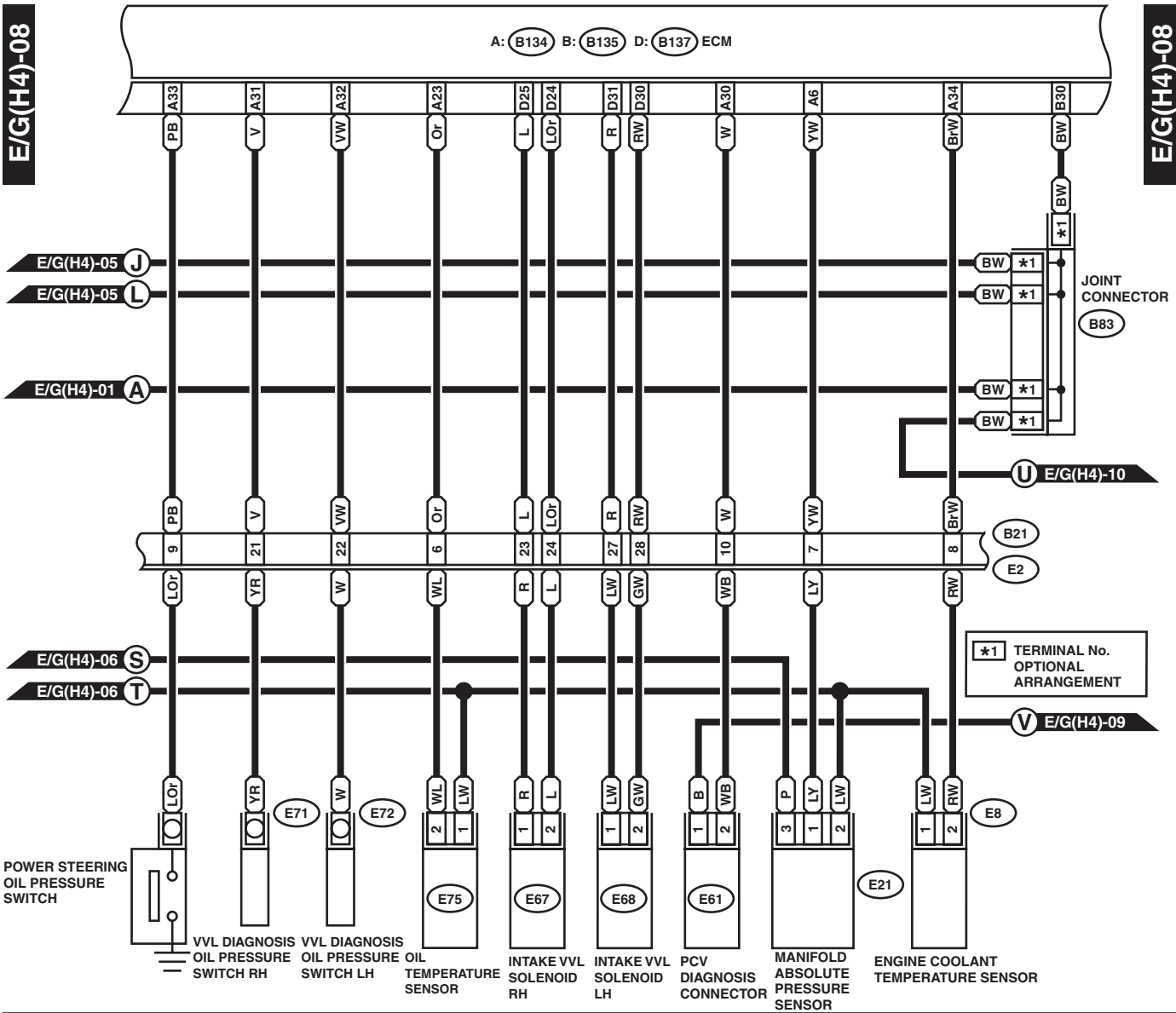
WI-11891

Engine Electrical System

WIRING SYSTEM

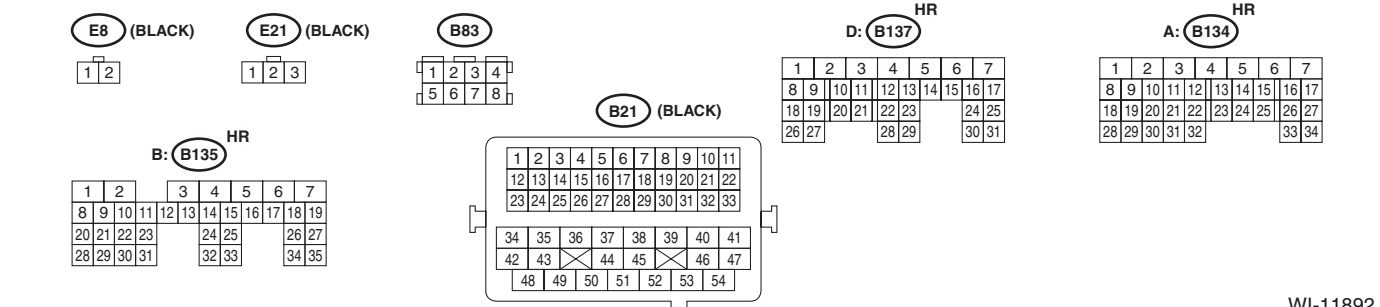
E/G(H4)-08

E/G(H4)-08



POWER STEERING OIL PRESSURE SWITCH

- VVL DIAGNOSIS OIL PRESSURE SWITCH RH
- VVL DIAGNOSIS OIL PRESSURE SWITCH LH
- OIL TEMPERATURE SENSOR
- INTAKE VVL SOLENOID RH
- INTAKE VVL SOLENOID LH
- PCV DIAGNOSIS CONNECTOR
- MANIFOLD ABSOLUTE PRESSURE SENSOR
- ENGINE COOLANT TEMPERATURE SENSOR



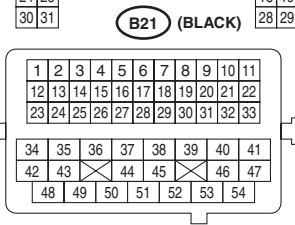
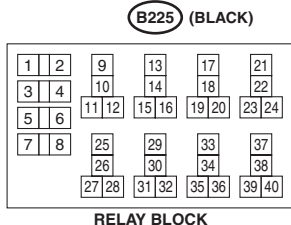
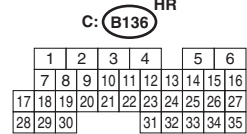
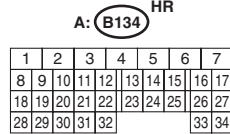
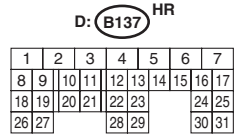
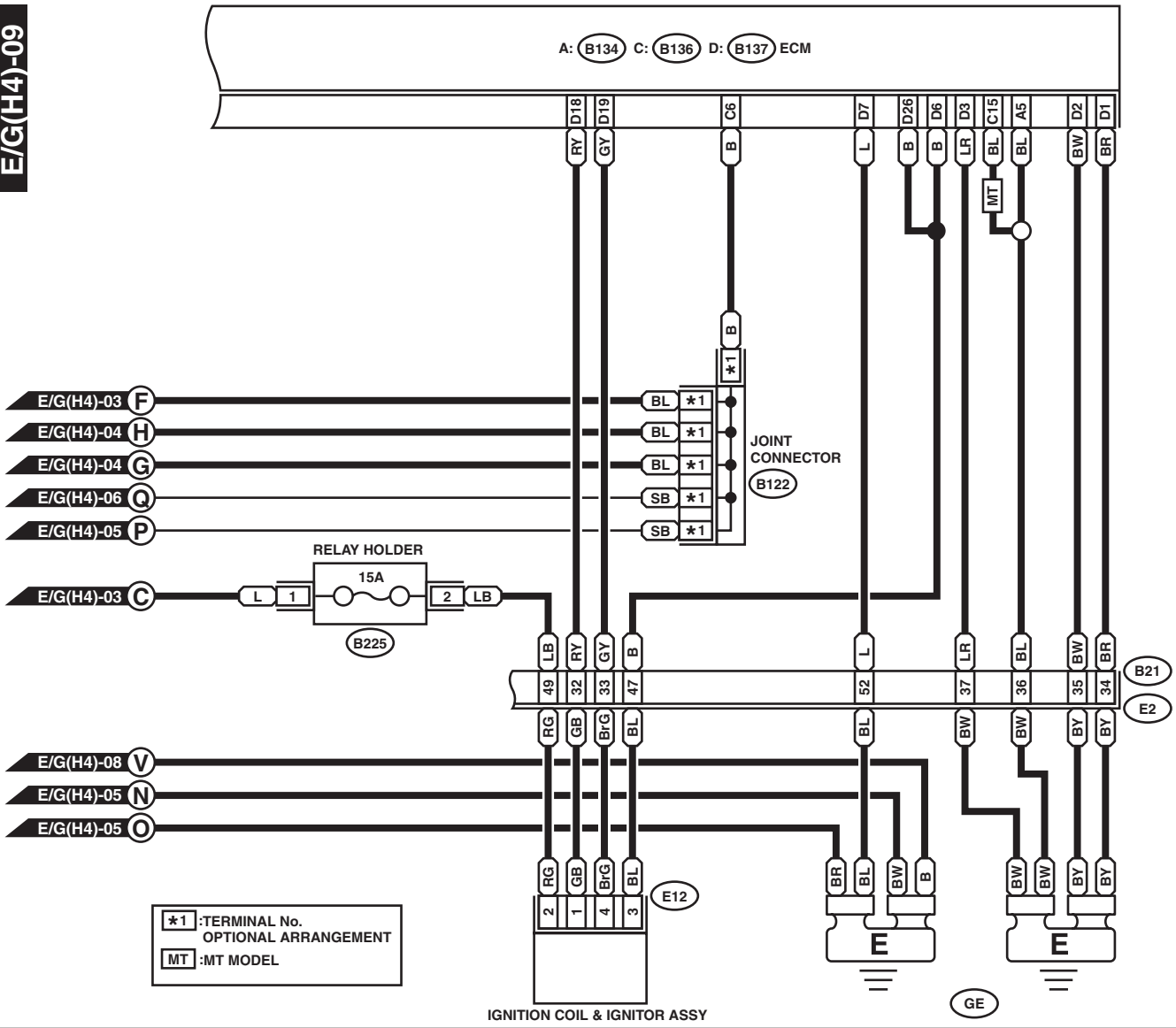
WI-11892

Engine Electrical System

WIRING SYSTEM

E/G(H4)-09

E/G(H4)-09



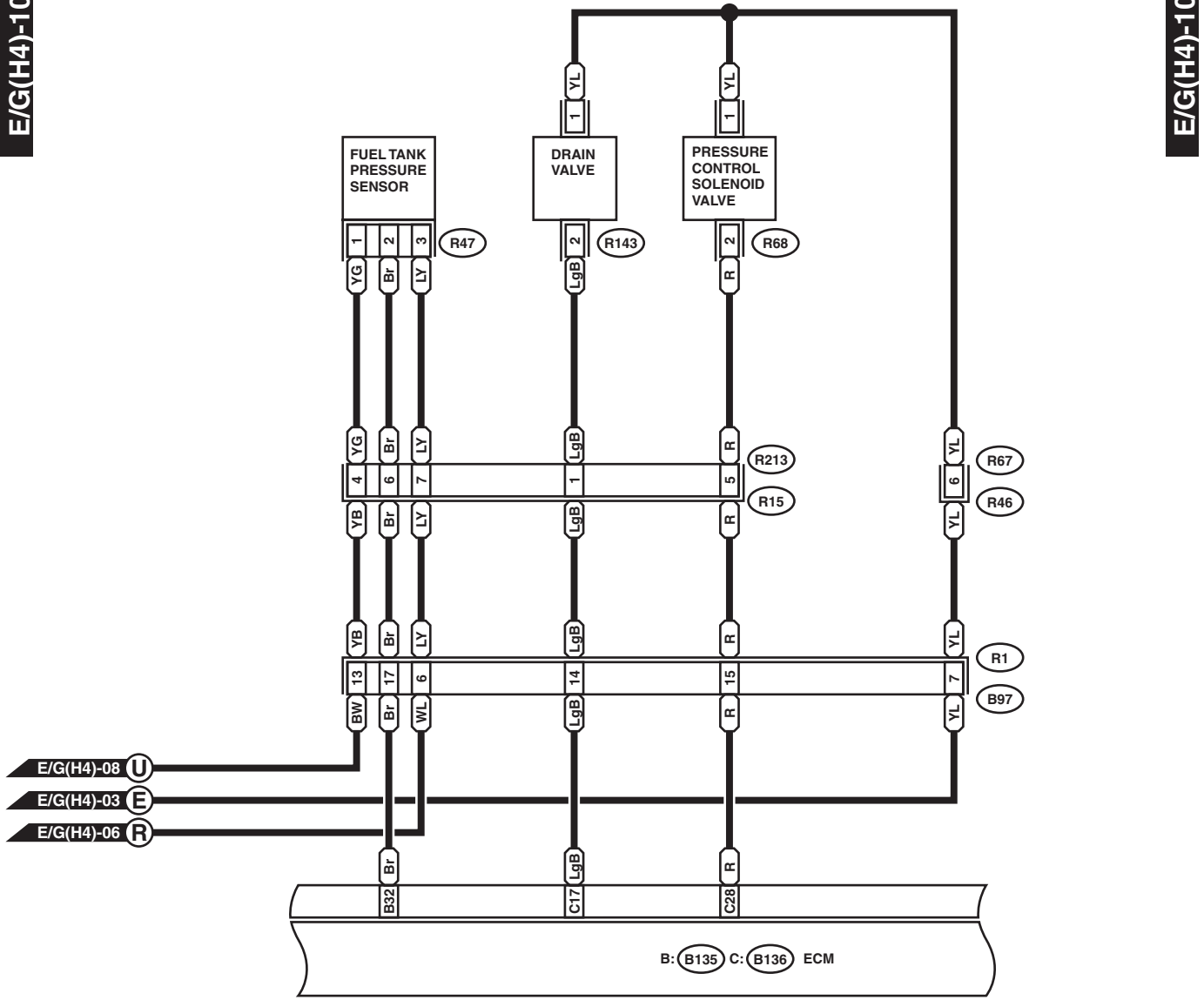
WI-11893

Engine Electrical System

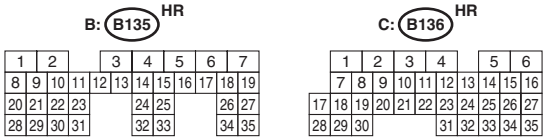
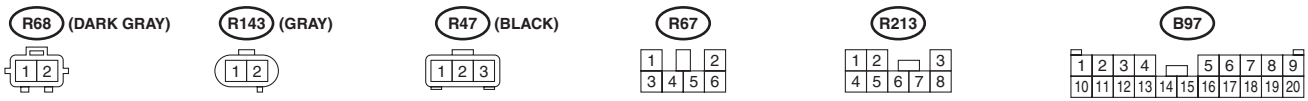
WIRING SYSTEM

E/G(H4)-10

E/G(H4)-10



E/G(H4)-08 U
E/G(H4)-03 E
E/G(H4)-06 R

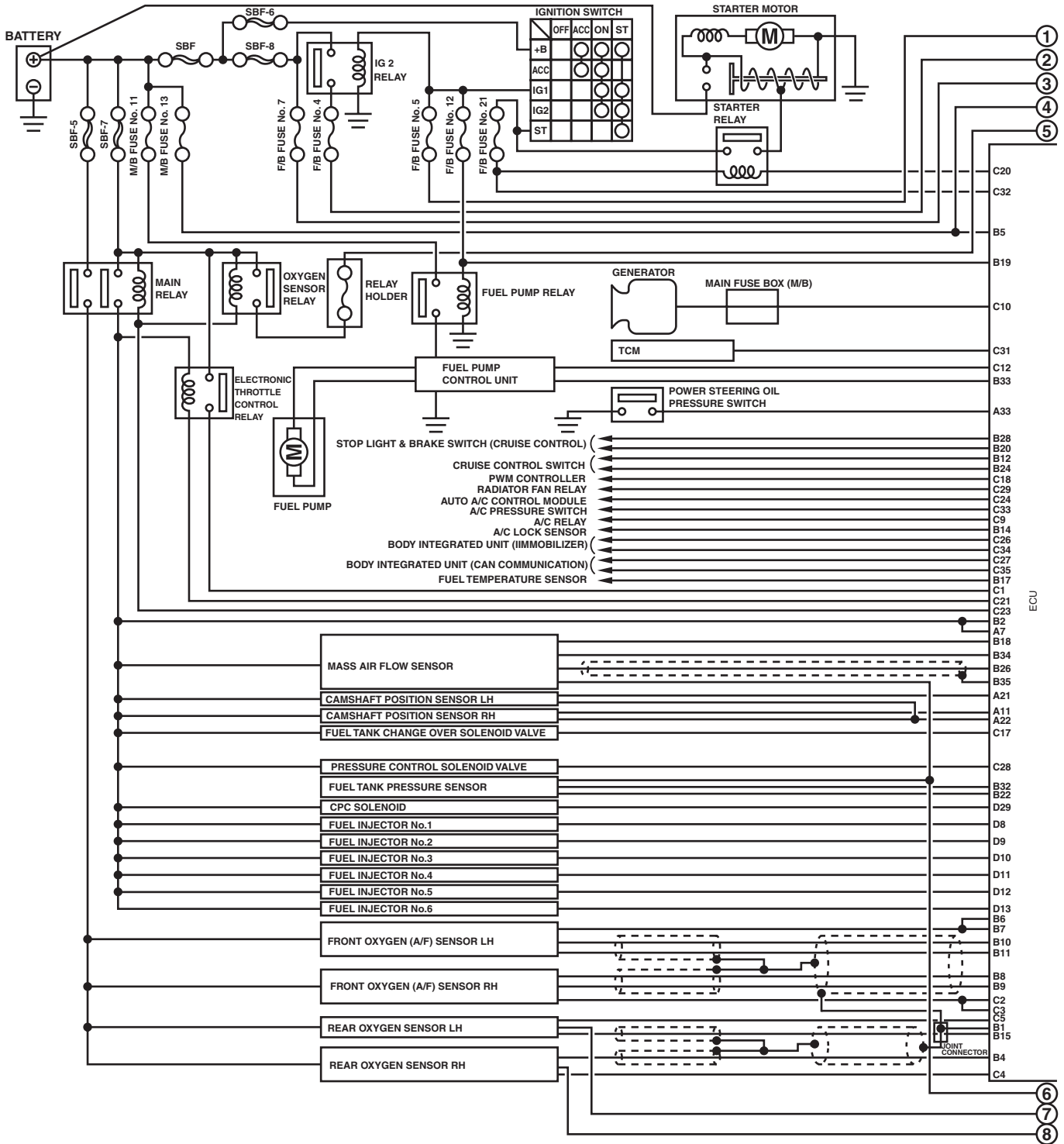


WI-11894

Engine Electrical System

WIRING SYSTEM

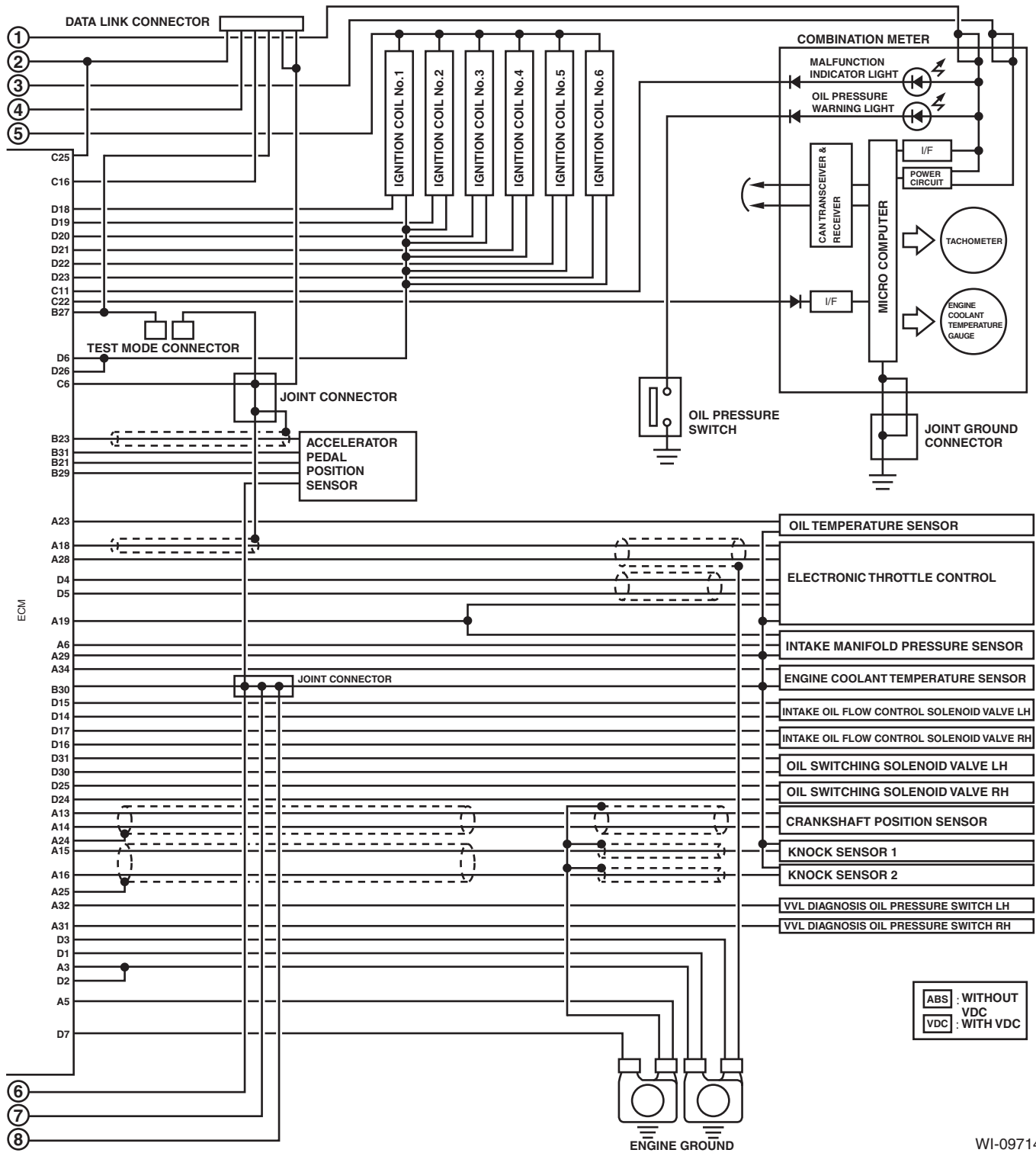
2. 3.0 L MODEL



WI-09713

Engine Electrical System

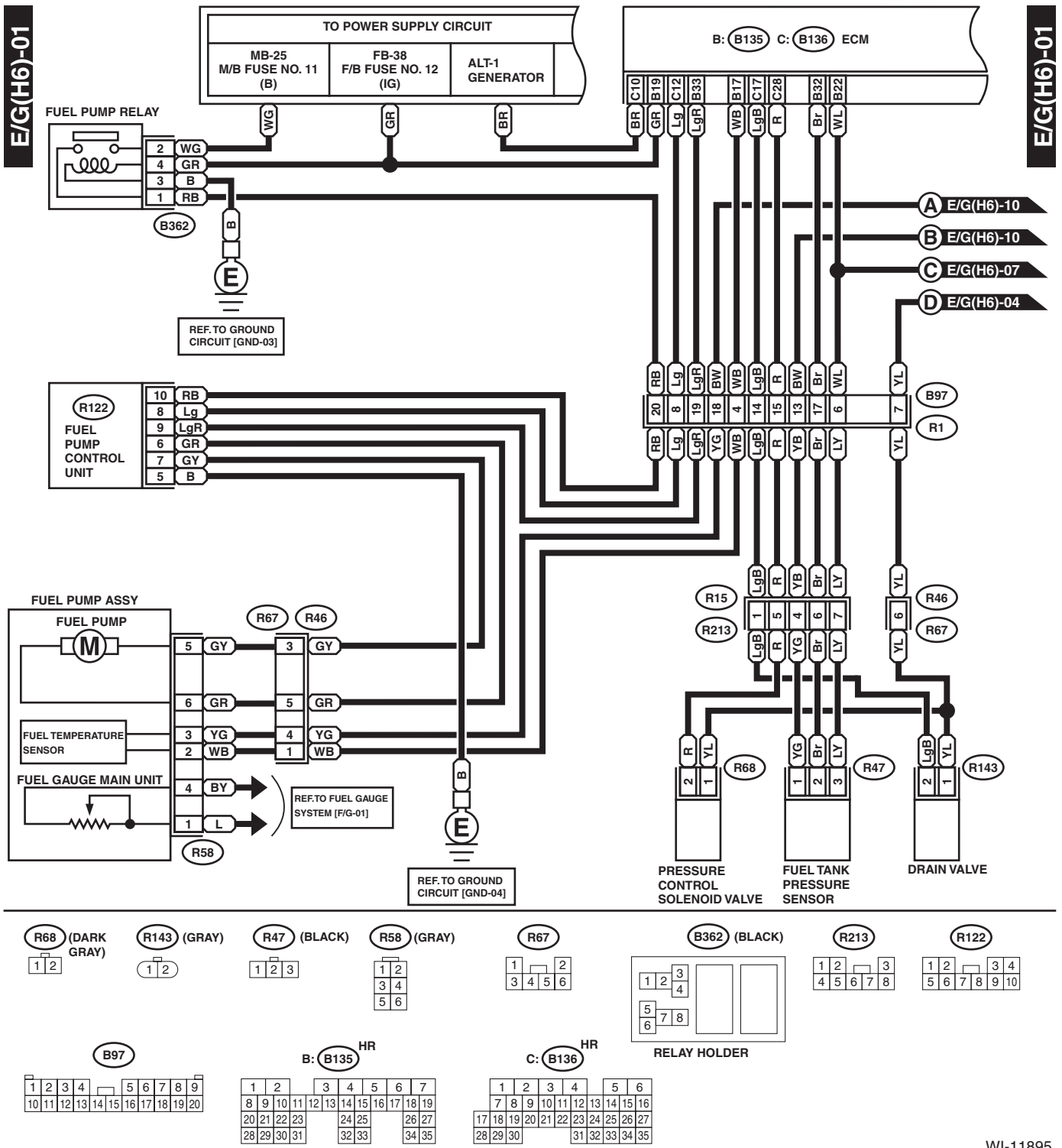
WIRING SYSTEM



WI-09714

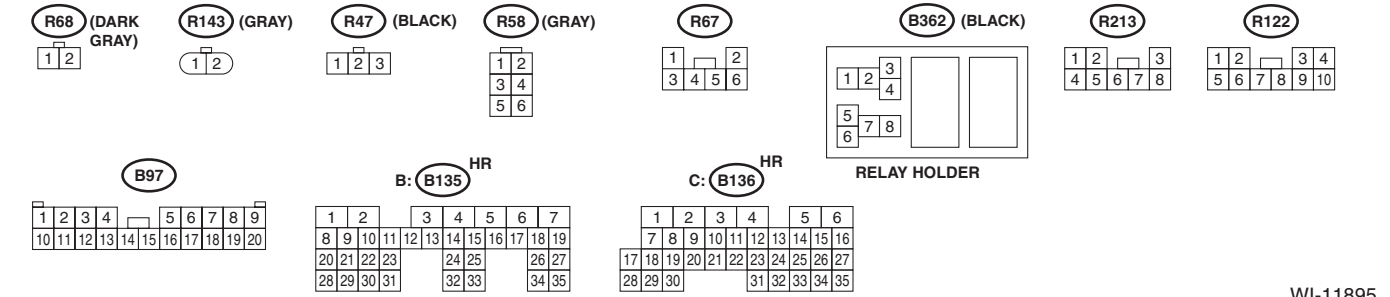
Engine Electrical System

WIRING SYSTEM



E/G(H6)-01

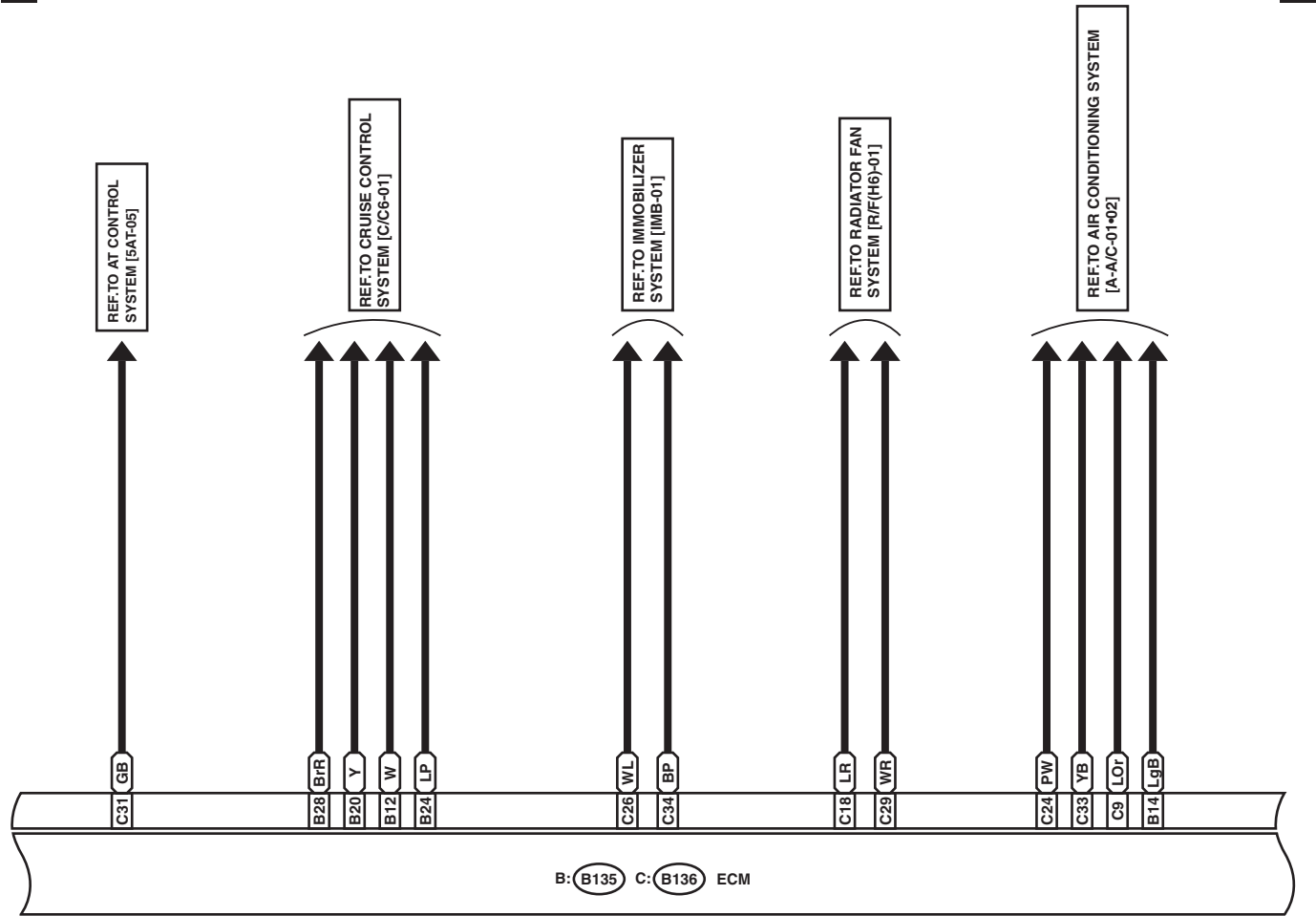
E/G(H6)-01



WI-11895

E/G(H6)-02

E/G(H6)-02



B: B135 HR

1	2	3	4	5	6	7					
8	9	10	11	12	13	14	15	16	17	18	19
20	21	22	23	24	25	26	27				
28	29	30	31	32	33	34	35				

C: B136 HR

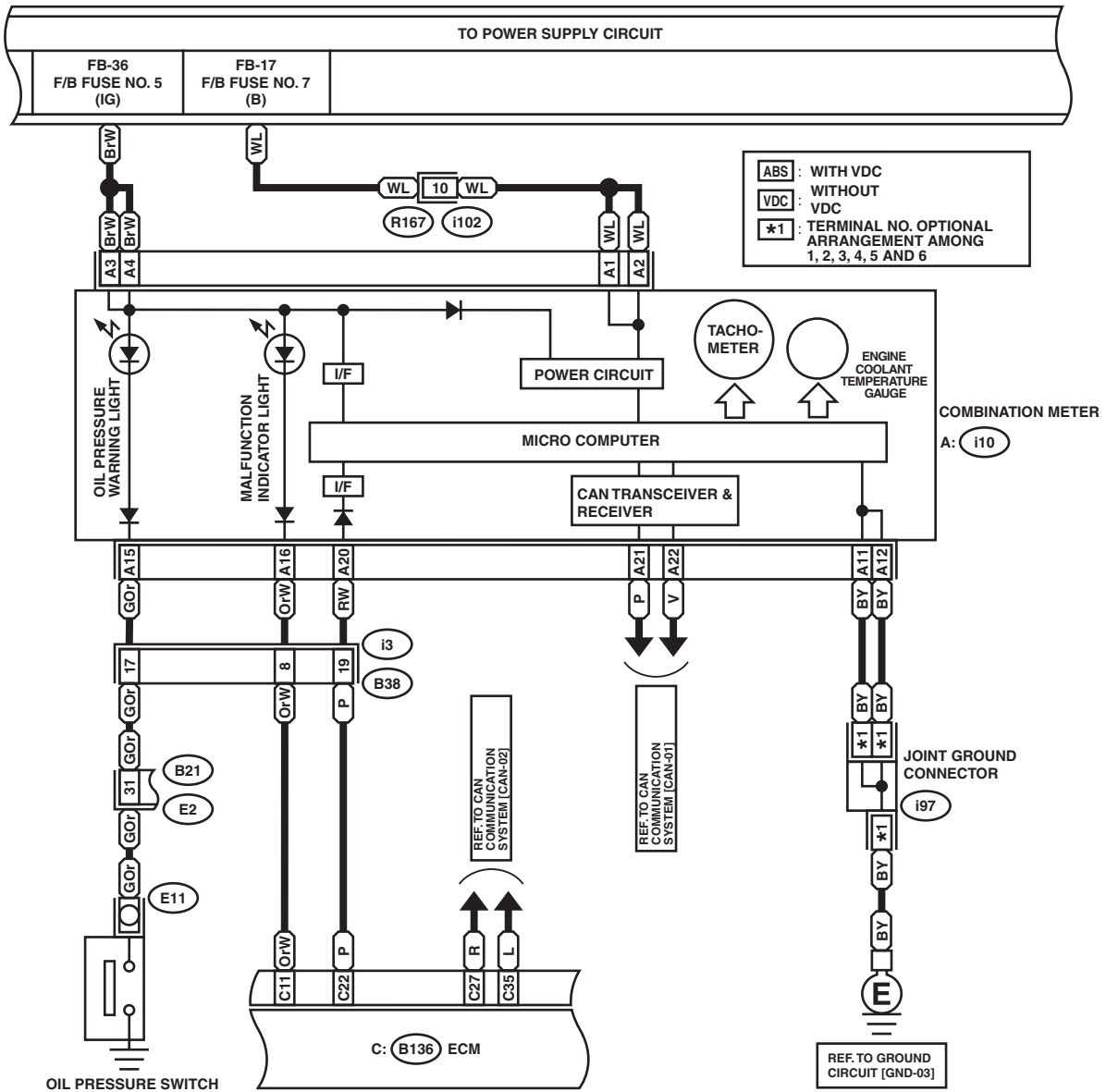
1	2	3	4	5	6					
7	8	9	10	11	12	13	14	15	16	
17	18	19	20	21	22	23	24	25	26	27
28	29	30	31	32	33	34	35			

Engine Electrical System

WIRING SYSTEM

E/G(H6)-03

E/G(H6)-03



i97

1	2	3	4	5	6
7	8	9	10	11	12

i102

1	2	3	4	5	6	7		
8	9	10	11	12	13	14	15	16

B38

1	2	3	4	5	6	7	8	9		
10	11	12	13	14	15	16	17	18	19	20

A: i10 (GREEN)

1	2	3	4	5	6	7	8	9	10		
11	12	13	14	15	16	17	18	19	20	21	22

C: B136 HR

1	2	3	4	5	6					
7	8	9	10	11	12	13	14	15	16	
17	18	19	20	21	22	23	24	25	26	27
28	29	30	31	32	33	34	35			

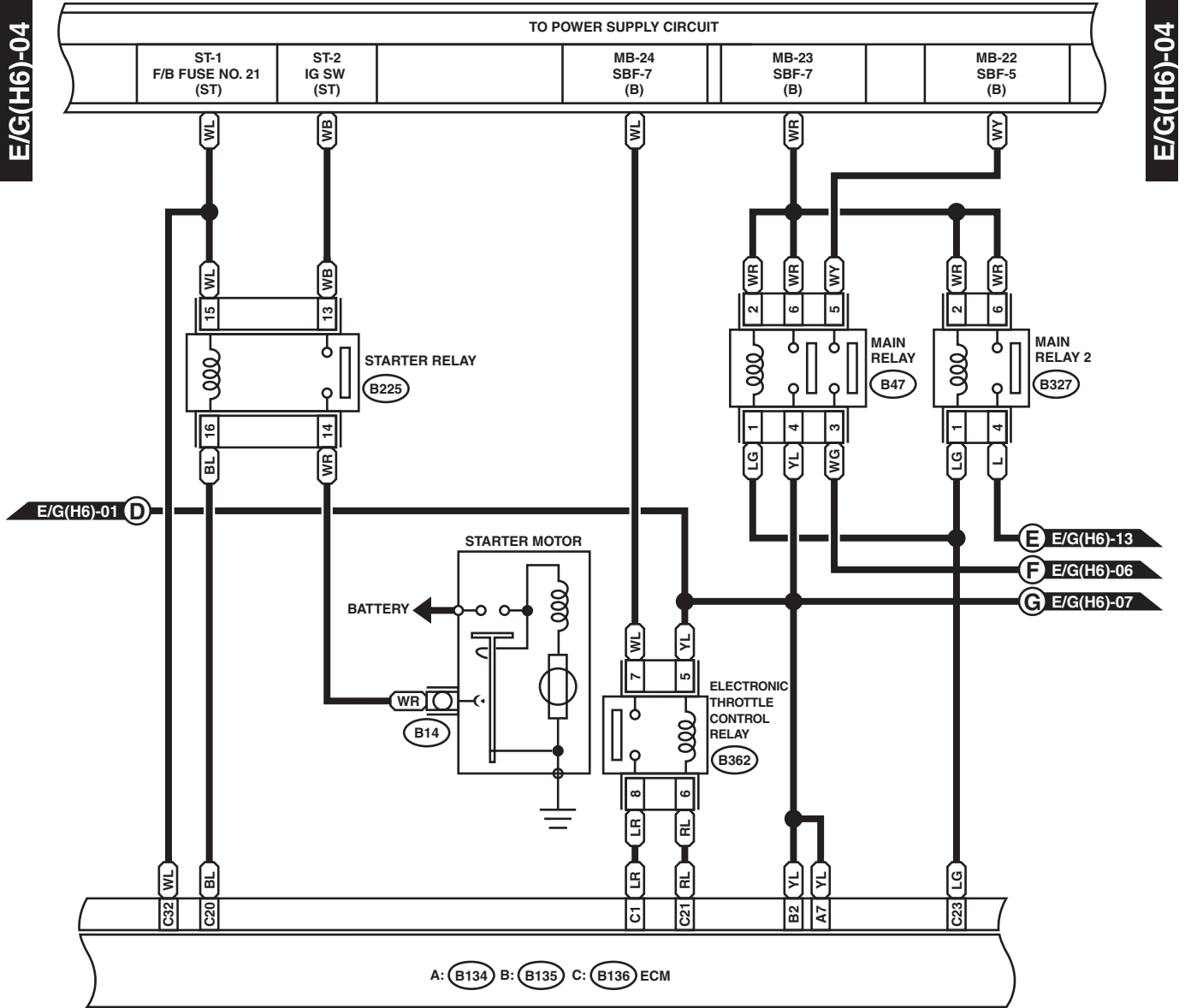
B21 (BLACK)

1	2	3	4	5	6	7	8	9	10	11
12	13	14	15	16	17	18	19	20	21	22
23	24	25	26	27	28	29	30	31	32	33
34	35	36	37	38	39	40	41			
42	43	44	45	46	47					
48	49	50	51	52	53	54				

WI-11897

Engine Electrical System

WIRING SYSTEM

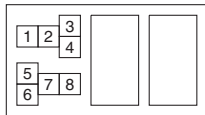


B47 (BROWN)

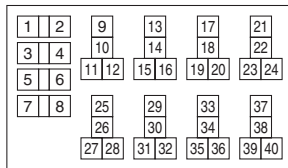
B362 (BLACK)

B327 (BROWN)

1	2
3	4
5	6



B225 (BLACK)



RELAY BLOCK

A: B134 HR

1	2	3	4	5	6	7
8	9	10	11	12	13	14
15	16	17	18	19	20	21
22	23	24	25	26	27	28
29	30	31	32	33	34	

B: B135 HR

1	2	3	4	5	6	7
8	9	10	11	12	13	14
15	16	17	18	19	20	21
22	23	24	25	26	27	28
29	30	31	32	33	34	35

C: B136 HR

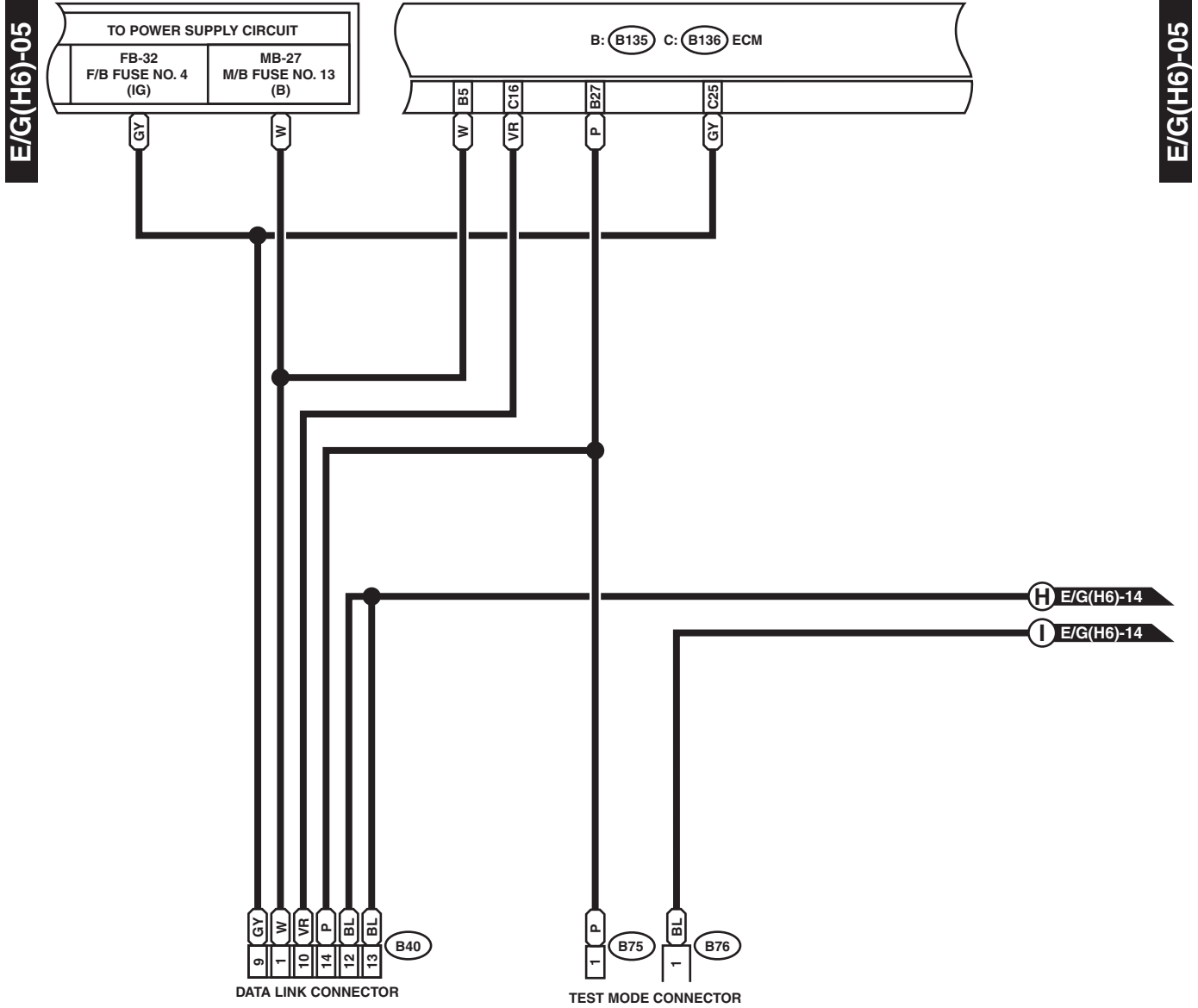
1	2	3	4	5	6
7	8	9	10	11	12
13	14	15	16	17	18
19	20	21	22	23	24
25	26	27	28	29	30
31	32	33	34	35	

RELAY HOLDER

WI-11898

Engine Electrical System

WIRING SYSTEM



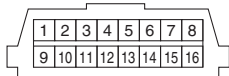
(B75) (GREEN)



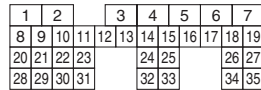
(B76) (GREEN)



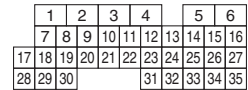
(B40) (BLACK)



B: (B135) HR



C: (B136) HR



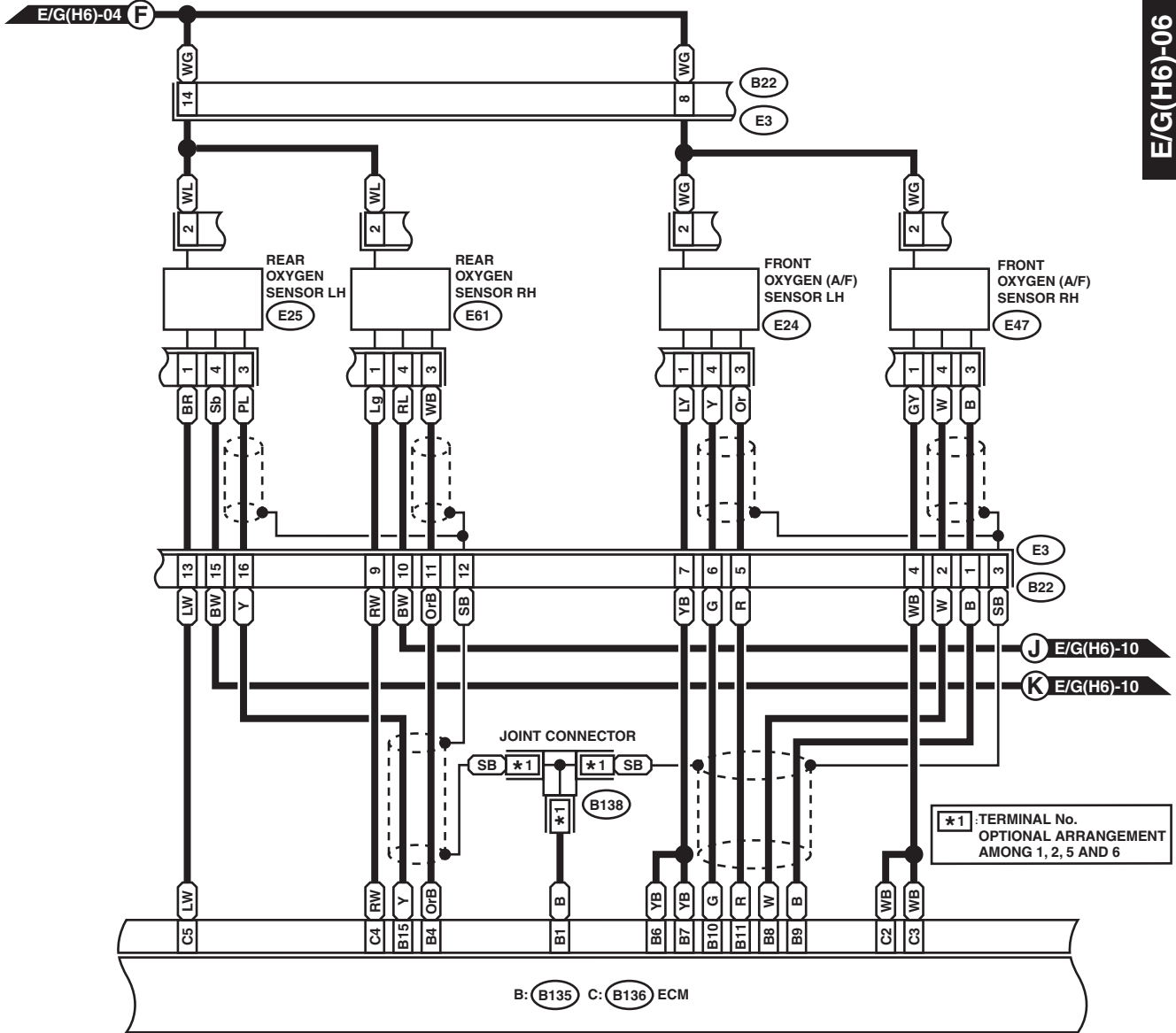
WI-11899

Engine Electrical System

WIRING SYSTEM

E/G(H6)-06

E/G(H6)-06



*1: TERMINAL No. OPTIONAL ARRANGEMENT AMONG 1, 2, 5 AND 6

- E24 (LIGHT GRAY)
 - E25 (LIGHT GRAY)
 - E47 (DARK GRAY)
 - E61 (DARK GRAY)
- | | |
|---|---|
| 1 | 2 |
| 3 | 4 |

B138

1	2	3	4
5	6	7	8
9	10	11	12
13	14	15	16

B22 (BROWN)

1	2	3	4
5	6	7	8
9	10	11	12
13	14	15	16

B: B135^{HR}

1	2	3	4	5	6	7
8	9	10	11	12	13	14
15	16	17	18	19	20	21
22	23	24	25	26	27	28
29	30	31	32	33	34	35

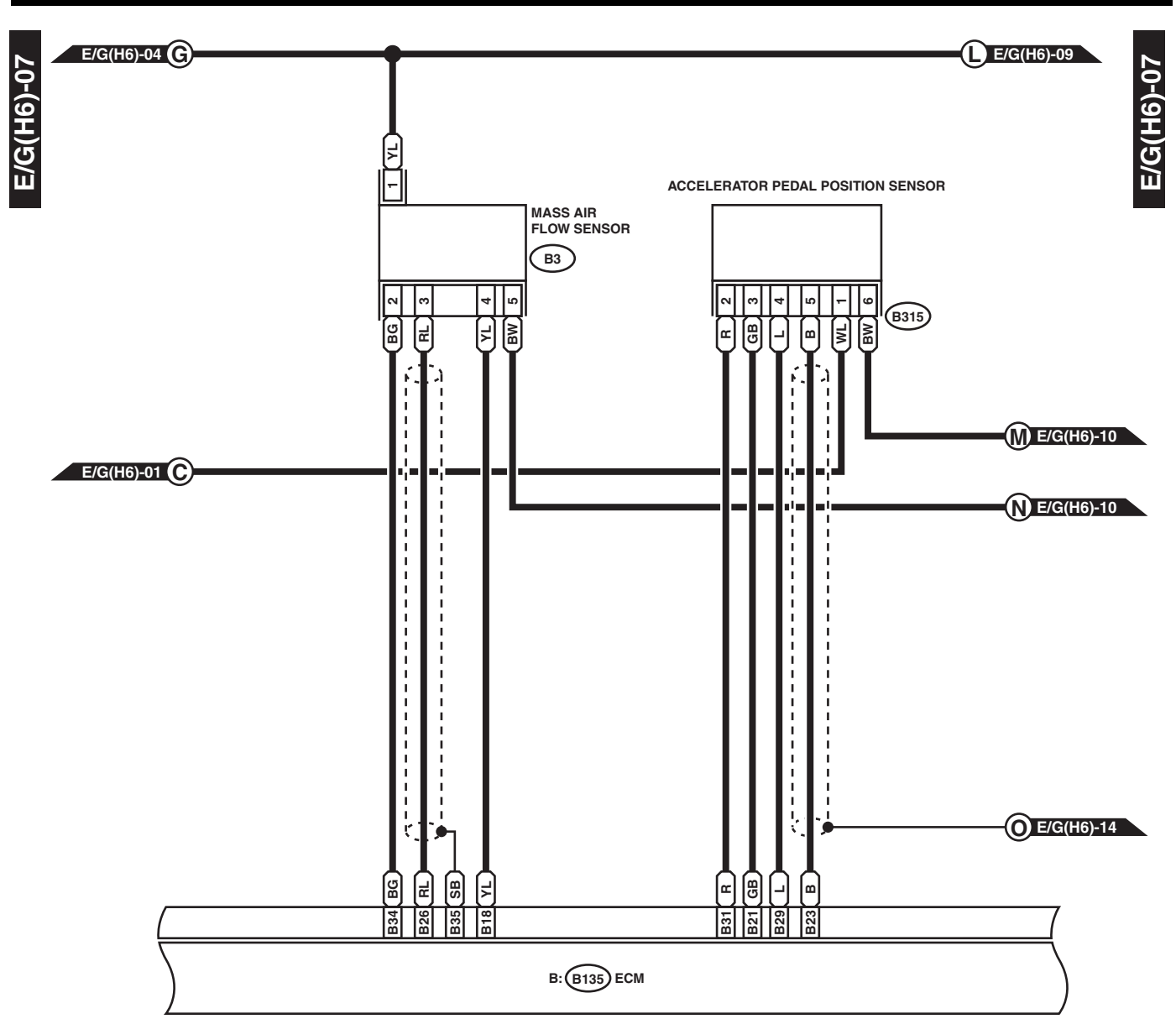
C: B136^{HR}

1	2	3	4	5	6
7	8	9	10	11	12
13	14	15	16	17	18
19	20	21	22	23	24
25	26	27	28	29	30
31	32	33	34	35	

WI-11900

Engine Electrical System

WIRING SYSTEM



HR
B3 (BLACK)

1	2	3	4	5
---	---	---	---	---

HR
B315 (BLACK)

1	2	3	4	5	6
---	---	---	---	---	---

HR
B: B135

1	2	3	4	5	6	7
8	9	10	11	12	13	14
15	16	17	18	19	20	21
22	23	24	25	26	27	28
29	30	31	32	33	34	35

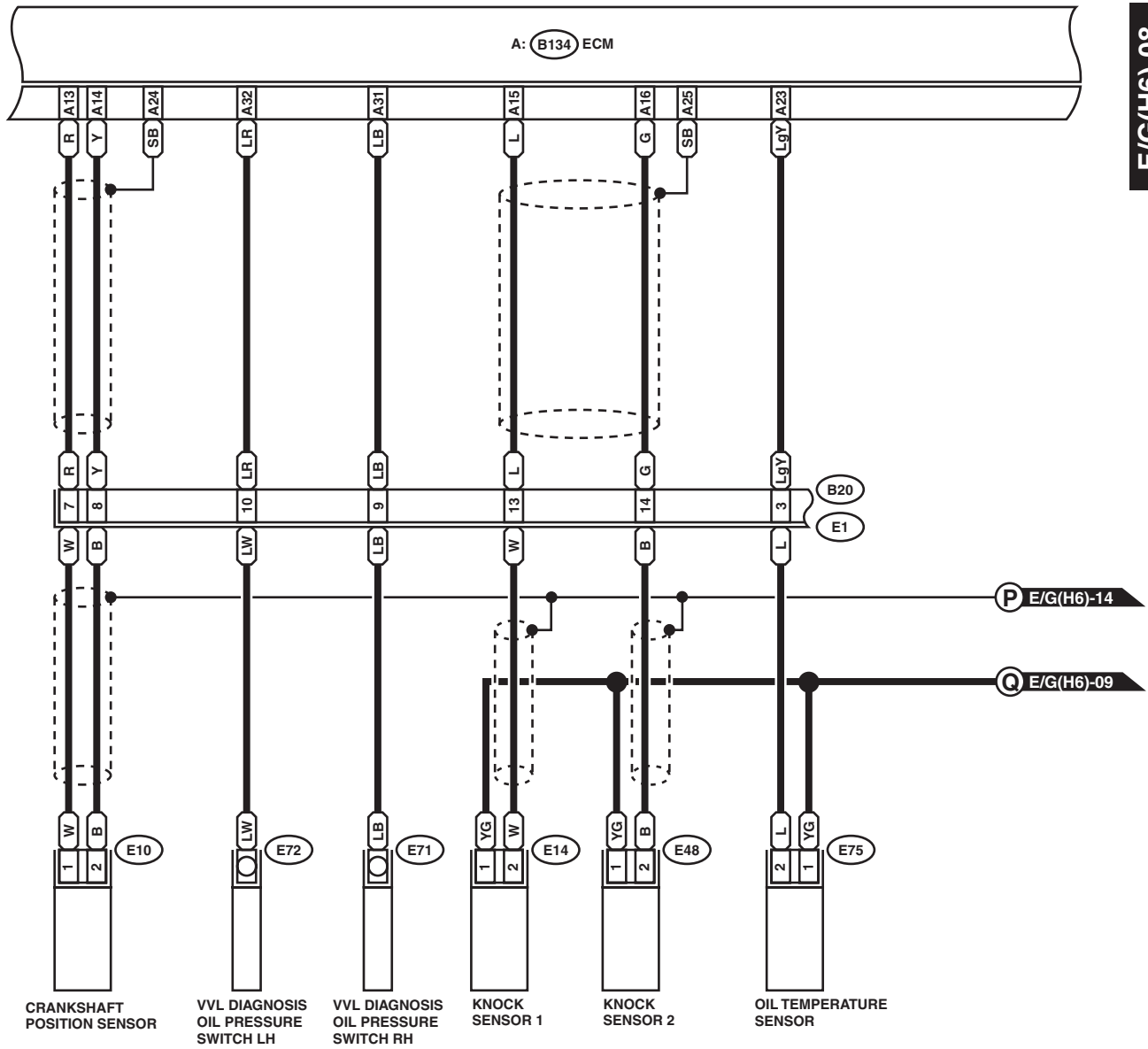
WI-11901

Engine Electrical System

WIRING SYSTEM

E/G(H6)-08

E/G(H6)-08



E10 (LIGHT GRAY)

E14 (BLUE)

E48 (BLUE)

E75 (BLACK)

1 2

B20 (BROWN)

1	2	3	4
5	6	7	8
9	10	11	12
13	14	15	16

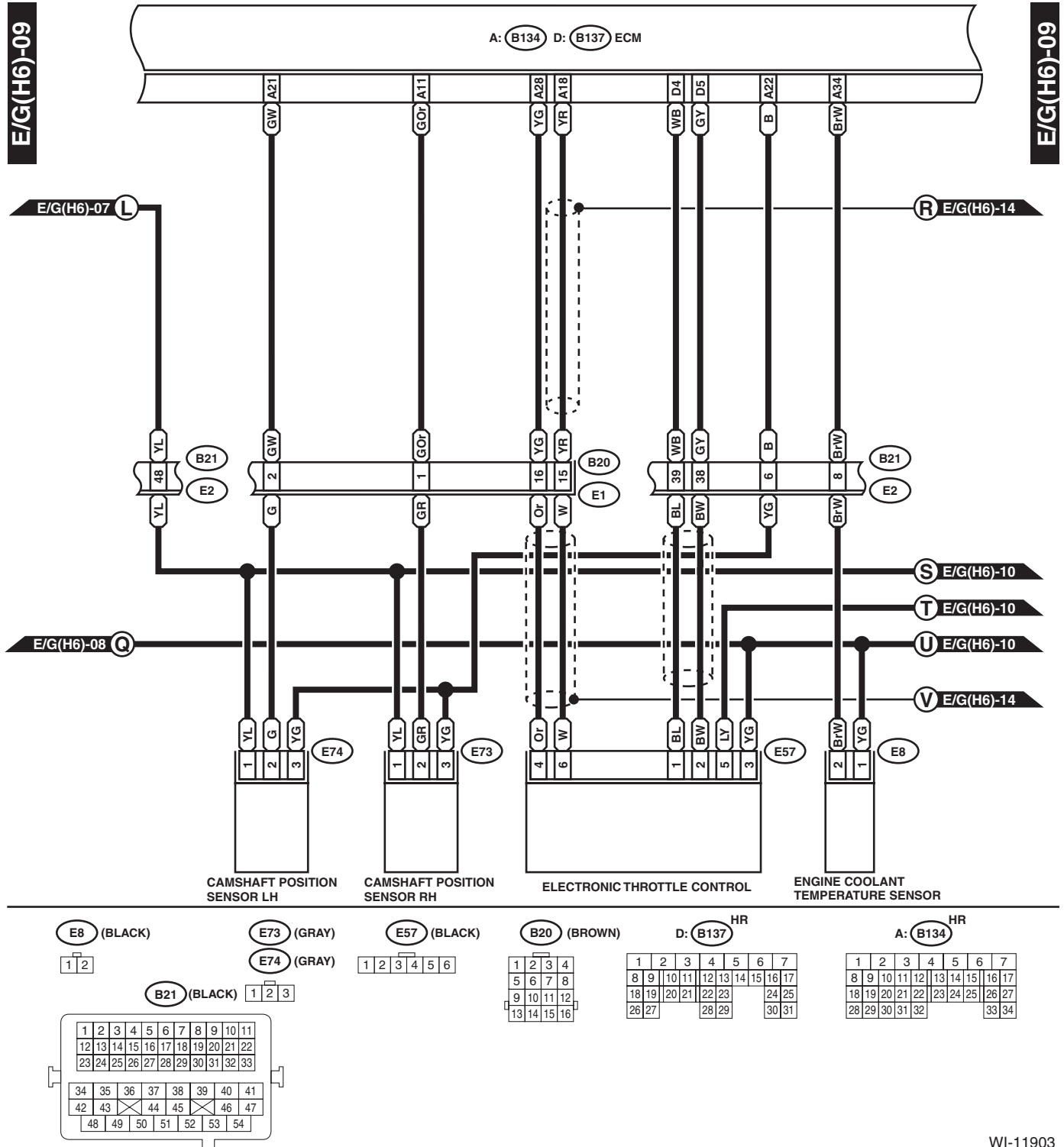
A: B134 HR

1	2	3	4	5	6	7
8	9	10	11	12	13	14
15	16	17	18	19	20	21
22	23	24	25	26	27	28
29	30	31	32	33	34	

WI-11902

Engine Electrical System

WIRING SYSTEM



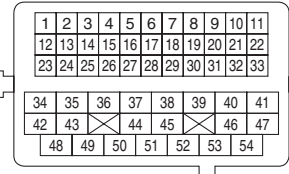
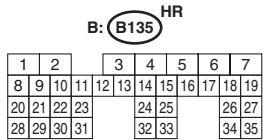
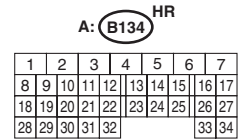
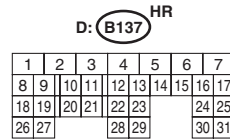
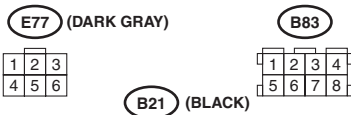
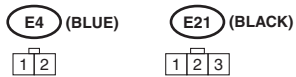
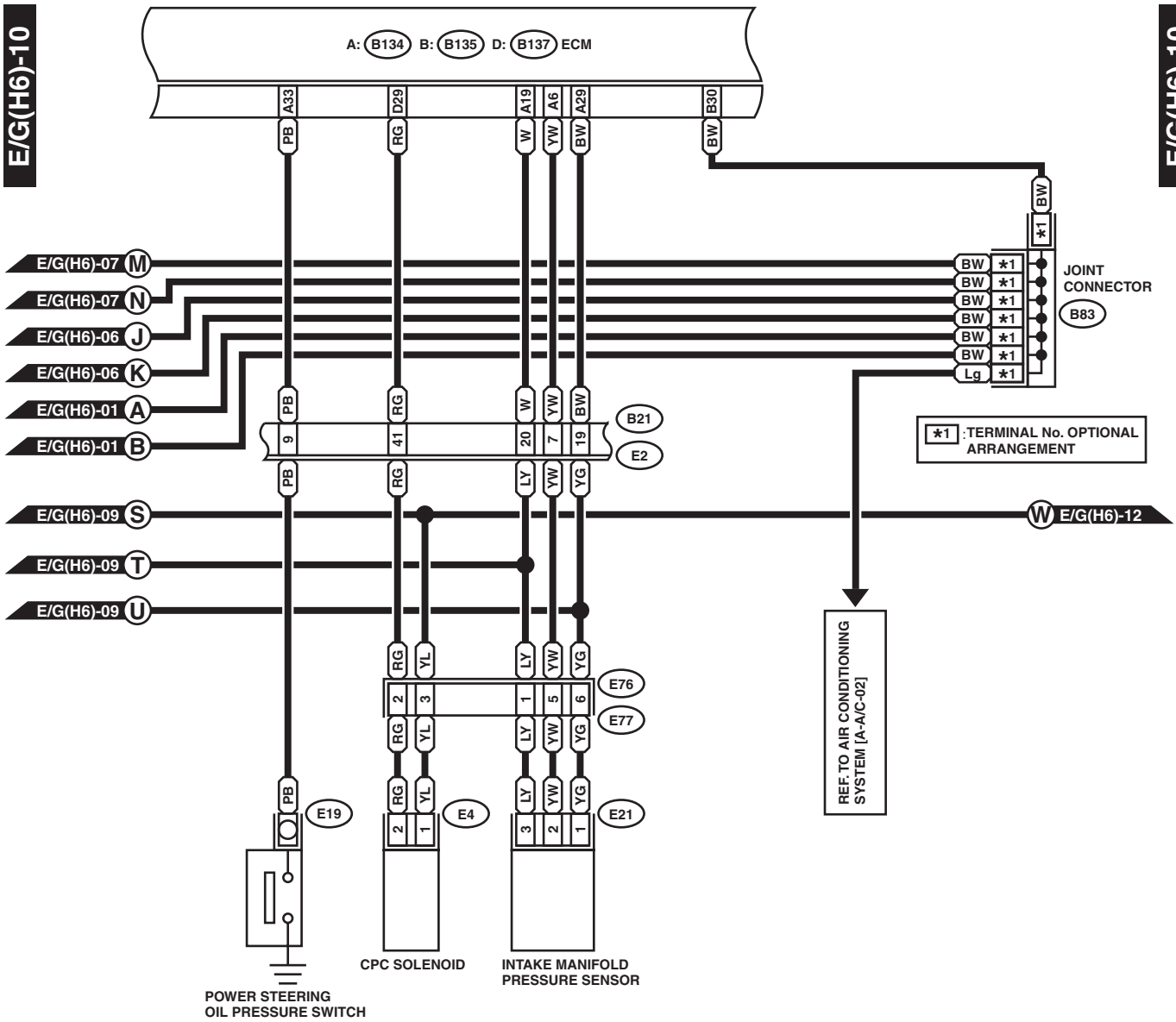
WI-11903

Engine Electrical System

WIRING SYSTEM

E/G(H6)-10

E/G(H6)-10



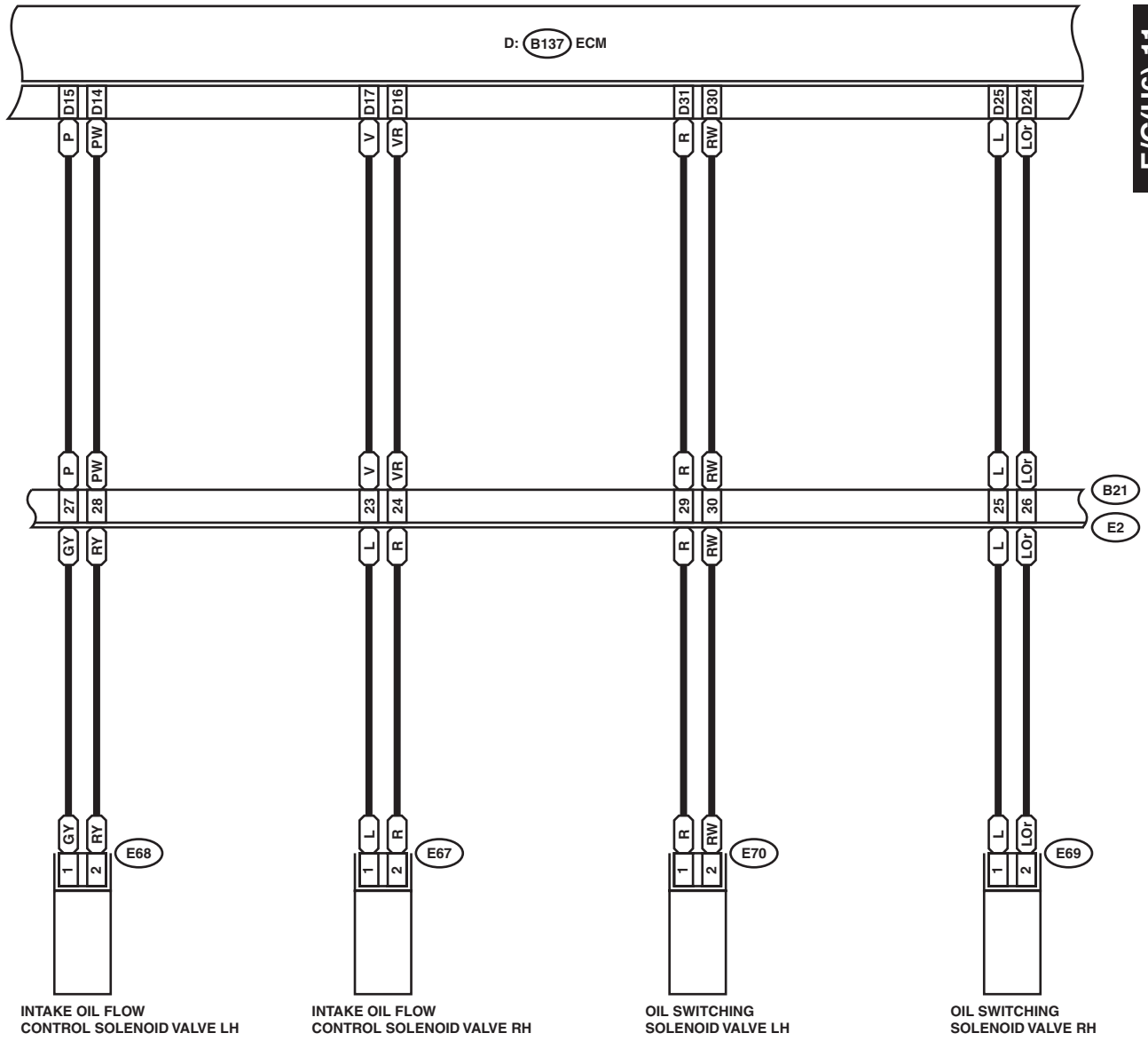
WI-11904

Engine Electrical System

WIRING SYSTEM

E/G(H6)-11

E/G(H6)-11



- E67 (BLACK)
 - E68 (BLACK)
 - E69 (BLUE)
 - E70 (BLUE)
- | | |
|---|---|
| 1 | 2 |
|---|---|

D: B137 HR

1	2	3	4	5	6	7
8	9	10	11	12	13	14
15	16	17	18	19	20	21
22	23	24	25	26	27	28
29	30	31				

B21 (BLACK)

1	2	3	4	5	6	7	8	9	10	11
12	13	14	15	16	17	18	19	20	21	22
23	24	25	26	27	28	29	30	31	32	33
34	35	36	37	38	39	40	41			
42	43	44	45	46	47					
48	49	50	51	52	53	54				

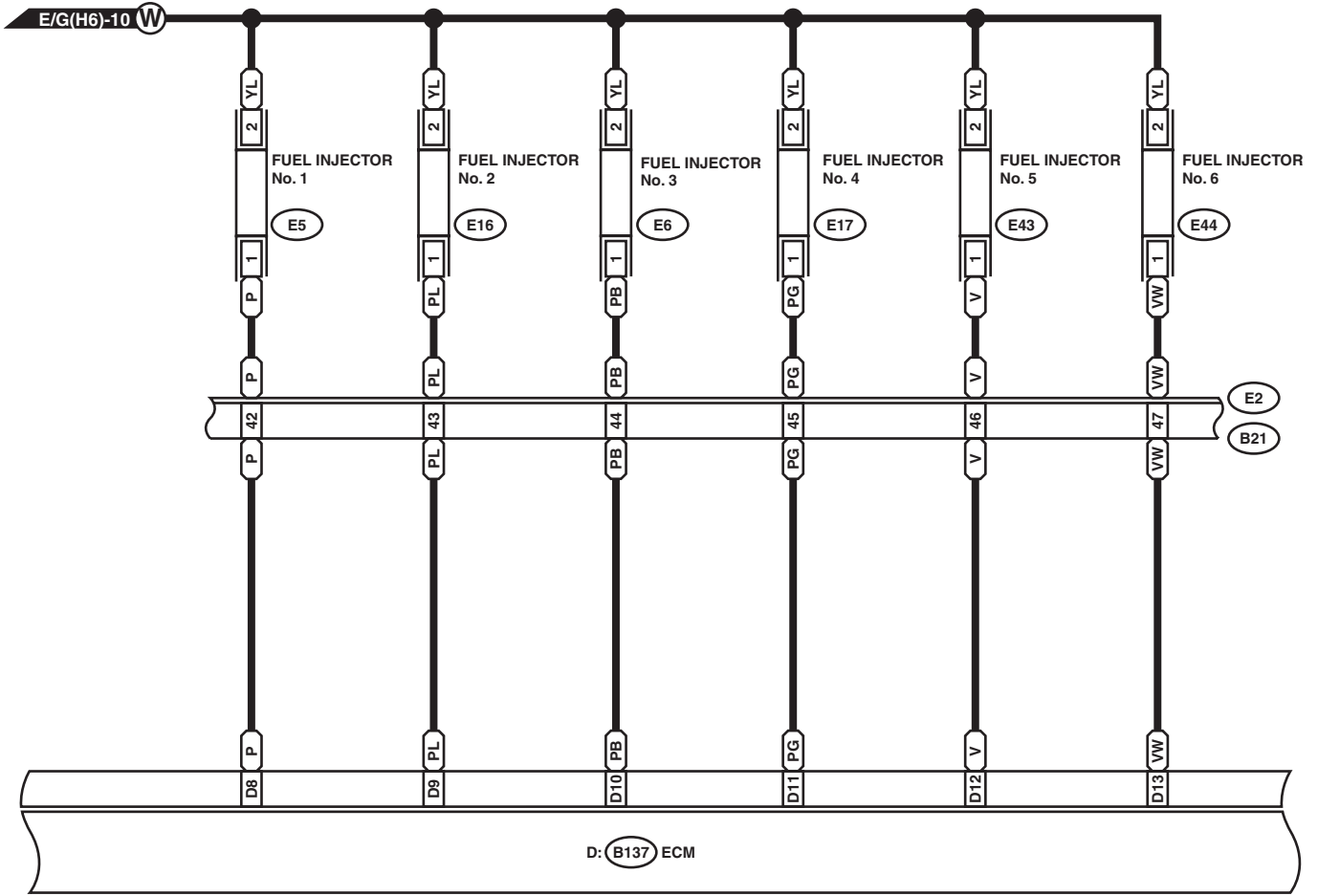
WI-11905

Engine Electrical System

WIRING SYSTEM

E/G(H6)-12

E/G(H6)-12



(DARK GRAY) E5 (DARK GRAY) E17

(DARK GRAY) E6 (DARK GRAY) E43

(DARK GRAY) E16 (DARK GRAY) E44

1 2

D: B137 HR

1	2	3	4	5	6	7
8	9	10	11	12	13	14
15	16	17	18	19	20	21
22	23	24	25	26	27	28
29	30	31				

B21 (BLACK)

1	2	3	4	5	6	7	8	9	10	11
12	13	14	15	16	17	18	19	20	21	22
23	24	25	26	27	28	29	30	31	32	33
34	35	36	37	38	39	40	41			
42	43	44	45	46	47					
48	49	50	51	52	53	54				

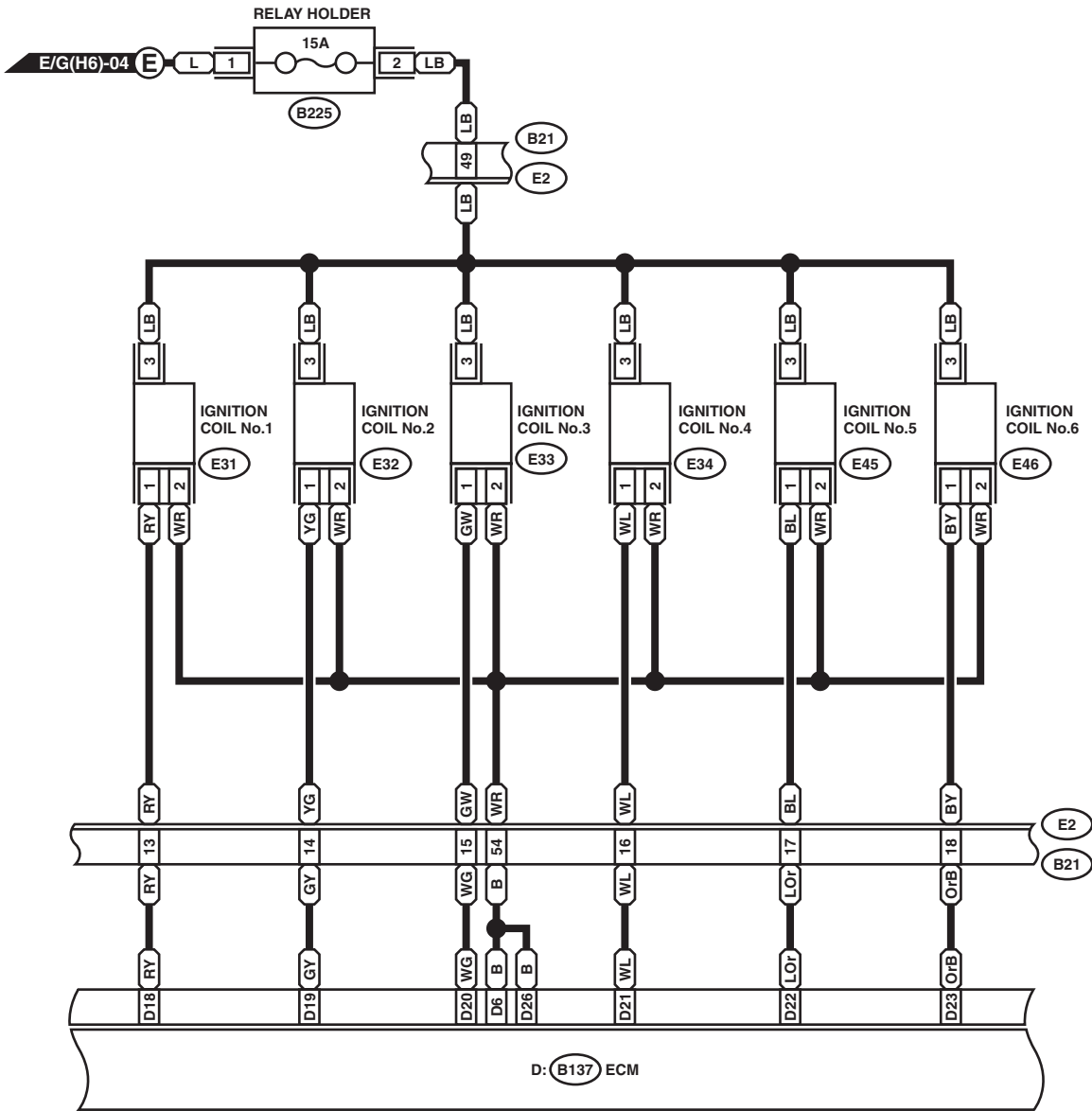
WI-11906

Engine Electrical System

WIRING SYSTEM

E/G(H6)-13

E/G(H6)-13



(BLACK) E31 E32 (BLACK)

E33 E34

(BLACK) E45 E46 (BLACK)

1
2
3

HR
D: B137

1	2	3	4	5	6	7
8	9	10	11	12	13	14
15	16	17	18	19	20	21
22	23	24	25	26	27	28
29	30	31				

B225 (BLACK)

1	2	9	13	17	21
3	4	10	14	18	22
5	6	11	15	19	23
7	8	12	16	20	24
25	29	33	37		
26	30	34	38		
27	28	31	32	35	36
39	40				

RELAY BLOCK

B21 (BLACK)

1	2	3	4	5	6	7	8	9	10	11
12	13	14	15	16	17	18	19	20	21	22
23	24	25	26	27	28	29	30	31	32	33
34	35	36	37	38	39	40	41			
42	43	44	45	46	47					
48	49	50	51	52	53	54				

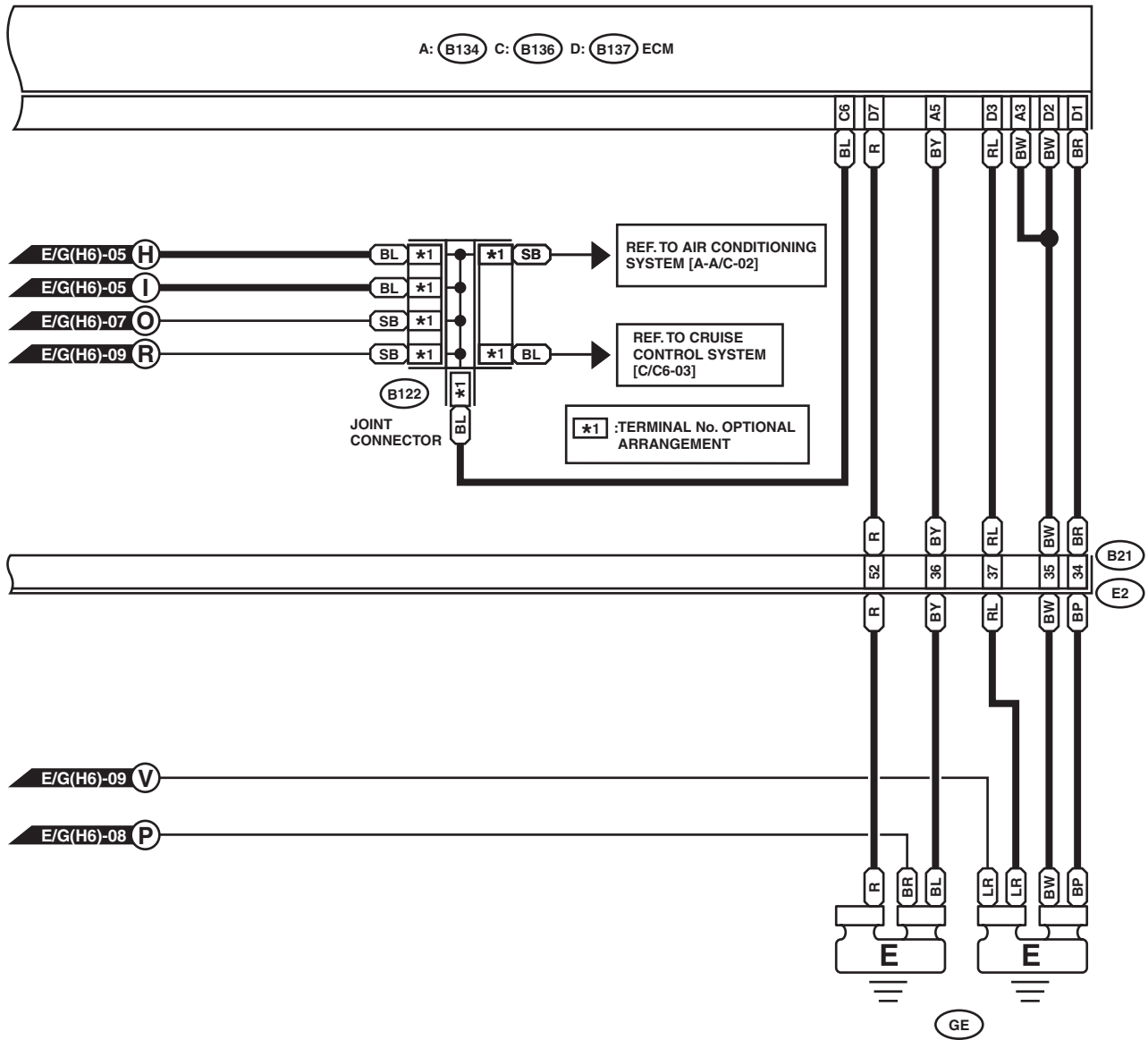
WI-11907

Engine Electrical System

WIRING SYSTEM

E/G(H6)-14

E/G(H6)-14



(B122)

1	2	3	4
5	6	7	8

D: (B137) HR

1	2	3	4	5	6	7
8	9	10	11	12	13	14
15	16	17	18	19	20	21
22	23	24	25	26	27	28
29	30	31	32	33	34	35

A: (B134) HR

1	2	3	4	5	6	7
8	9	10	11	12	13	14
15	16	17	18	19	20	21
22	23	24	25	26	27	28
29	30	31	32	33	34	35

C: (B136) HR

1	2	3	4	5	6
7	8	9	10	11	12
13	14	15	16	17	18
19	20	21	22	23	24
25	26	27	28	29	30
31	32	33	34	35	

(B21) (BLACK)

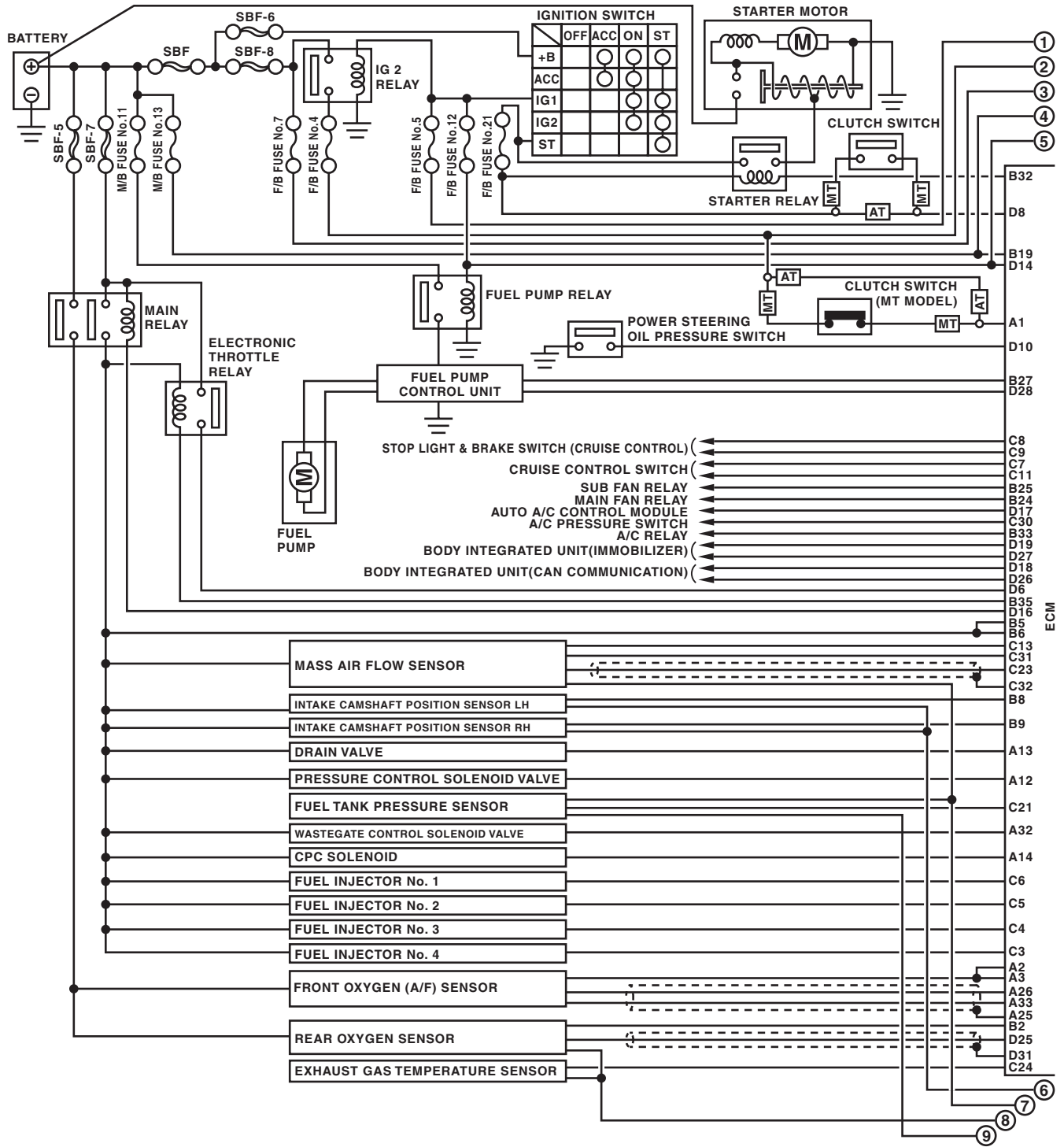
1	2	3	4	5	6	7	8	9	10	11
12	13	14	15	16	17	18	19	20	21	22
23	24	25	26	27	28	29	30	31	32	33
34	35	36	37	38	39	40	41			
42	43	44	45	46	47					
48	49	50	51	52	53	54				

WI-11908

Engine Electrical System

WIRING SYSTEM

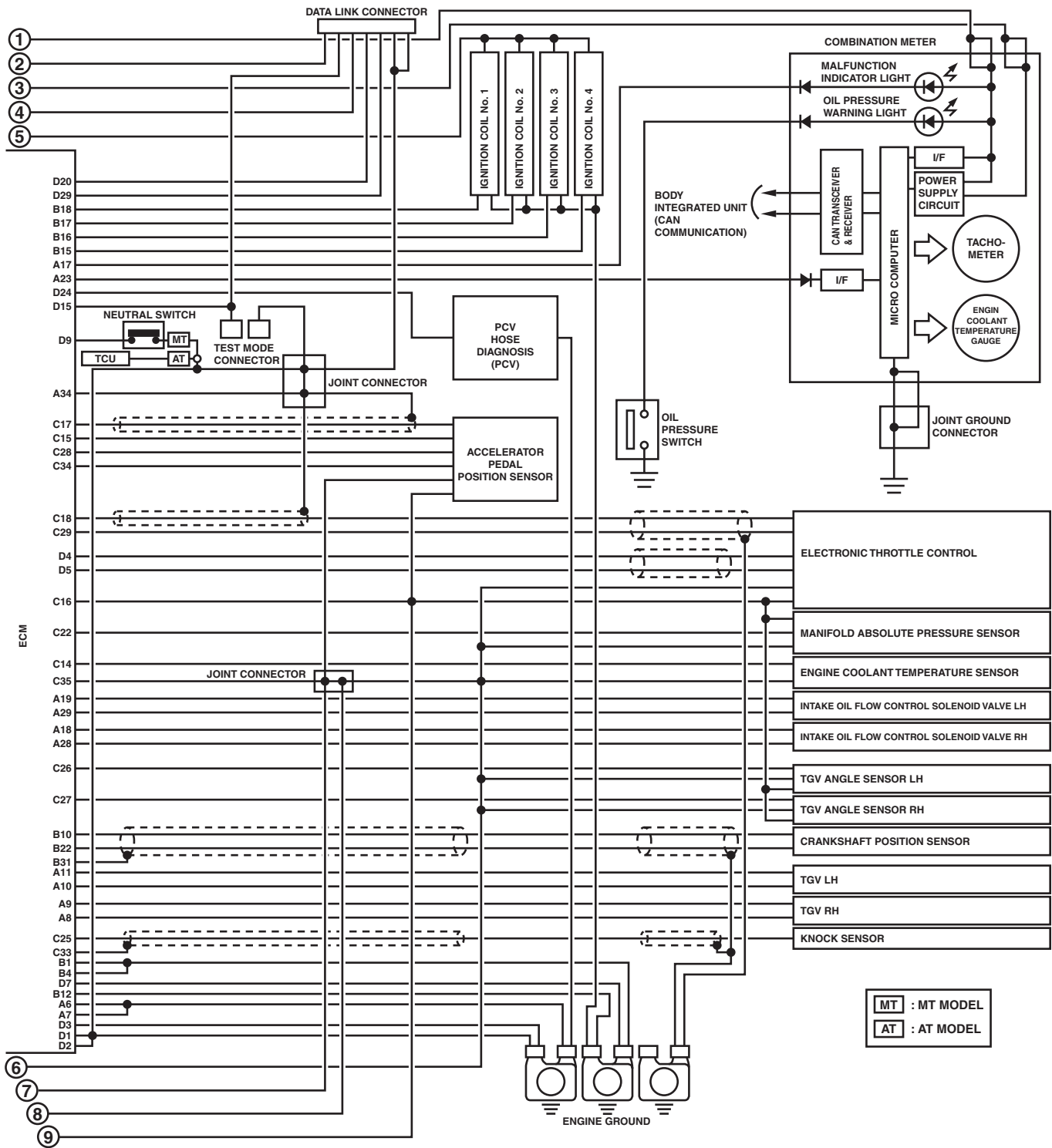
3. 2.5 L TURBO MODEL



WI-11069

Engine Electrical System

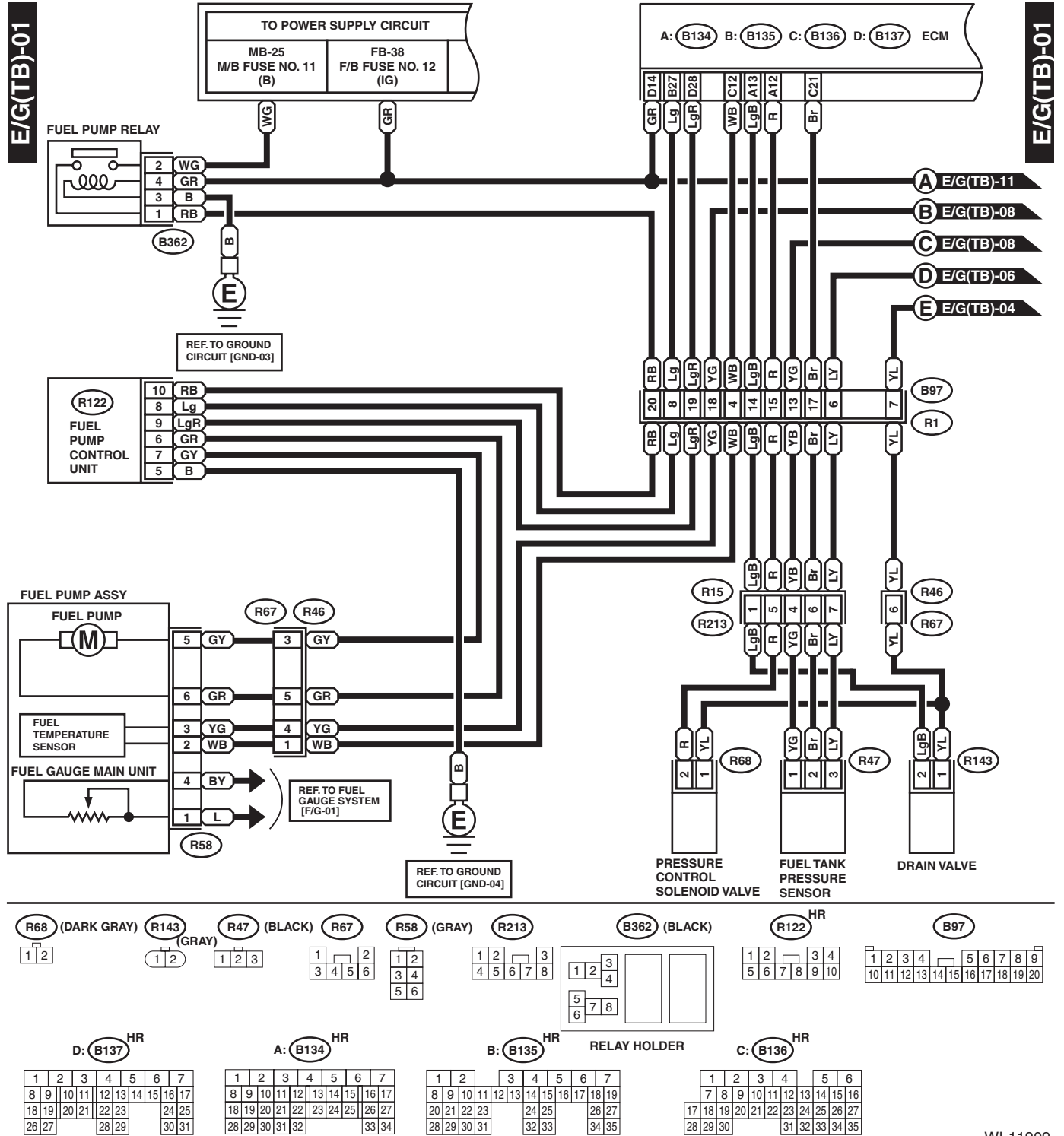
WIRING SYSTEM



WI-10874

Engine Electrical System

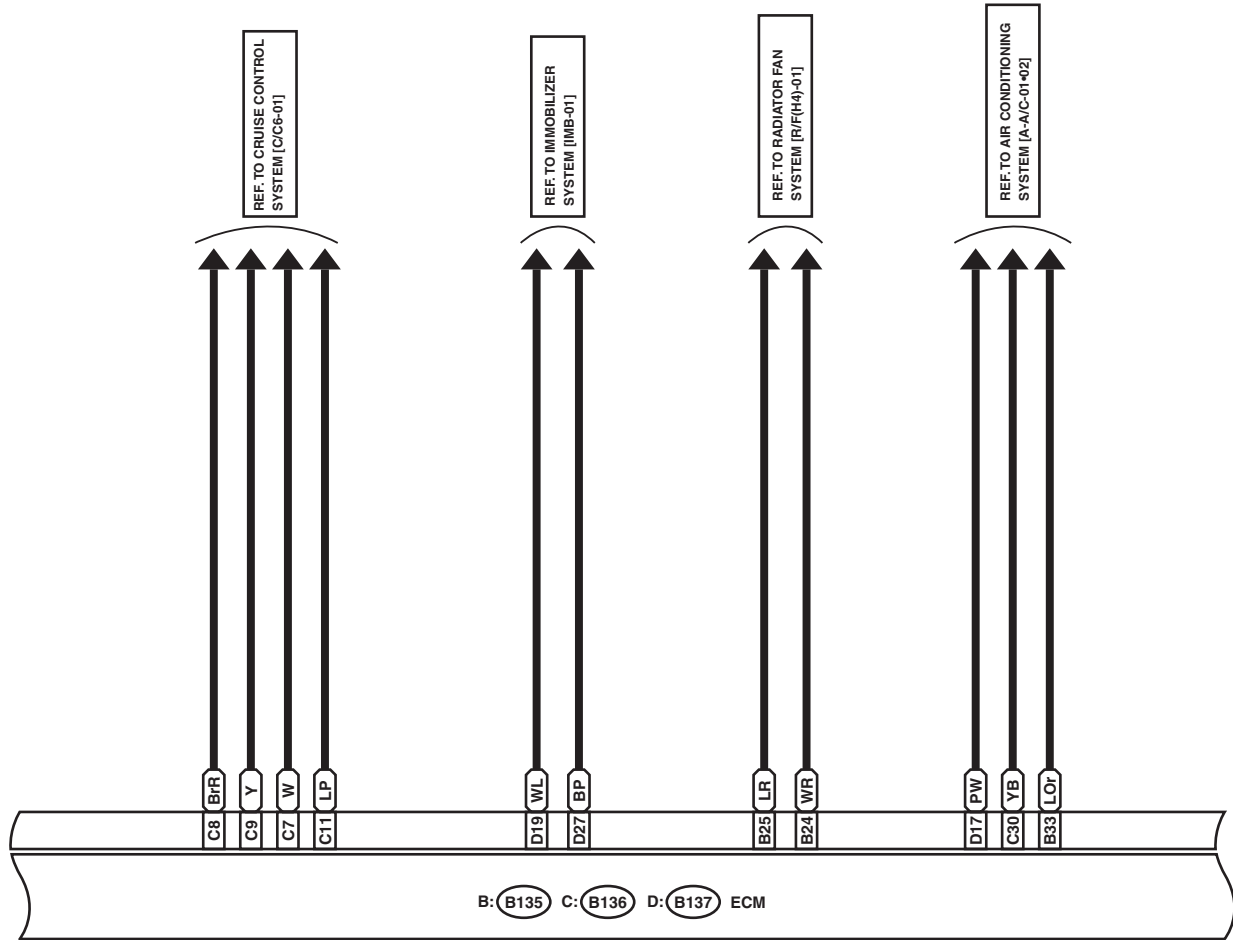
WIRING SYSTEM



WI-11909

E/G(TB)-02

E/G(TB)-02



D: **B137** HR

1	2	3	4	5	6	7
8	9	10	11	12	13	14
15	16	17	18	19	20	21
22	23	24	25	26	27	
28	29	30	31			

B: **B135** HR

1	2	3	4	5	6	7
8	9	10	11	12	13	14
15	16	17	18	19	20	21
22	23	24	25	26	27	
28	29	30	31	32	33	34
35						

C: **B136** HR

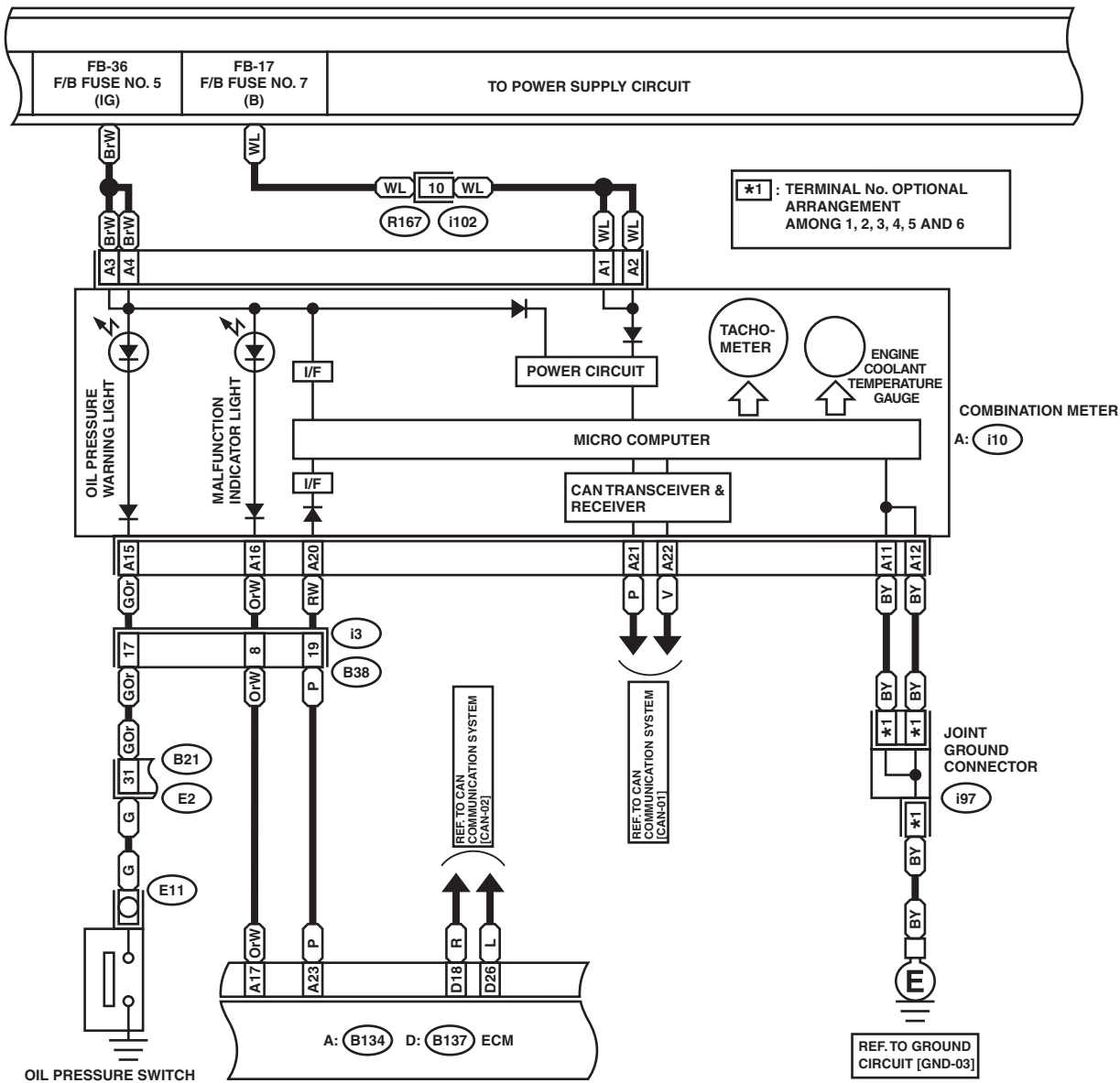
1	2	3	4	5	6
7	8	9	10	11	12
13	14	15	16	17	18
19	20	21	22	23	24
25	26	27	28	29	30
31	32	33	34	35	

Engine Electrical System

WIRING SYSTEM

E/G(TB)-03

E/G(TB)-03



i97

1	2	3	4	5	6
7	8	9	10	11	12

i102

1	2	3	4	5	6	7		
8	9	10	11	12	13	14	15	16

B38

1	2	3	4	5	6	7	8	9		
10	11	12	13	14	15	16	17	18	19	20

A: i10 (GREEN)

1	2	3	4	5	6	7	8	9	10		
11	12	13	14	15	16	17	18	19	20	21	22

D: B137 HR

1	2	3	4	5	6	7			
8	9	10	11	12	13	14	15	16	17
18	19	20	21	22	23	24	25	26	27
28	29	30	31	32	33	34	35	36	37

A: B134 HR

1	2	3	4	5	6	7			
8	9	10	11	12	13	14	15	16	17
18	19	20	21	22	23	24	25	26	27
28	29	30	31	32	33	34	35	36	37

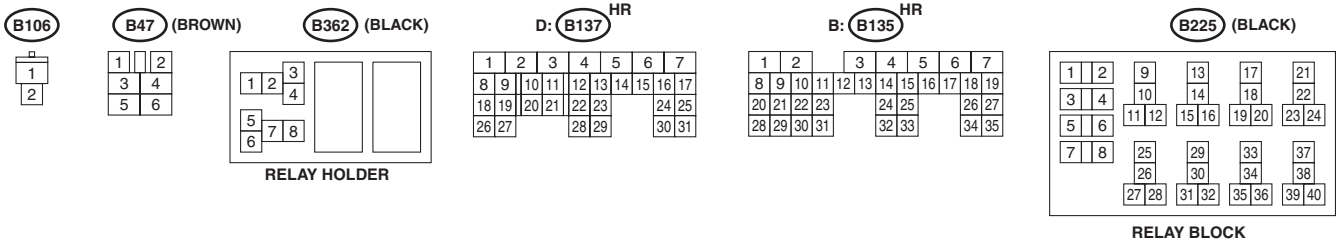
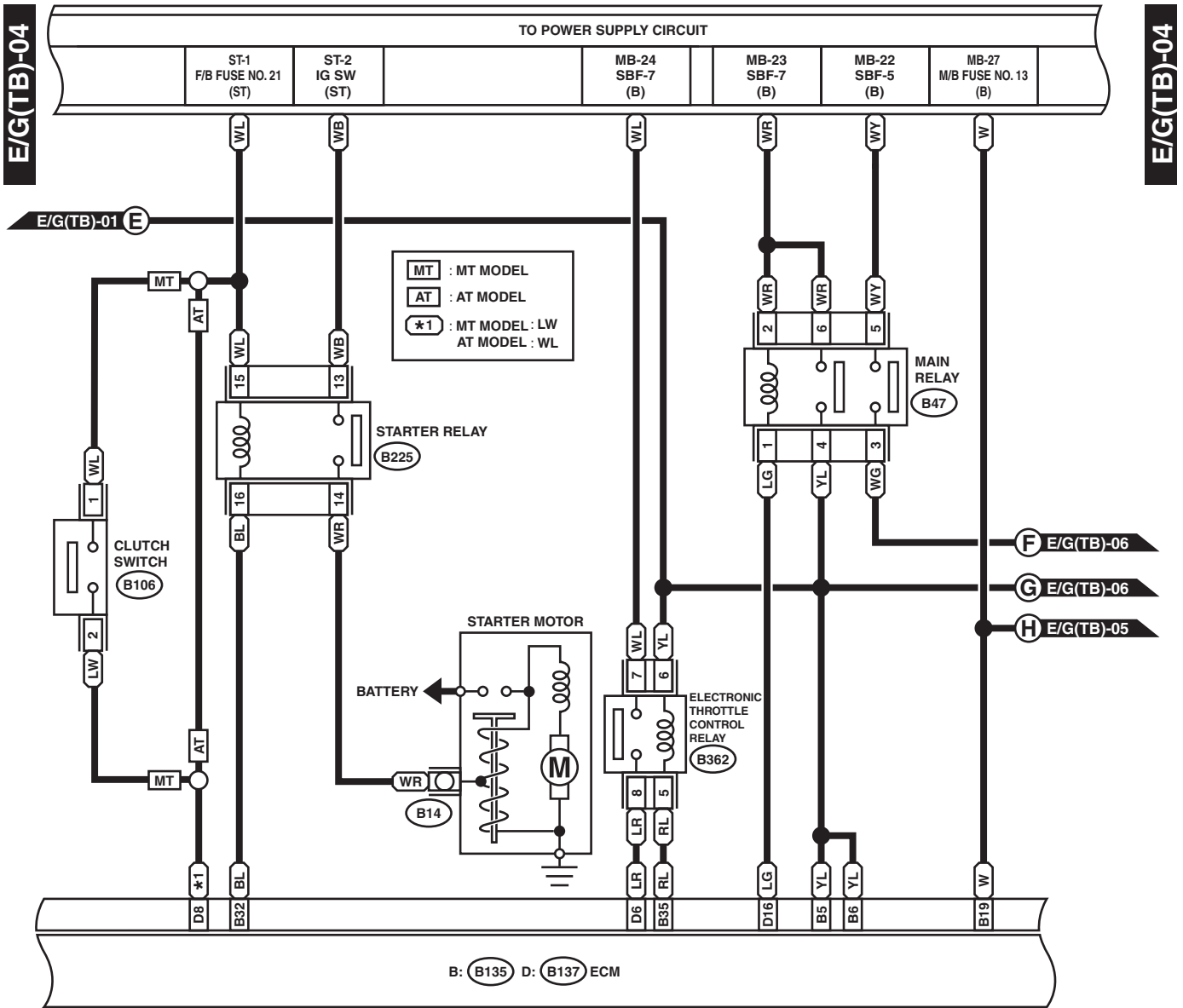
B21 (BLACK)

1	2	3	4	5	6	7	8	9	10	11			
12	13	14	15	16	17	18	19	20	21	22			
23	24	25	26	27	28	29	30	31	32	33			
34	35	36	37	38	39	40	41	42	43	44	45	46	47
48	49	50	51	52	53	54	55	56	57	58	59	60	

WI-11911

Engine Electrical System

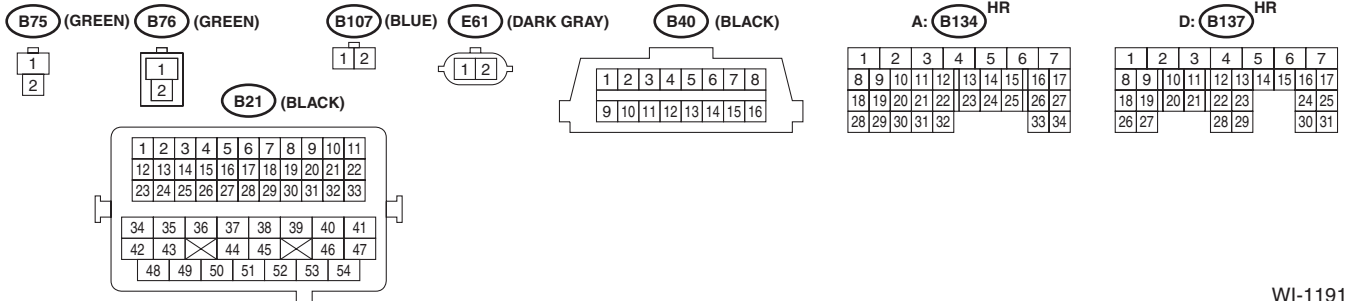
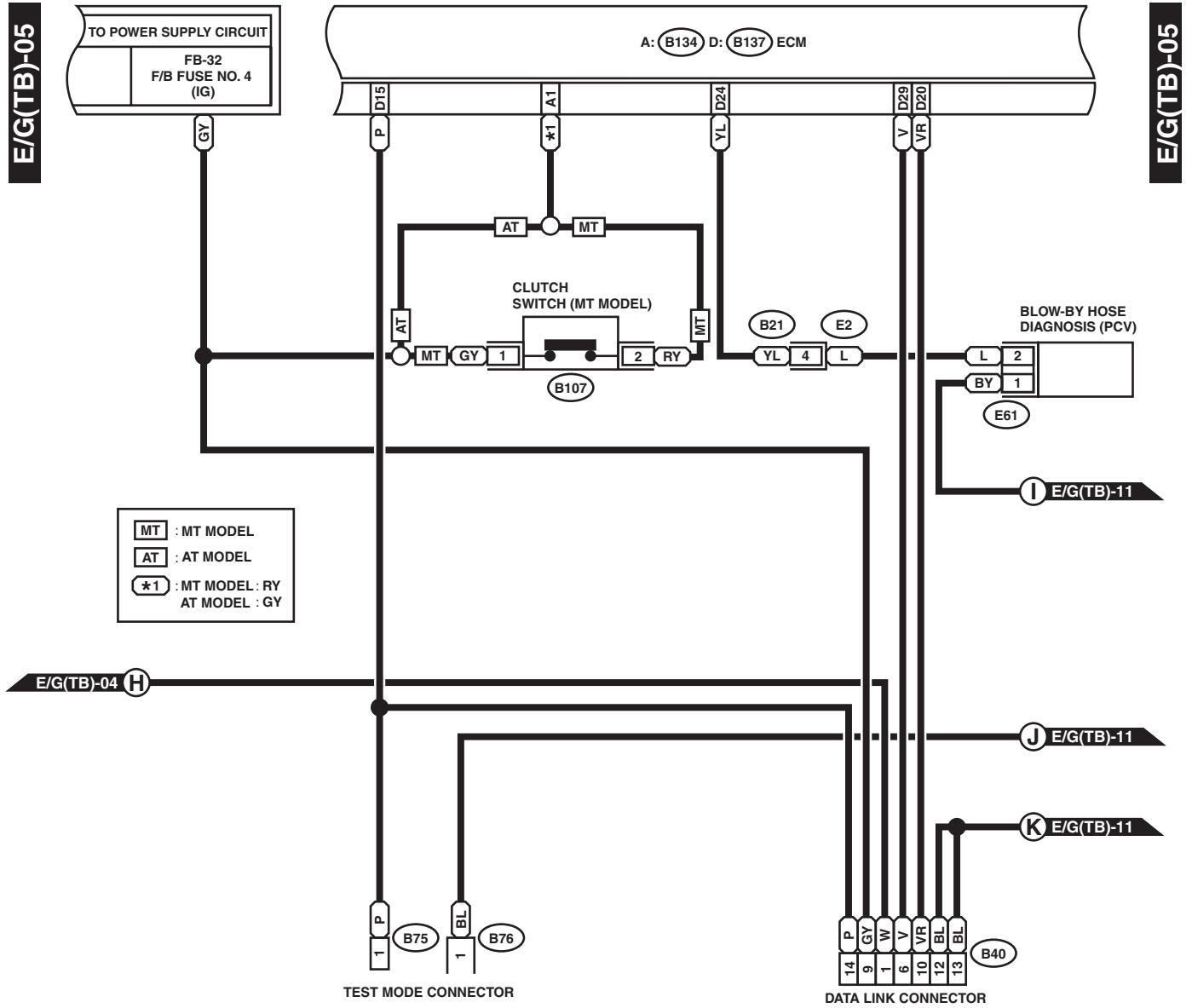
WIRING SYSTEM



WI-11912

Engine Electrical System

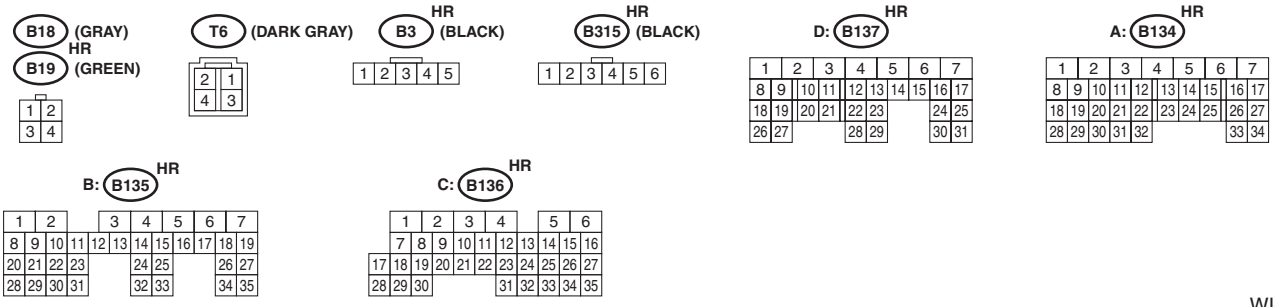
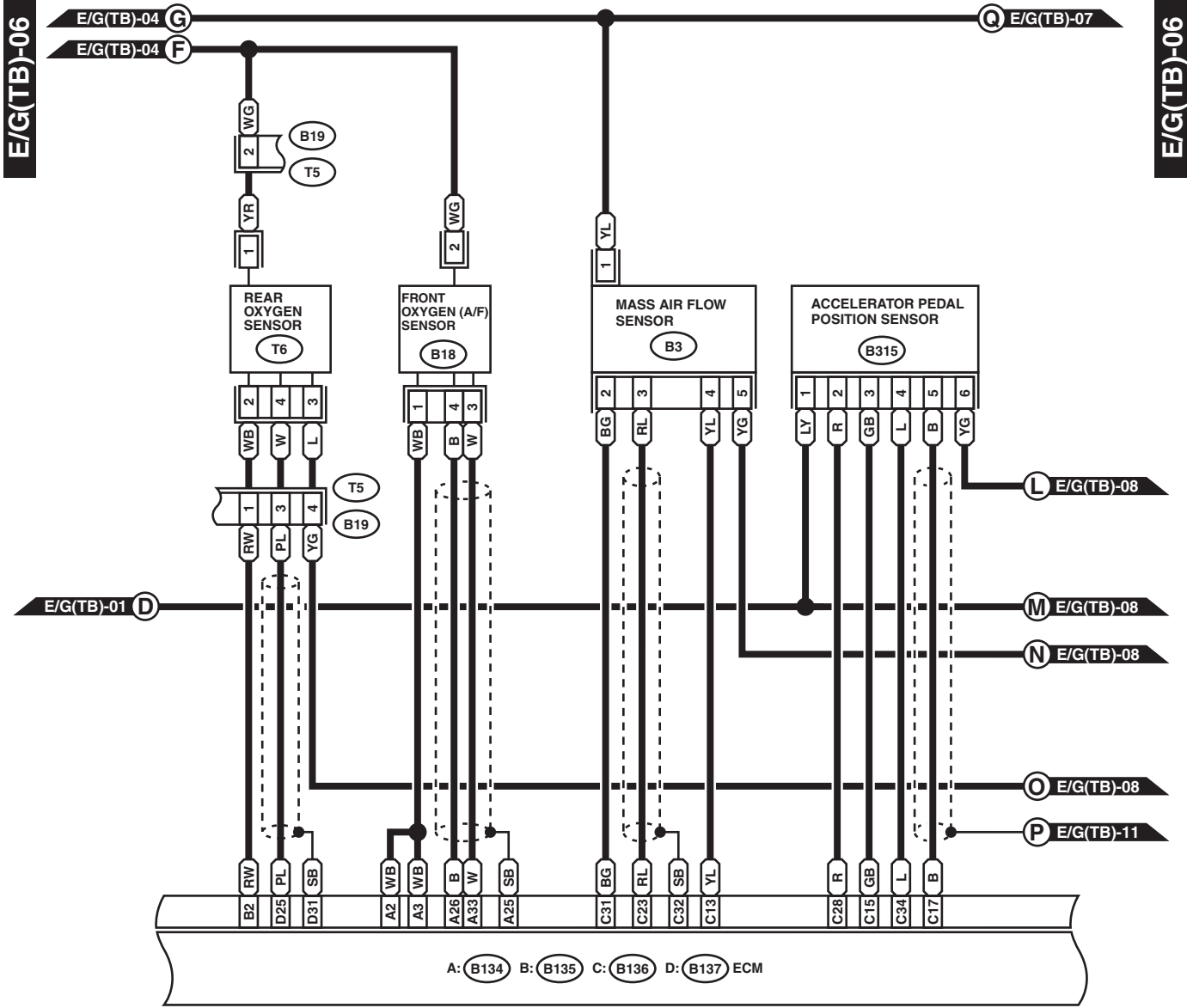
WIRING SYSTEM



WI-11913

Engine Electrical System

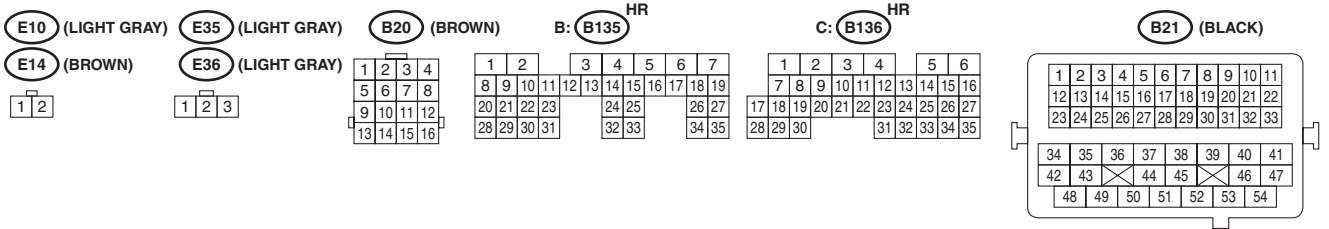
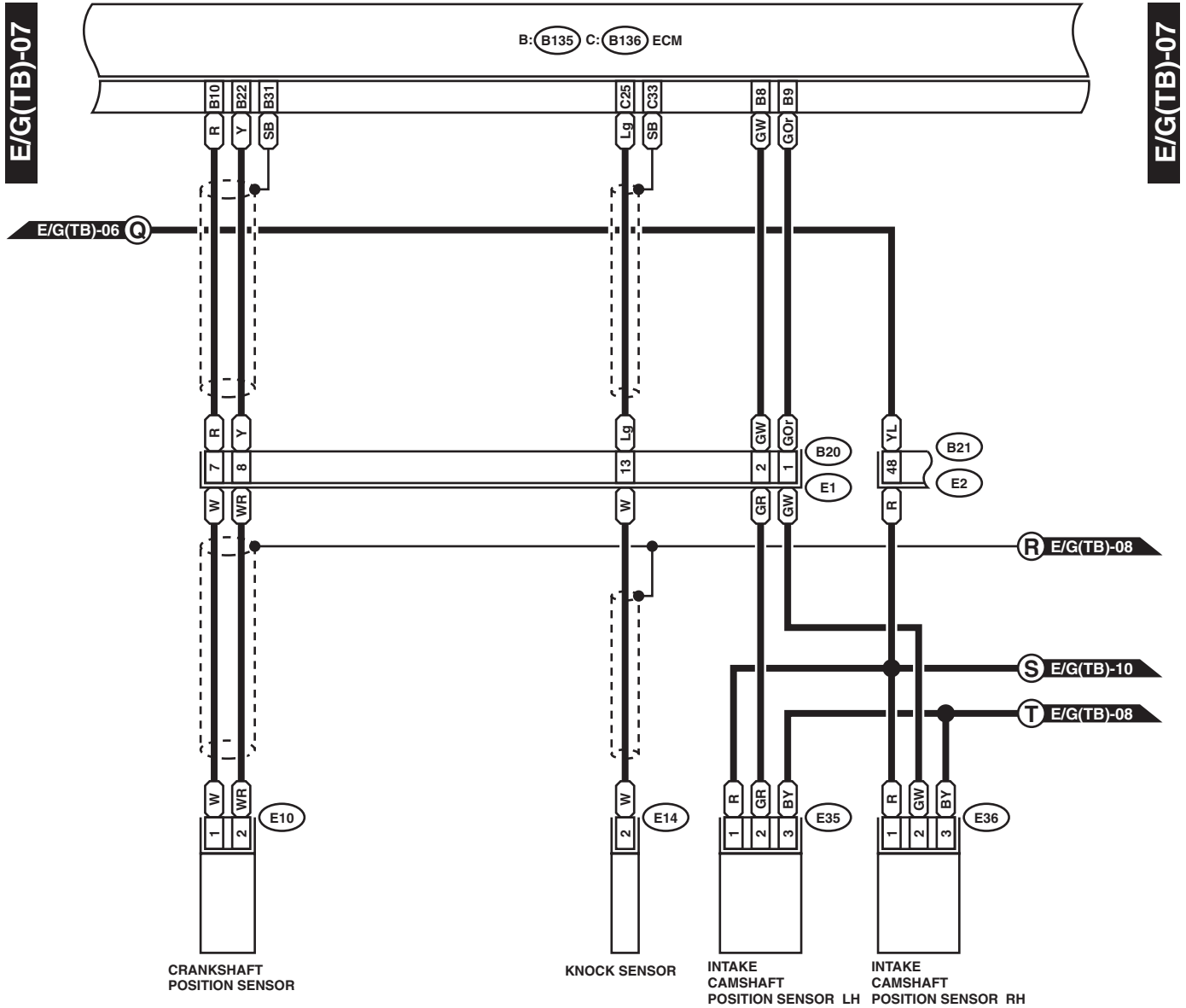
WIRING SYSTEM



WI-11914

Engine Electrical System

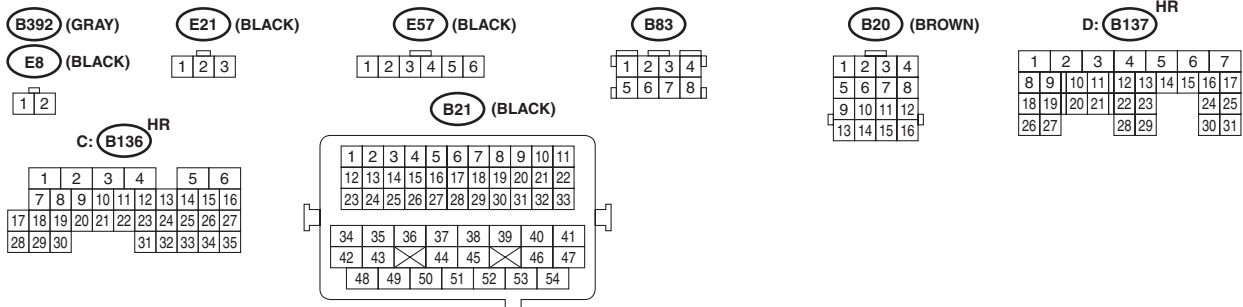
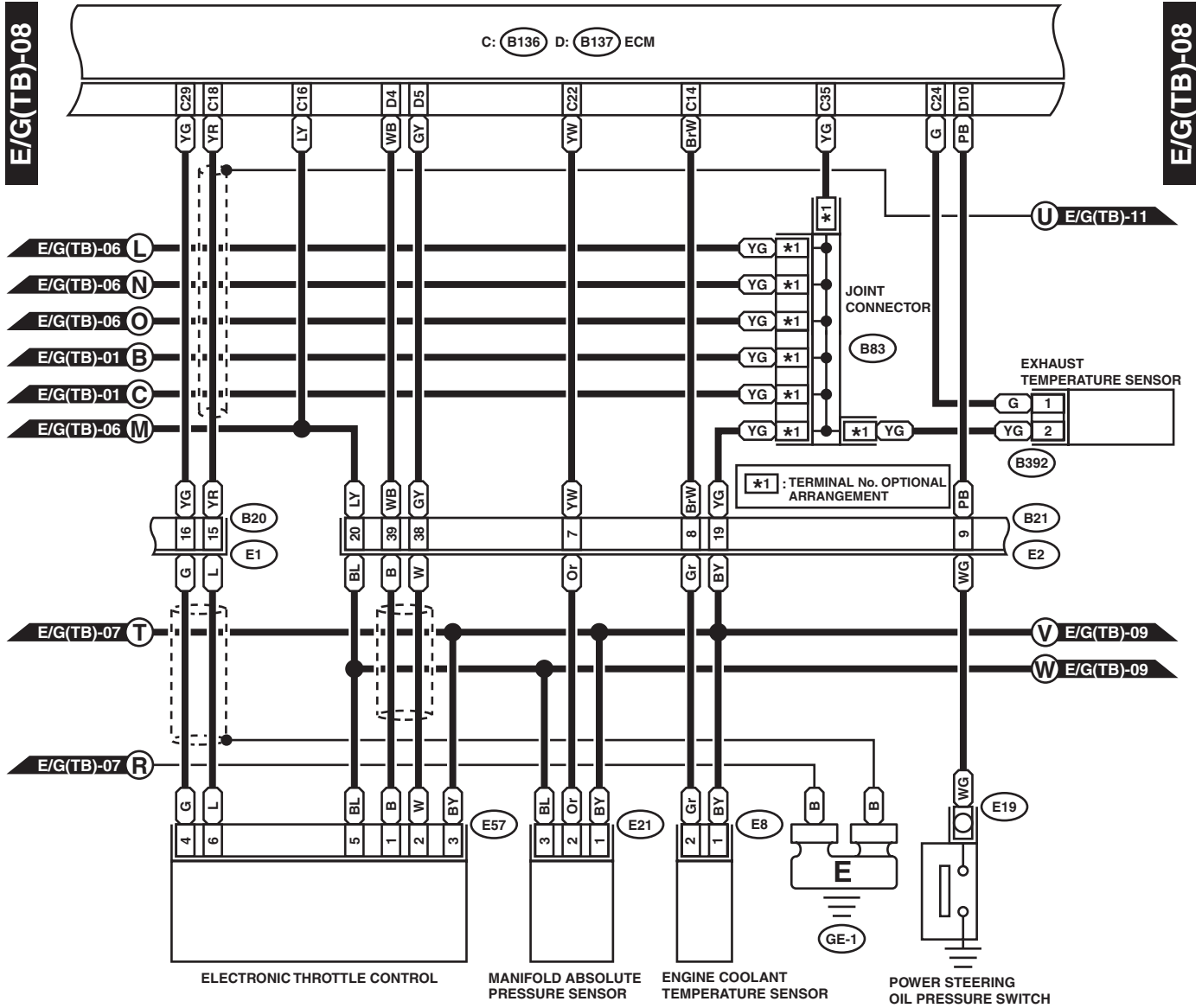
WIRING SYSTEM



WI-11915

Engine Electrical System

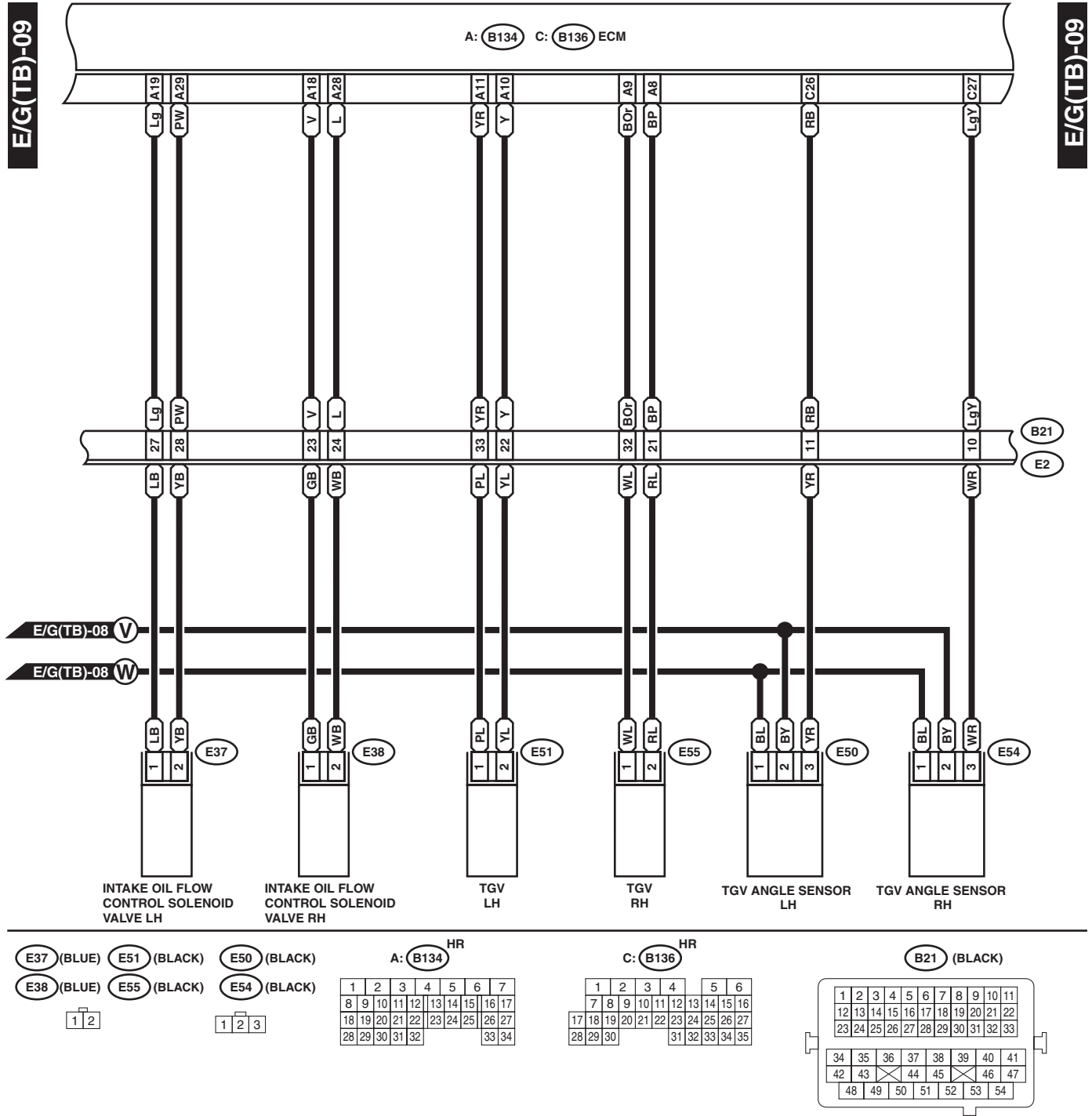
WIRING SYSTEM



WI-11916

Engine Electrical System

WIRING SYSTEM



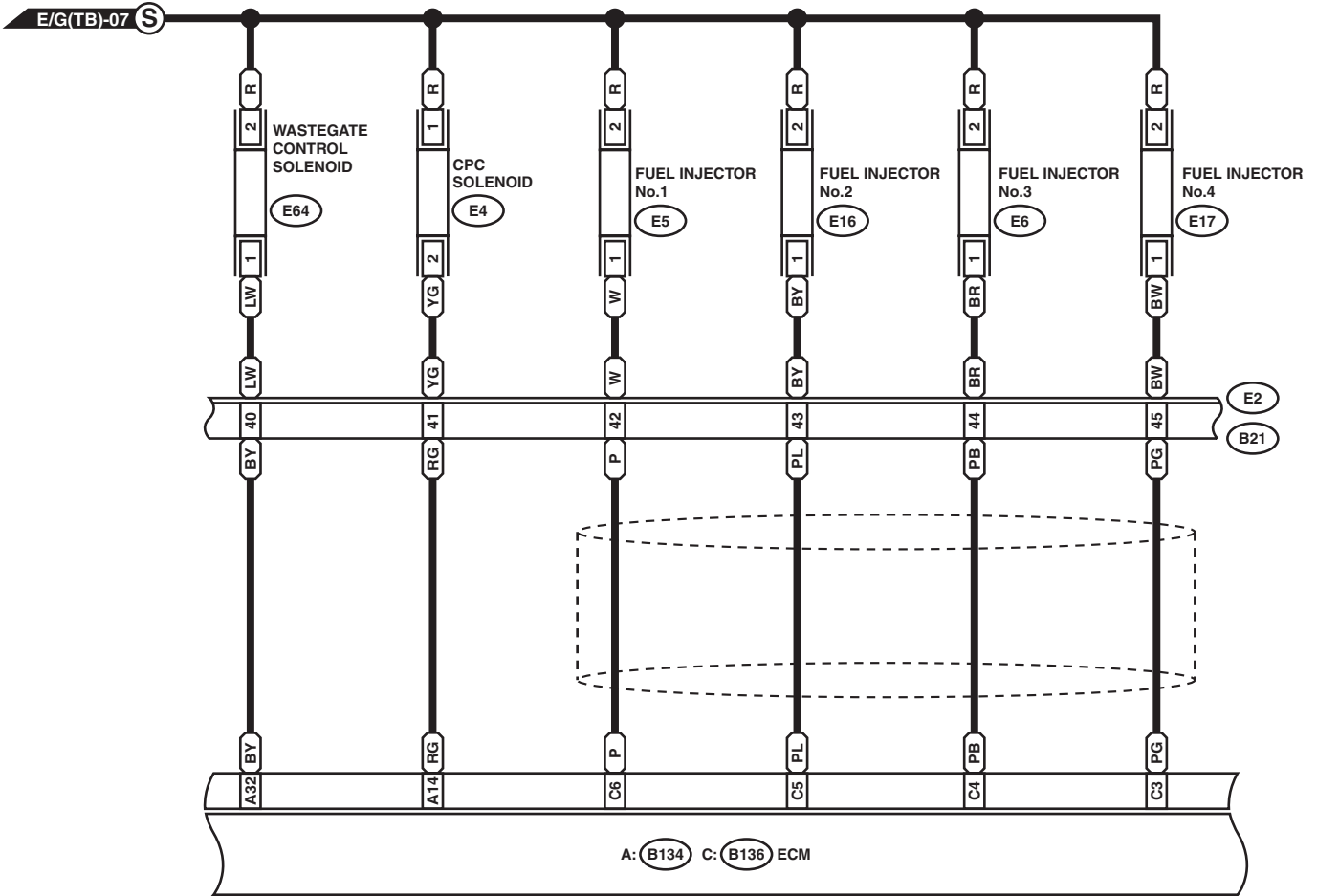
WI-11917

Engine Electrical System

WIRING SYSTEM

E/G(TB)-10

E/G(TB)-10



- E4 (BLACK)
- E5 (LIGHT GRAY)
- E64 (BLUE)
- E6 (BLACK)
- E16 (LIGHT GRAY)
- E17 (BLACK)

A: (B134) HR

1	2	3	4	5	6	7
8	9	10	11	12	13	14
15	16	17	18	19	20	21
22	23	24	25	26	27	28
29	30	31	32	33	34	

C: (B136) HR

1	2	3	4	5	6
7	8	9	10	11	12
13	14	15	16	17	18
19	20	21	22	23	24
25	26	27	28	29	30
31	32	33	34	35	

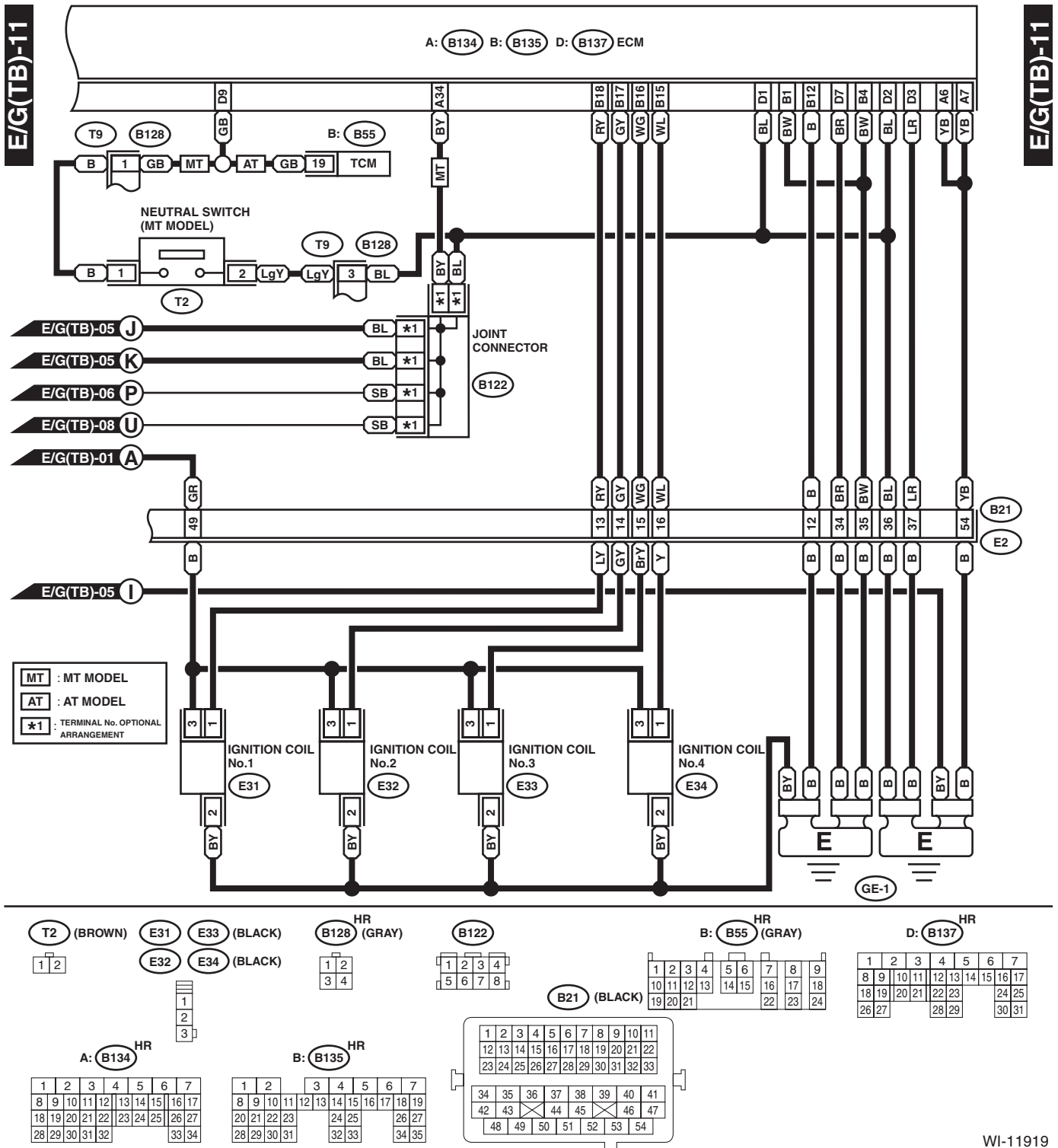
(B21) (BLACK)

1	2	3	4	5	6	7	8	9	10	11
12	13	14	15	16	17	18	19	20	21	22
23	24	25	26	27	28	29	30	31	32	33
34	35	36	37	38	39	40	41			
42	43	44	45	46	47					
48	49	50	51	52	53	54				

WI-11918

Engine Electrical System

WIRING SYSTEM



WI-11919