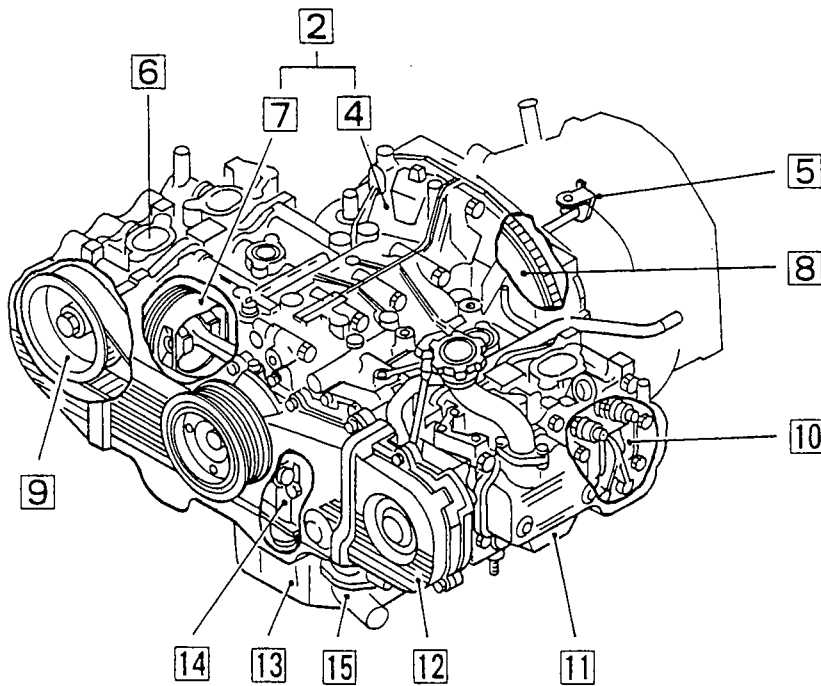


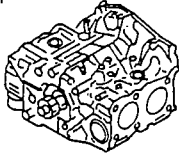
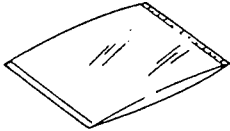
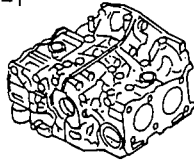
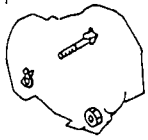
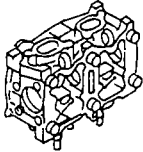
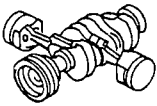
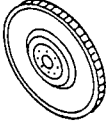
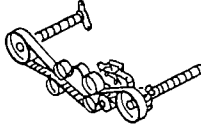
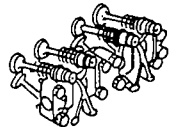
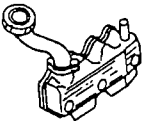
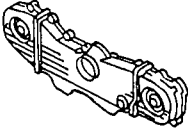
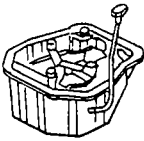
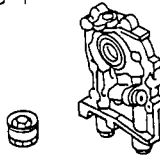
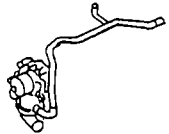
GROUP INDEX

ILLUSTRATED INDEX

ILLUSTRATED INDEX

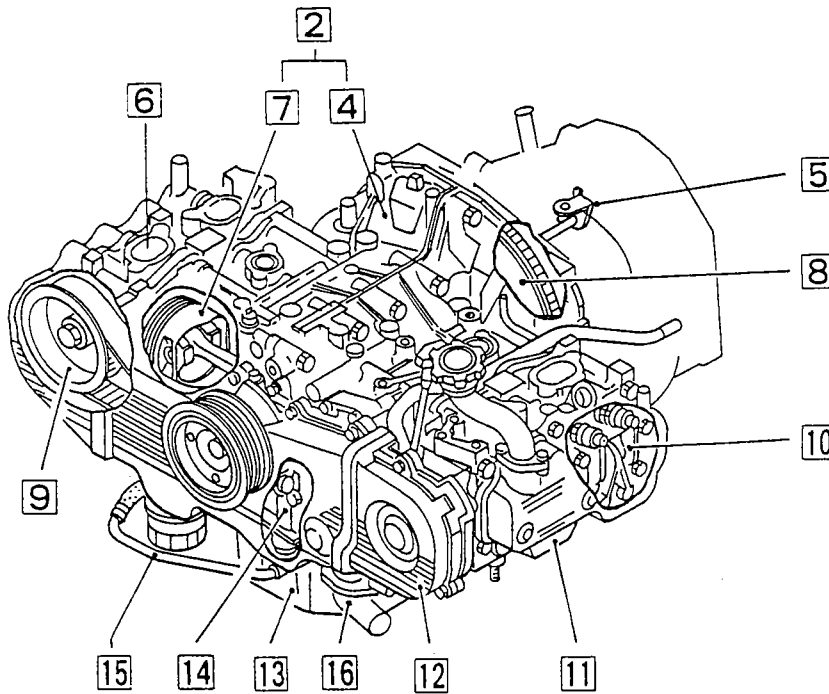
ENGINE GROUP ; NA (1/4)

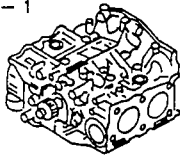
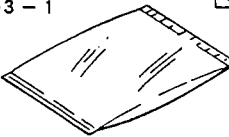
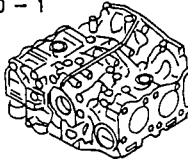
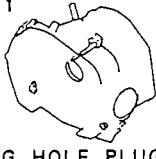
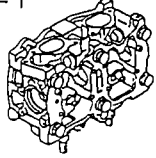
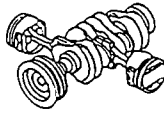
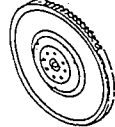
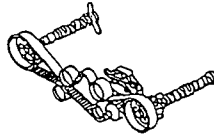
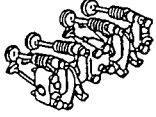
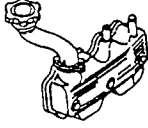
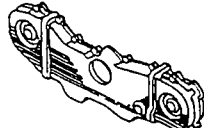

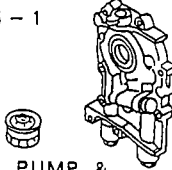
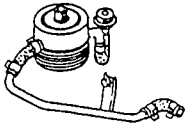
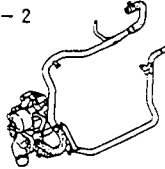


<p>1 Fig. 002-1</p>  <p>SHORT BLOCK ENGINE</p>	<p>2 Fig. 003-1</p>  <p>ENGINE, GASKET & SEAL KIT</p>	<p>3 Fig. 010-1</p>  <p>CYLINDER BLOCK</p>	<p>4 Fig. 011-1</p>  <p>TIMING HOLE PLUG & TRANSMISSION BOLT</p>	<p>5</p>
<p>Fig. 020-1</p> <p>6</p>  <p>CYLINDER HEAD</p>	<p>Fig. 030-1</p> <p>7</p>  <p>PISTON & CRANKSHAFT</p>	<p>Fig. 032-1</p> <p>8</p>  <p>FLYWHEEL</p>	<p>Fig. 034-1</p> <p>9</p>  <p>CAMSHAFT & CAMBELT</p>	<p>Fig. 036-1</p> <p>10</p>  <p>VALVE & VALVE ROCKER</p>
<p>Fig. 038-1</p> <p>11</p>  <p>ROCKER COVER & OIL FILLER DUCT</p>	<p>Fig. 040-1, 040-1A</p> <p>12</p>  <p>TIMING BELT COVER</p>	<p>Fig. 050-1</p> <p>13</p>  <p>OIL PAN</p>	<p>Fig. 055-1</p> <p>14</p>  <p>OIL PUMP & OIL FILTER</p>	<p>Fig. 062-1</p> <p>15</p>  <p>WATER PUMP</p>
<p>16</p>	<p>17</p>	<p>18</p>	<p>19</p>	<p>20</p>

ILLUSTRATED INDEX

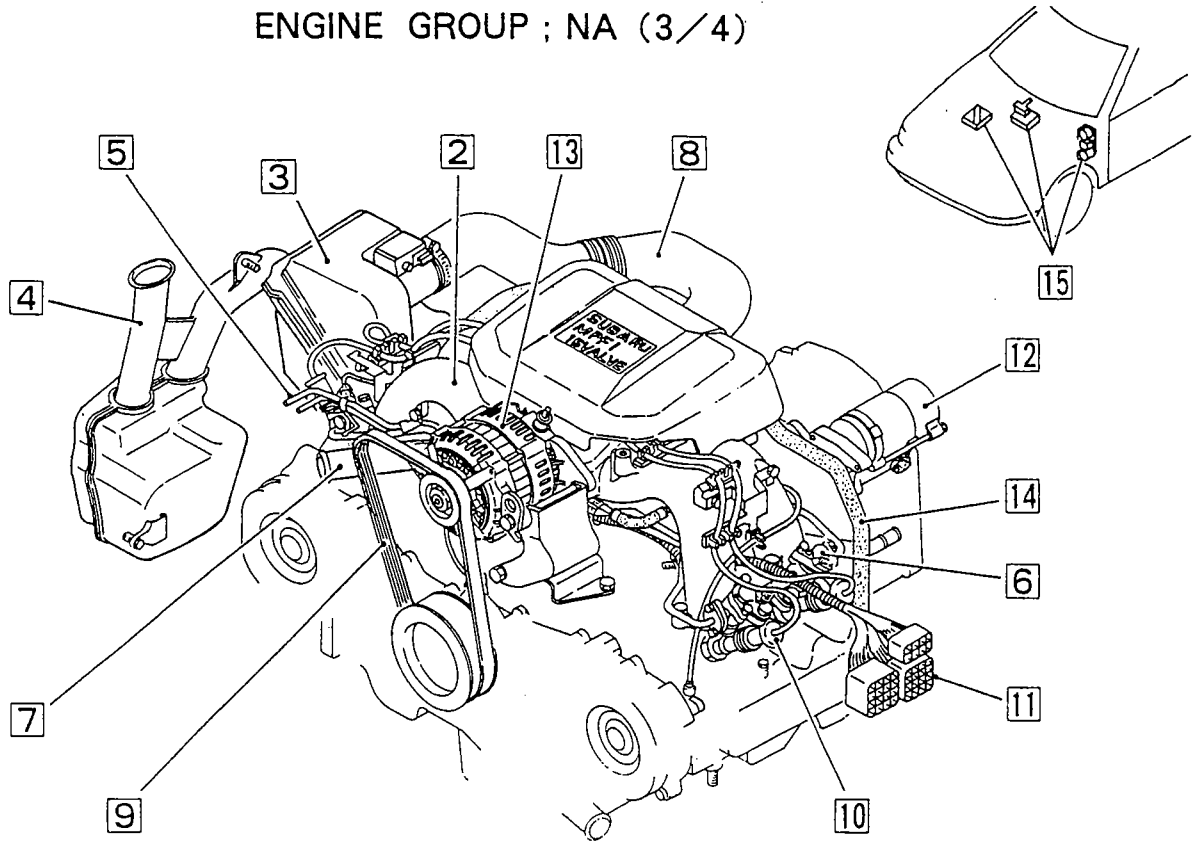
ENGINE GROUP ; TURBO (2/4)


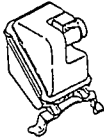


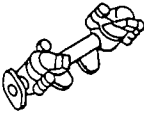
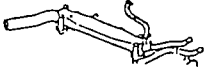


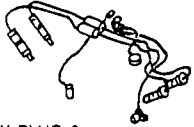
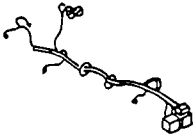
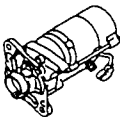
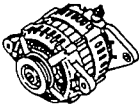
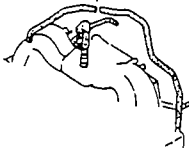
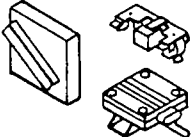


<p>1 Fig. 002 - 1</p>  <p>SHORT BLOCK ENGINE</p>	<p>2 Fig. 003 - 1</p>  <p>ENGINE GASKET & SEAL KIT</p>	<p>3 Fig. 010 - 1</p>  <p>CYLINDER BLOCK</p>	<p>4 Fig. 011 - 1</p>  <p>TIMING HOLE PLUG & TRANSMISSION BOLT</p>	<p>5</p>
<p>Fig. 020 - 1</p>  <p>CYLINDER HEAD</p>	<p>6 Fig. 030 - 1</p>  <p>PISTON & CRANKSHAFT</p>	<p>7 Fig. 032 - 1</p>  <p>FLYWHEEL</p>	<p>8 Fig. 034 - 1</p>  <p>CAMSHAFT & CAMBELT</p>	<p>9 Fig. 036 - 1</p>  <p>VALVE & VALVE ROCKER</p>
<p>Fig. 038 - 1</p>  <p>ROCKER COVER & OIL FILLER DUCT</p>	<p>11 Fig. 040 - 1.040 - 1A</p>  <p>TIMING BELT COVER</p>	<p>12 Fig. 050 - 1</p>  <p>OIL PAN</p>	<p>13 Fig. 055 - 1</p>  <p>OIL PUMP & OIL FILTER</p>	<p>14 Fig. 058 - 1</p>  <p>OIL COOLER</p>
<p>Fig. 062 - 2</p>  <p>WATER PUMP</p>	<p>16</p>	<p>17</p>	<p>18</p>	<p>19</p>

ILLUSTRATED INDEX

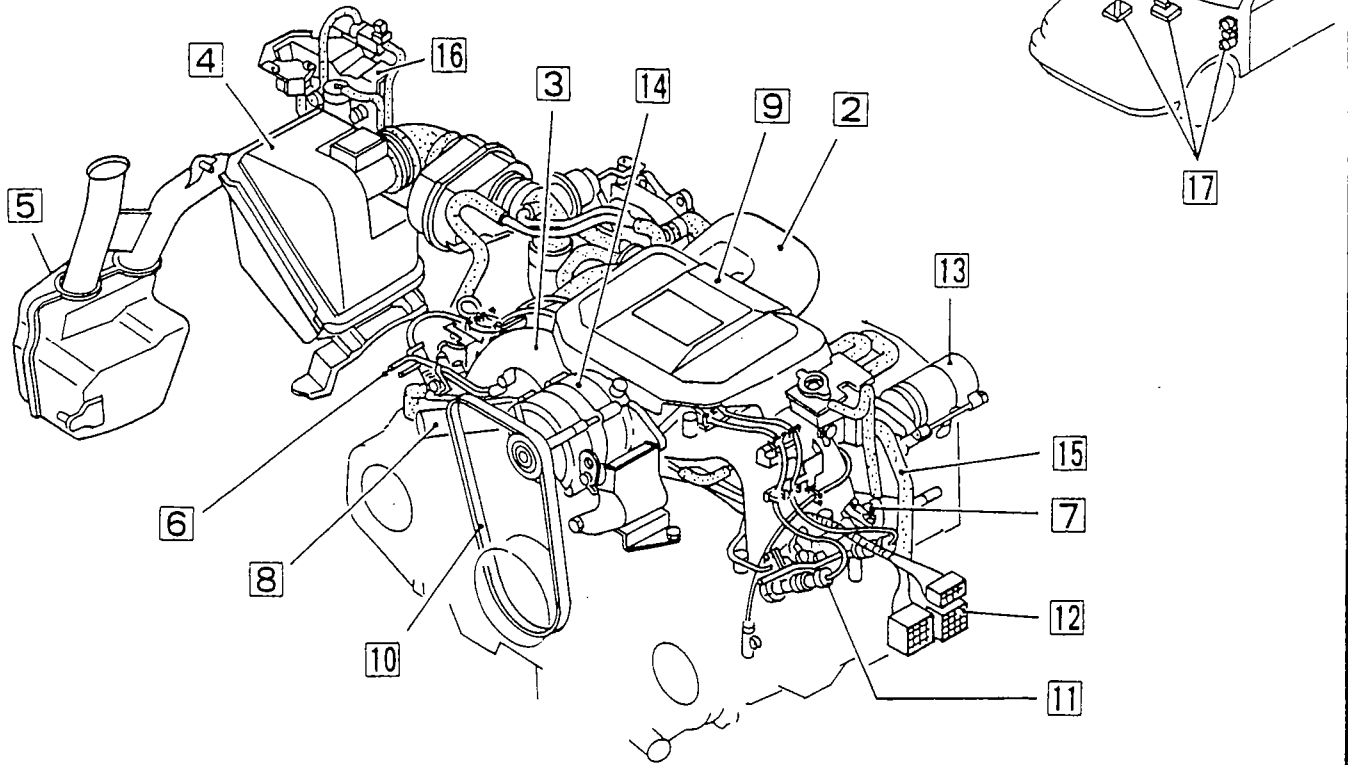
ENGINE GROUP ; NA (3/4)



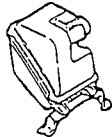

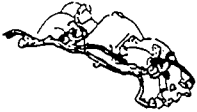
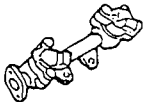
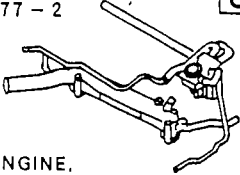
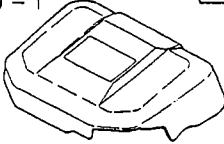



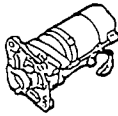

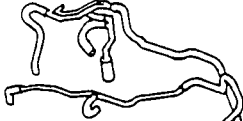
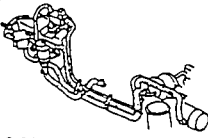
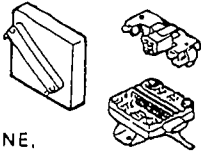


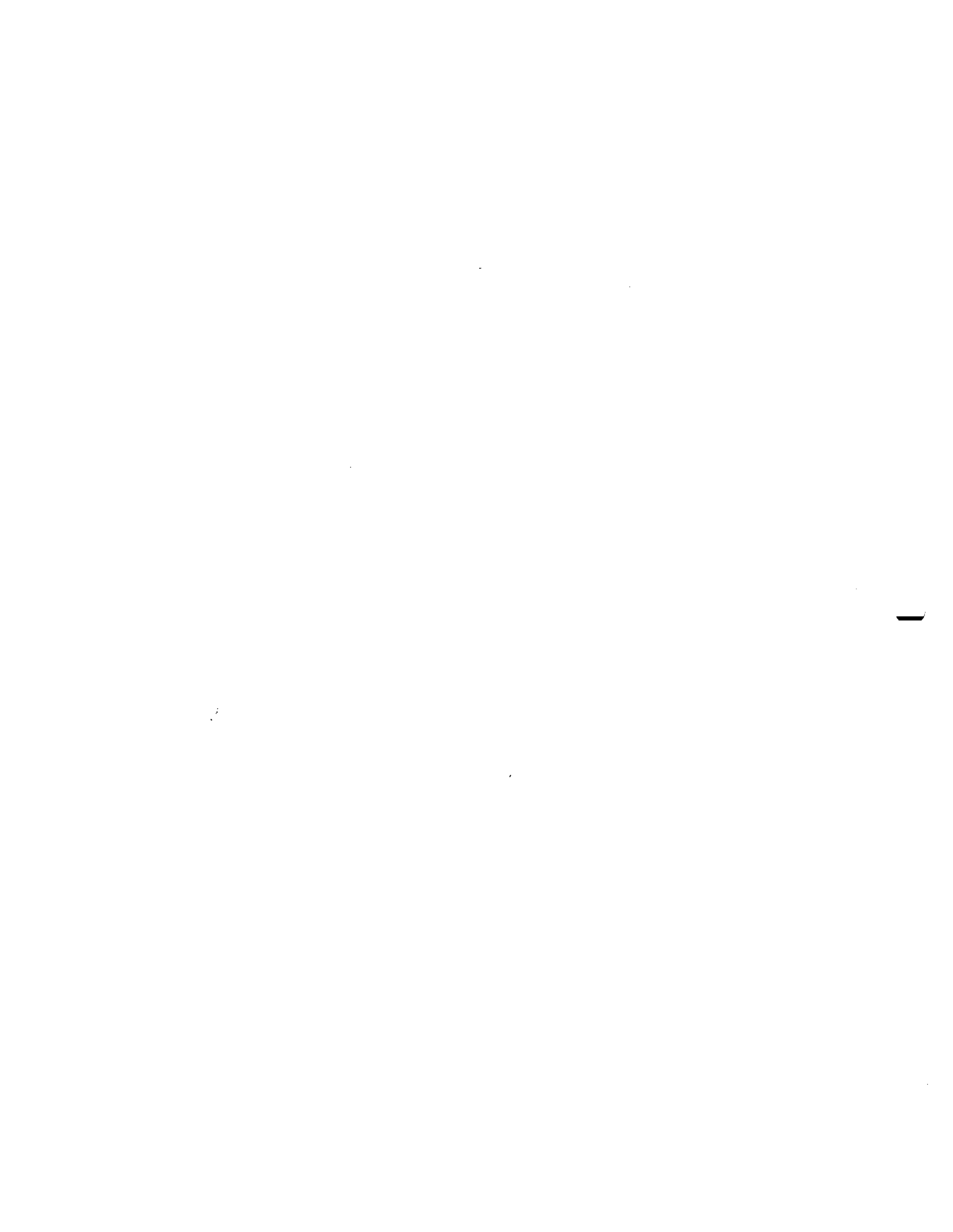
<p>1 Fig. 070-1, 070-1A</p>  <p>INTAKE MANIFOLD</p>	<p>2 Fig. 071-2A</p>  <p>AIR CLEANER</p>	<p>3 Fig. 072-1A</p>  <p>AIR DUCT</p>	<p>4 Fig. 074-1</p>  <p>FUEL PIPE SYSTEM</p>	
<p>Fig. 076-1</p>  <p>FUEL INJECTOR</p>	<p>6 Fig. 077-1</p>  <p>ENGINE COOLING SYSTEM</p>	<p>7 Fig. 079-1</p>  <p>THROTTLE BODY & AIR DUCT</p>	<p>8 Fig. 080-1</p>  <p>ALTERNATOR BRACKET & V BELT</p>	<p>9 Fig. 082-1</p>  <p>SPARK PLUG & HIGH TENSION CORD</p>
<p>Fig. 084-1</p>  <p>WIRING HARNESS-ENGINE</p>	<p>11 Fig. 085-1, 085-2</p>  <p>STARTER</p>	<p>12 Fig. 086-1</p>  <p>ALTERNATOR</p>	<p>13 Fig. 090-1</p>  <p>HOSE & CLAMP (P.C.V.)</p>	<p>14 Fig. 095-1</p>  <p>ENGINE ELECTRICAL PARTS</p>
<p>16</p>	<p>17</p>	<p>18</p>	<p>19</p>	<p>20</p>

ILLUSTRATED INDEX

ENGINE GROUP ; TURBO (4/4)



<p>1 Fig. 065 - 1</p>  <p>TURBO CHARGER SYSTEM</p>	<p>2 Fig. 070 - 2</p>  <p>INTAKE MANIFOLD</p>	<p>3 Fig. 071 - 2A</p>  <p>AIR CLEANER</p>	<p>4 Fig. 072 - 1A</p>  <p>AIR DUCT</p>	<p>5</p>
<p>Fig. 074 - 1</p>  <p>FUEL PIPE SYSTEM</p>	<p>6 Fig. 076 - 1</p>  <p>FUEL INJECTOR</p>	<p>7 Fig. 077 - 2</p>  <p>ENGINE, COOLING SYSTEM</p>	<p>8 Fig. 079 - 1</p>  <p>THROTTLE BODY & AIR DUCT</p>	<p>9 Fig. 080 - 1</p>  <p>ALTERNATOR BRACKET & V BELT</p>
<p>Fig. 082 - 1</p>  <p>SPARK PLUG & HIGH TENSION CORD</p>	<p>11 Fig. 084 - 2</p>  <p>WIRING HARNESS - ENGINE</p>	<p>12 Fig. 085 - 1, 085 - 2</p>  <p>STARTER</p>	<p>13 Fig. 086 - 1</p>  <p>ALTERNATOR</p>	<p>14 Fig. 090 - 2</p>  <p>HOSE & CLAMP (P.C.V)</p>
<p>Fig. 092 - 1</p>  <p>EMISSION CONTROL SYSTEM</p>	<p>16 Fig. 095 - 1</p>  <p>ENGINE, ELECTRICAL PARTS</p>	<p>17</p>	<p>18</p>	<p>19</p>

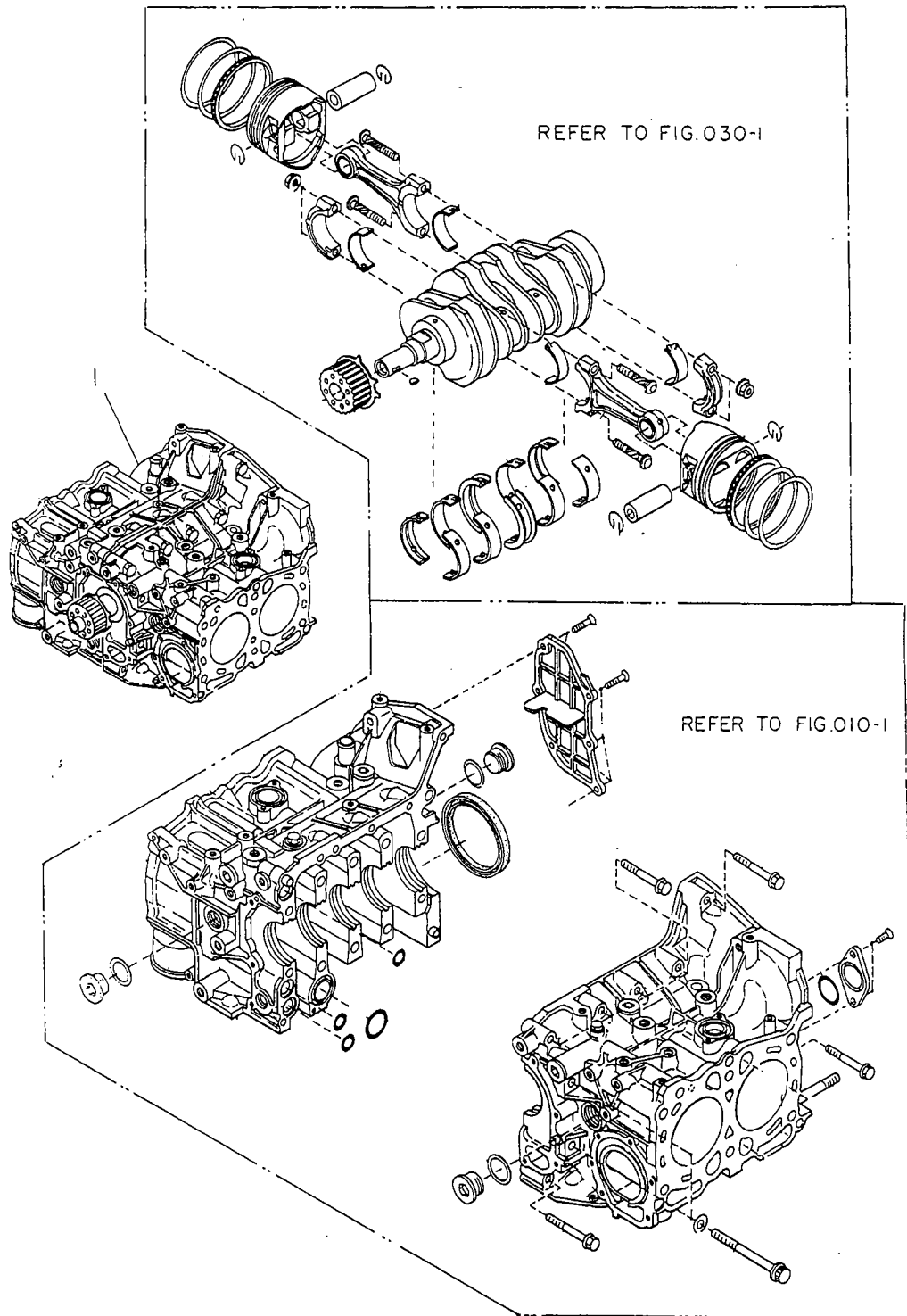


GROUP INDEX

PAGE-NO.	FIG.-NO.	FIG.-TITLE
174	002-1	SHORT BLOCK ENGINE
176	003-1	GASKET & SEAL KIT (ENGINE)
180	010-1	CYLINDER BLOCK
182	011-1	TIMING HOLE PLUG & TRANSMISSION BOLT
184	020-1	CYLINDER HEAD
186	030-1	PISTON & CRANKSHAFT
192	032-1	FLYWHEEL
194	034-1	CAMSHAFT & CAMBELT
198	036-1	VALVE & VALVE ROCKER
202	038-1	ROCKER COVER & OIL FILLER DUCT
204	040-1	TIMING BELT COVER (TO DEC '92)
206	040-1A	TIMING BELT COVER (FROM JAN '93)
208	050-1	OIL PAN
210	055-1	OIL PUMP & OIL FILTER
212	058-1	OIL COOLER; TURBO ('91MY)
214	062-1	WATER PUMP; NA
216	062-2	WATER PUMP; TURBO
218	065-1	TURBO CHARGER SYSTEM
220	070-1	INTAKE MANIFOLD; NA ('90 & '91MYS)
222	070-1A	INTAKE MANIFOLD; NA ('92 - '94MYS)
226	070-2	INTAKE MANIFOLD; TURBO
230	071-2A	AIR CLEANER
232	072-1A	AIR DUCT
234	074-1	FUEL PIPE SYSTEM
236	076-1	FUEL INJECTOR
238	077-1	ENGINE COOLING SYSTEM; NA
240	077-2	ENG, COOLING SYSTEM; TURBO
242	079-1	THROTTLE BODY & AIR DUCT
244	080-1	ALTERNATOR BRACKET & V BELT
246	082-1	SPARK PLUG & HIGH TENSION CORD
248	084-1	WIRING HARNESS-ENGINE; NA
250	084-2	WIRING HARNESS-ENGINE; TURBO
252	085-1	STARTER (1) MT (1.0KW)
256	085-2	STARTER (2) AT (1.4KW)
260	086-1	ALTERNATOR
262	090-1	HOSE & CLAMP (P.C.V.); NA
264	090-2	HOSE & CLAMP (P.C.V.); TURBO
266	092-1	EMISSION CONT SYSTEM; TURBO
268	095-1	ENGINE ELECTRICAL PARTS

Fig No.
002-1

SHORT BLOCK ENGINE



ITEM NO.	PART NUMBER	PART NAME	4D						SW						TW		M Y				REMARKS						
			2WD			4WD			2WD			4WD			2W	4W	9	9	9	9							
			L	L	TURBO	L	L	TURBO	L	L	TURBO	L	L	TURBO	L	L	0	1	2	3		4					
1	10103 AA280	SHORT BLOCK ENG ASSY	1	1	1	1	1	1	1	1	1	1	1	1	1	1	1	1	1	1	*	*	*	*	*		
	10103 AA310	SHORT BLOCK ENG ASSY	.	.	.	1	.	.	.	1	1	*	*	*	*	*

Fig No.

003-1

GASKET & SEAL KIT (ENGINE)

ITEM NO.	PART NUMBER	PART NAME	4D						SW						TW		M Y					REMARKS	
			2WD			4WD			2WD			4WD			2W	4W	9	9	9	9			
			L	L	TURBO	L	L	TURBO	L	L	TURBO	L	L	TURBO	L	L	TURBO	L	L	0	1		2
1	10105 AA020	GASKET&SEAL KIT-ENG	1	1	1	1	1	1	1	1	1	1	1	1	1	1	1	1	*	*	*	*	*
	10105 AA021	GASKET&SEAL KIT-ENG	.	1	1	.	1	1	.	.	1	1	.	1	.	1	.	1	.	.	*	*	*
	10105 AA050	GASKET&SEAL KIT-ENG	.	.	.	1	.	.	.	1	1	*	*	*
2	8039 28010	GSKT-28.2X33.5X1	4	4	4	4	4	4	4	4	4	4	4	4	4	4	4	4	4	4	*	*	*
3	8039 36020	GSKT-36.2X44X1.5	1	1	1	.	1	1	.	1	1	1	1	1	.	1	1	1	*	*	*	*	*
4	11034 AA000	WASH-CYL BLOCK SLNG	6	6	6	6	6	6	6	6	6	6	6	6	6	6	6	6	6	6	*	*	*
5	13271 AA002	WASH-ROCKER CVR	6	6	6	6	6	6	6	6	6	6	6	6	6	6	6	6	6	6	*	*	*
6	13294 AA011	GSKT-ROCKER CVR	2	2	2	2	2	2	2	2	2	2	2	2	2	2	2	2	2	2	*	*	*
7	44022 AA020	GSKT-EXH MANIFOLD	2	2	2	.	2	2	.	2	2	2	2	2	.	2	2	2	*	*	*	*	*
	44022 AA160	GSKT-EXH MANIFOLD	.	.	.	2	.	.	.	2	2	*	*	*
8	16175 AA050	GSKT-THROT CHMBR	1	1	1	1	1	1	1	1	1	1	1	1	1	1	1	1	1	1	*	*	*
9	21114 AA020	GSKT-WATER PUMP	1	1	1	.	1	1	.	1	1	1	1	1	.	1	1	1	*	*	*	*	*
	21114 AA030	GSKT-WATER PUMP	.	.	.	1	.	.	.	1	*	*	*
	21114 AA030	GSKT-WATER PUMP	.	1	.	1	1	.	1	.	1	.	1	.	1	.	1	.	1	.	*	*	*
10	8067 86010	OILSEAL-86X103X10	1	1	1	1	1	1	1	1	1	1	1	1	1	1	1	1	1	1	*	*	*
11	8069 19050	O RING-19.2X2.4	4	4	4	4	4	4	4	4	4	4	4	4	4	4	4	4	4	4	*	*	*
12	8069 31020	O RING-31X2.0	1	1	1	1	1	1	1	1	1	1	1	1	1	1	1	1	1	1	*	*	*
13	8069 32030	O RING-32.6X2.7	1	1	1	1	1	1	1	1	1	1	1	1	1	1	1	1	1	1	*	*	*
14	11044 AA110	GSKT-CYL HEAD	2	2	2	.	2	2	.	2	2	2	2	2	.	2	2	2	*	*	*	*	*
	11044 AA112	GSKT-CYL HEAD	.	2	.	2	.	.	.	2	.	2	.	.	2	.	2	.	.	.	*	*	*
	11044 AA280	GSKT-CYL HEAD	.	.	.	2	.	.	.	2	2	*	*	*
15	8069 10020	O RING-10X2	2	2	2	.	2	2	.	2	2	2	2	2	.	2	2	2	*	*	*	*	*
16	11122 AA000	SLNG-OIL PAN	1	1	1	1	1	1	1	1	1	1	1	1	1	1	1	1	1	1	*	*	*
17	11126 AA000	GSKT-DRAIN PLUG	1	1	1	1	1	1	1	1	1	1	1	1	1	1	1	1	1	1	*	*	*
18	8067 32050	OILSEAL-32X45X8	2	2	2	2	2	2	2	2	2	2	2	2	2	2	2	2	2	2	*	*	*
19	8069 46030	O RING-46.5X2	2	2	2	2	2	2	2	2	2	2	2	2	2	2	2	2	2	2	*	*	*
20	13091 AA001	SLNG-TENSIONER	1	1	1	1	1	1	1	1	1	1	1	1	1	1	1	1	1	1	*	*	*
21	13091 AA011	SLNG-TENSIONER	1	1	1	1	1	1	1	1	1	1	1	1	1	1	1	1	1	1	*	*	*
22	13553 AA000	SLNG-BELT CVR,3	1	1	1	1	1	1	1	1	1	1	1	1	1	1	1	1	1	1	*	*	*
23	13581 AA050	SLNG-BELT CVR,F	1	1	1	1	1	1	1	1	1	1	1	1	1	1	1	1	1	1	*	*	*
24	13583 AA051	SLNG-BELT CVR	1	1	1	1	1	1	1	1	1	1	1	1	1	1	1	1	1	1	*	*	*
25	13584 AA050	SLNG-BELT CVR,2	1	1	1	1	1	1	1	1	1	1	1	1	1	1	1	1	1	1	*	*	*
26	13585 AA071	SLNG-BELT CVR	1	1	1	1	1	1	1	1	1	1	1	1	1	1	1	1	1	1	*	*	*
27	13586 AA041	SLNG-BELT CVR,2	1	1	1	1	1	1	1	1	1	1	1	1	1	1	1	1	1	1	*	*	*
28	13592 AA010	MOUNT CP-BELT CVR	6	6	6	6	6	6	6	6	6	6	6	6	6	6	6	6	6	6	*	*	*
29	13594 AA010	SLNG-BELT CVR,2	1	1	1	.	1	1	.	1	1	1	1	1	.	1	1	1	*	*	*	*	*
	13594 AA000	SLNG-BELT CVR,2	.	.	.	1	.	.	.	1	1	*	*	*
30	13207 AA050	SEAL-INT VALVE	8	8	8	8	8	8	8	8	8	8	8	8	8	8	8	8	8	8	*	*	*
31	13210 AA020	COLLET-VALVE	H	H	H	H	H	H	H	H	H	H	H	H	H	H	H	H	H	H	*	*	*
32	13211 AA050	SEAL-EXH VALVE	8	8	8	8	8	8	8	8	8	8	8	8	8	8	8	8	8	8	*	*	*
33	14035 AA131	GSKT-INT MANIFOLD	2	2	2	.	2	2	.	2	2	2	2	2	.	2	2	2	*	*	*	*	*
	14035 AA132	GSKT-INT MANIFOLD	.	.	.	2	.	.	.	2	2	*	*	*
	14035 AA132	GSKT-INT MANIFOLD	.	2	.	2	2	.	2	.	2	.	2	.	2	.	2	.	2	.	*	*	*
34	8067 33010	OILSEAL-33X49X8	8	8	8	1	8	8	1	8	8	8	8	8	8	8	8	8	8	*	*	*	*
	8067 33010	OIL SEAL-33X49X8	.	1	.	1	1	.	1	.	1	.	1	.	1	.	1	.	1	.	*	*	*

Fig No.

003-1

GASKET & SEAL KIT (ENGINE)

ITEM NO.	PART NUMBER	PART NAME	4D						SW						TW		M Y				REMARKS					
			2WD			4WD			2WD			4WD			2W	4W	9	9	9	9						
			L	L	T	L	L	T	L	L	T	L	L	T	L	L	0	1	2	3		4				
35	15048 AA000	SLNG-OIL PUMP	2	2	2	2	2	2	2	2	2	2	2	2	2	2	2	2	2	2	*	*	*	*	*	
	15048 AA001	SLNG-OIL PUMP	.	.	.	2	.	.	.	2	2	*	*	*	*	*
36	8069 23060	O RING-23.7X3.5	1	1	1	1	1	1	1	1	1	1	1	1	1	1	1	1	1	1	*	*	*	*	*	
37	21116 AA010	SLNG-WATER PUMP	1	1	1	1	1	1	1	1	1	1	1	1	1	1	1	1	1	1	*	*	*	*	*	
38	21236 AA000	GSKT-THERMO	1	1	1	1	1	1	1	1	1	1	1	1	1	1	1	1	1	1	*	*	*	*	*	
39	8053 23020	CIRCLIP-INR 23	8	8	8	8	8	8	8	8	8	8	8	8	8	8	8	8	8	8	*	*	*	*	*	
40	8069 33010	O RING-33.7X3.5	2	2	2	2	2	2	2	2	2	2	2	2	2	2	2	2	2	2	*	*	*	*	*	
41	13549 AA000	SLNG-BELT CVR,NO.3	1	1	1	1	.	1	1	1	.	1	1	1	1	1	1	.	1	1	*	*	.	.	.	
42	13550 AA000	SLNG-BELT CVR,NO.4	1	1	1	1	.	1	1	1	.	1	1	1	1	1	1	.	1	1	*	*	.	.	.	
43	22659 AA002	GSKT-AIR CONT VLV	.	.	.	1	.	.	.	1	*
	22659 AA002	GSKT-AIR CONT	.	1	1	.	1	1	1	.	1	.	1	1	.	1	1	.	1	1	.	.	*	*	*	*
44	14038 AA000	GSKT-EXH MANIFOLD	.	.	.	2	.	.	.	2	2	*	*	*	*	*
45	8039 12040	GASKET-12X16X1	.	.	.	4	.	.	.	4	4	*	*	*	*	*
46	8039 10050	GSKT-10X14X1	.	.	.	2	.	.	.	2	2	*	*	*	*	*
47	8069 10110	O RING-10X2	.	.	.	2	.	.	.	2	2	*	*	*	*	*
48	8069 59020	O RING-59.4X3.1	.	.	.	1	.	.	.	1	1	*	*	*	*	*
49	8069 17040	O RING-17.4X2.4	.	.	.	1	.	.	.	1	1	*	*	*	*	*
	8069 17040	O RING	.	1	1	.	.	1	1	.	.	1	1	.	1	1	.	1	1	.	*	*	*	*	*	
50	8069 15110	O RING-14.7X2.4	.	.	.	2	.	.	.	2	2	*	*	*	*	*

ITEM NO.	PART NUMBER	PART NAME	4D				SW				TW		M Y				REMARKS				
			2WD		4WD		2WD		4WD		2	4	9	9	9	9					
			L	S	L	S	L	S	L	S	L	S						W	W		
			L	S	TURBO	L	S	TURBO	L	S	TURBO	L	S	TURBO	L	S	0	1	2	3	4
1	11008 AA020	BLOCK SET-CYL	1	1	1	1	1	1	1	1	1	1	1	1	1	1	*	*	*	*	*
	11008 AA030	BLOCK SET-CYL	.	.	.	1	*	*	*	*	*
2	11034 AA000	WASH-CYL BLK SLNG	6	6	6	6	6	6	6	6	6	6	6	6	6	6	*	*	*	*	*
3	8002 10990	BOLT-10X158X30	8	8	8	8	8	8	8	8	8	8	8	8	8	8	*	*	*	*	*
4	8030 10120	WASHER-10.5X18X2.0	4	4	4	4	4	4	4	4	4	4	4	4	4	4	*	*	*	*	*
5	8006 10010	BOLT-10X106X30	2	2	2	2	2	2	2	2	2	2	2	2	2	2	*	*	*	*	*
6	8069 31020	O RING-31X2.0	1	1	1	1	1	1	1	1	1	1	1	1	1	1	*	*	*	*	*
7	11093 AA000	CVR-SERVICE HOLE	1	1	1	1	1	1	1	1	1	1	1	1	1	1	*	*	*	*	*
8	8001 08860	BOLT-8X85X20	1	1	1	1	1	1	1	1	1	1	1	1	1	1	*	*	*	*	*
9	11021 AA020	PLUG-CYL BLOCK	3	3	3	3	3	3	3	3	3	3	3	3	3	3	*	*	*	*	*
10	8039 28010	GASKET-28.2X33.5X1	3	3	3	3	3	3	3	3	3	3	3	3	3	3	*	*	*	*	*
11	8005 06320	BOLT&WASH AY-6X13X13	6	6	6	6	6	6	6	6	6	6	6	6	6	6	*	*	*	*	*
12	11036 AA001	BAFFLE-CYL BLOCK	1	1	1	1	1	1	1	1	1	1	1	1	1	1	*	*	*	*	*
13	15018 AA020	UNION-OIL PUMP	1	1	1	.	1	1	1	1	1	1	1	.	1	1	*	*	.	.	.
	15018 AA021	UNION-OIL PUMP	.	1	1	.	1	1	.	1	1	.	1	1	.	1	.	*	*	*	*
14	8009 10470	STUD-10X106X20.5	2	2	2	2	2	2	2	2	2	2	2	2	2	2	*	*	*	*	*
15	25240 KA040	SW AY-OIL PRESS	1	1	1	1	1	1	1	1	1	1	1	1	1	1	*	*	*	*	*
16	10010 AA001	HANGER-ENG	1	1	1	1	1	1	1	1	1	1	1	1	1	1	*	*	*	*	*
17	0105 0818A	FLANGE BOLT	1	1	1	1	1	1	1	1	1	1	1	1	1	1	*	*	*	*	*
18	11831 AA010	COVER-OIL SEPR	1	1	1	1	1	1	1	1	1	1	1	1	1	1	*	*	*	*	*
	11831 AA080	COVER-OIL SEPR	.	1	1	.	1	1	.	1	1	.	1	1	.	1	.	*	*	*	*
19	8015 06040	SCREW-CSK HD6X14X14	8	8	8	8	8	8	8	8	8	8	8	8	8	8	*	*	*	*	*
20	8067 86010	OIL SEAL-86X103X10	1	1	1	1	1	1	1	1	1	1	1	1	1	1	*	*	*	*	*
21	8069 32030	O RING-32.6X2.7	1	1	1	1	1	1	1	1	1	1	1	1	1	1	*	*	*	*	*
22	8069 19050	O RING-19.2X2.4	3	3	3	3	3	3	3	3	3	3	3	3	3	3	*	*	*	*	*
23	8007 06500	BOLT-6X26X20	1	1	1	1	1	1	1	1	1	1	1	1	1	1	*	*	*	*	*
24	8006 08250	BOLT-8X65X20	6	6	6	6	6	6	6	6	6	6	6	6	6	6	*	*	*	*	*
25	11024 AA110	PLUG-MAIN GALLERY	1	1	1	1	1	1	1	1	1	1	1	1	1	1	*	*	.	.	.
	11024 AA111	PLUG-MAIN GALL	.	1	1	.	1	1	.	1	1	.	1	1	.	1	.	*	*	.	.
	11024 AA151	PLUG-MAIN GALL	.	1	1	.	1	1	.	1	1	.	1	1	.	1	.	*	*	.	.
26	0370 18200	GSKT-ALUMINUM	1	1	1	1	1	1	1	1	1	1	1	1	1	1	*	*	*	*	*
27	8040 14060	STR PIN-14.7X18	4	4	4	4	4	4	4	4	4	4	4	4	4	4	*	*	*	*	*
28	11021 AA110	PLUG-CYL BLOCK	1	1	1	1	1	1	1	1	1	1	1	1	1	1	*	*	*	*	*
	11021 AA111	PLUG-CYL BLOCK	.	1	1	.	1	1	.	1	1	.	1	1	.	1	.	*	*	.	.
29	8039 36020	GSKT-36.2X44X1.5	1	1	1	1	1	1	1	1	1	1	1	1	1	1	*	*	*	*	*
30	11021 AA020	PLUG-CYL BLOCK	1	1	1	.	1	1	1	1	1	1	1	1	1	1	*
	11021 AA120	PLUG-CYL BLOCK	1	1	1	.	1	1	1	1	1	1	1	1	1	1	*
	11021 AA120	PLUG-CYL BLOCK	.	1	1	.	1	1	.	1	1	.	1	1	.	1	.	*	.	.	.
	11021 AA120	PLUG-CYL BLOCK	*	.	.	.
	11021 AA121	PLUG-CYL BLOCK	.	1	1	.	1	1	.	1	1	.	1	1	.	1	.	*	.	.	.
31	8039 28010	GSKT-28.2X33.5X1	1	1	1	.	1	1	1	1	1	1	1	1	1	1	*
	8039 28020	GSKT-28.2X33.5X2	1	1	1	.	1	1	1	1	1	1	1	1	1	1	*

-28-

29-

-11-

12-

-2Y FOR BLOCK HEATER

2Z- FOR BLOCK HEATER

-2Y FOR BLOCK HEATER

-9Y

9Z-

-2Y

2Z-

2Z-

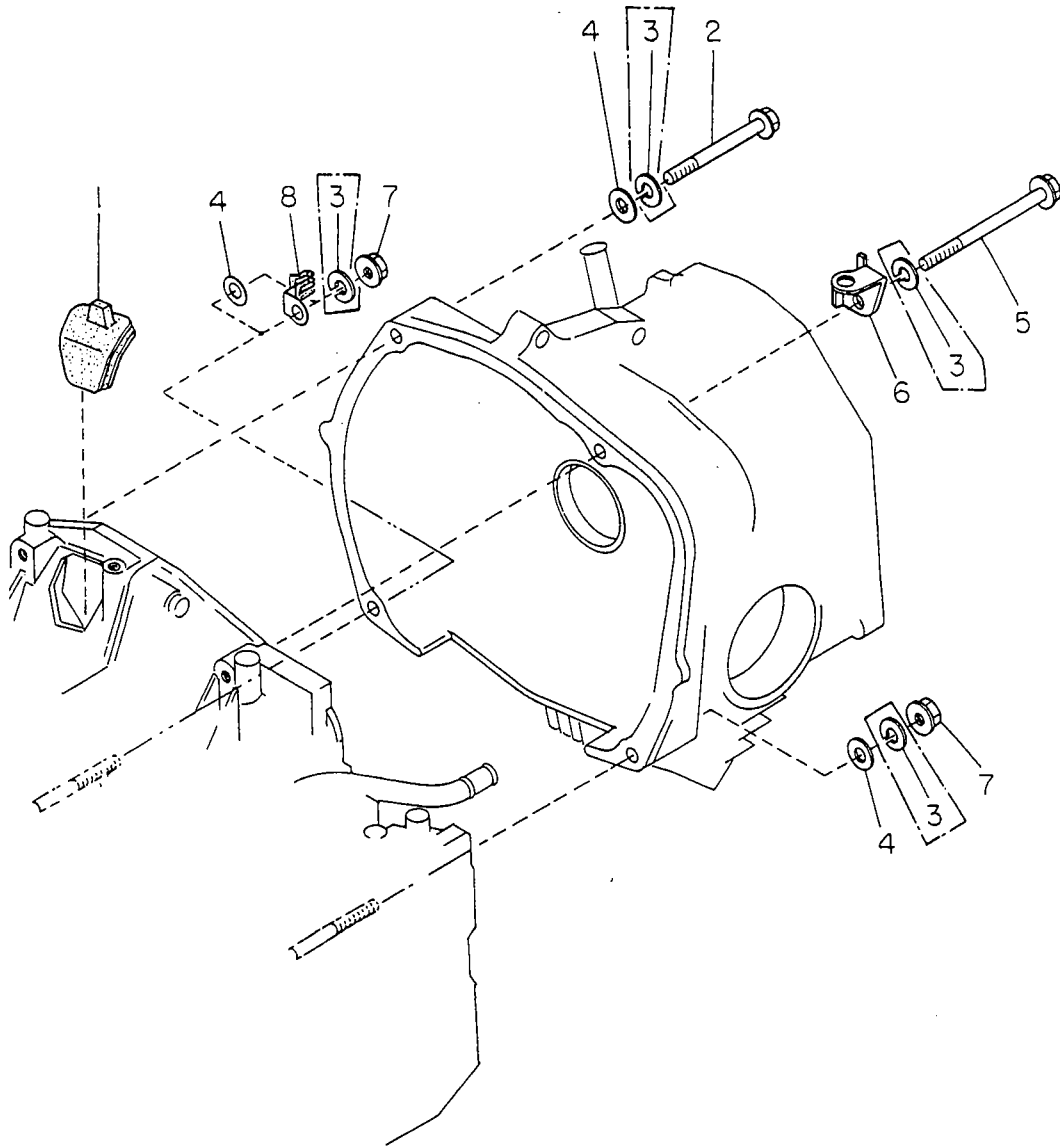
-9Y

9Z-

Fig No.

011-1

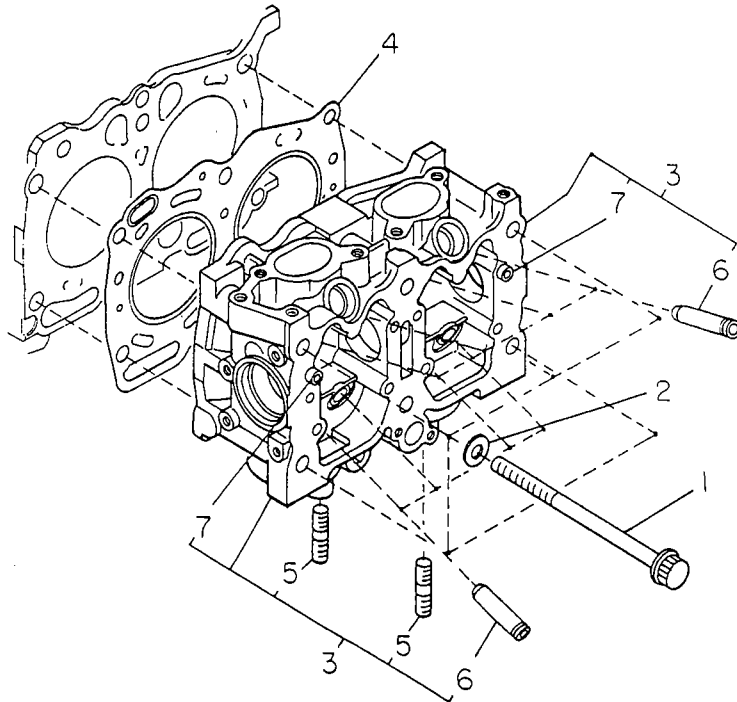
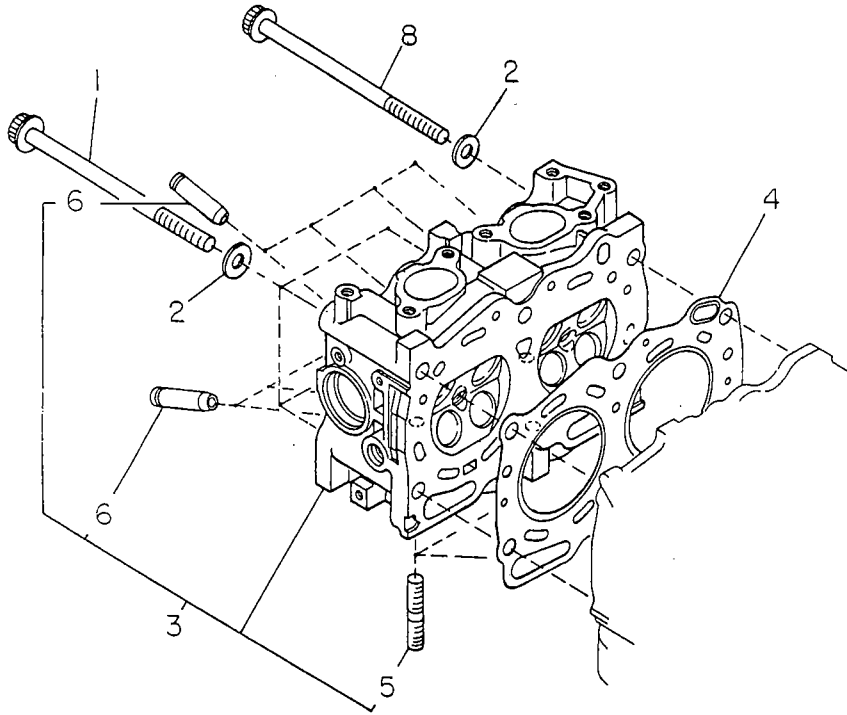
TIMING HOLE PLUG & TRANSMISSION BOLT



ITEM NO.	PART NUMBER	PART NAME	4D									SW									TW		M Y				REMARKS			
			2WD			4WD			2WD			4WD			2W	4W	9	9	9	9										
			L	L	L	L	L	L	L	L	L	L	L	L	L	L					0	1	2	3	4					
1	11413 AA032	PLUG-TIMING HOLE	1	1	1	1	1	1	1	1	1	1	1	1	1	1	1	1	1	1	1	1	*	*	*	*	*	*		
2	8002 10980	BOLT-10X85X35	1	1	1	1	1	1	1	1	1	1	1	1	1	1	1	1	1	1	1	1	1	*	*	*	*	*	*	AT
	8006 10030	BOLT-10X100X35	1	1	1	1	.	1	1	1	1	1	1	1	1	1	1	.	.	1	1	1	*	*	*	*	*	*	MT	
3	0320 10000	SPRING WASHER	4	4	4	4	.	4	4	4	.	4	4	4	4	4	4	.	.	4	4	4	*	-01	
4	0310 10000	WASHER	2	2	2	2	3	2	2	2	3	2	2	2	2	2	2	3	2	2	2	2	*	*	*	*	*	*		
5	8006 10050	BOLT-10X126X35	1	1	1	1	1	1	1	1	1	1	1	1	1	1	1	1	1	1	1	1	1	*	*	*	*	*	AT	
	8006 10030	BOLT-10X100X35	1	1	1	1	.	1	1	1	1	1	1	1	1	1	.	.	1	1	1	1	*	*	*	*	*	*	MT	
6	22442 AA001	STAY-BAT CABLE	1	1	1	1	1	1	1	1	1	1	1	1	1	1	1	1	1	1	1	1	*	*	*	*	*	*		
7	8020 10080	FLANGE NUT-10X9	2	2	2	2	2	2	2	2	2	2	2	2	2	2	2	2	2	2	2	2	*	*	*	*	*	*		
8	24233 AA053	CLIP-NO.4	1	1	1	1	.	1	1	1	.	1	1	1	1	1	1	.	1	1	1	*	*	*	*	*	*			

Fig No.
020-1

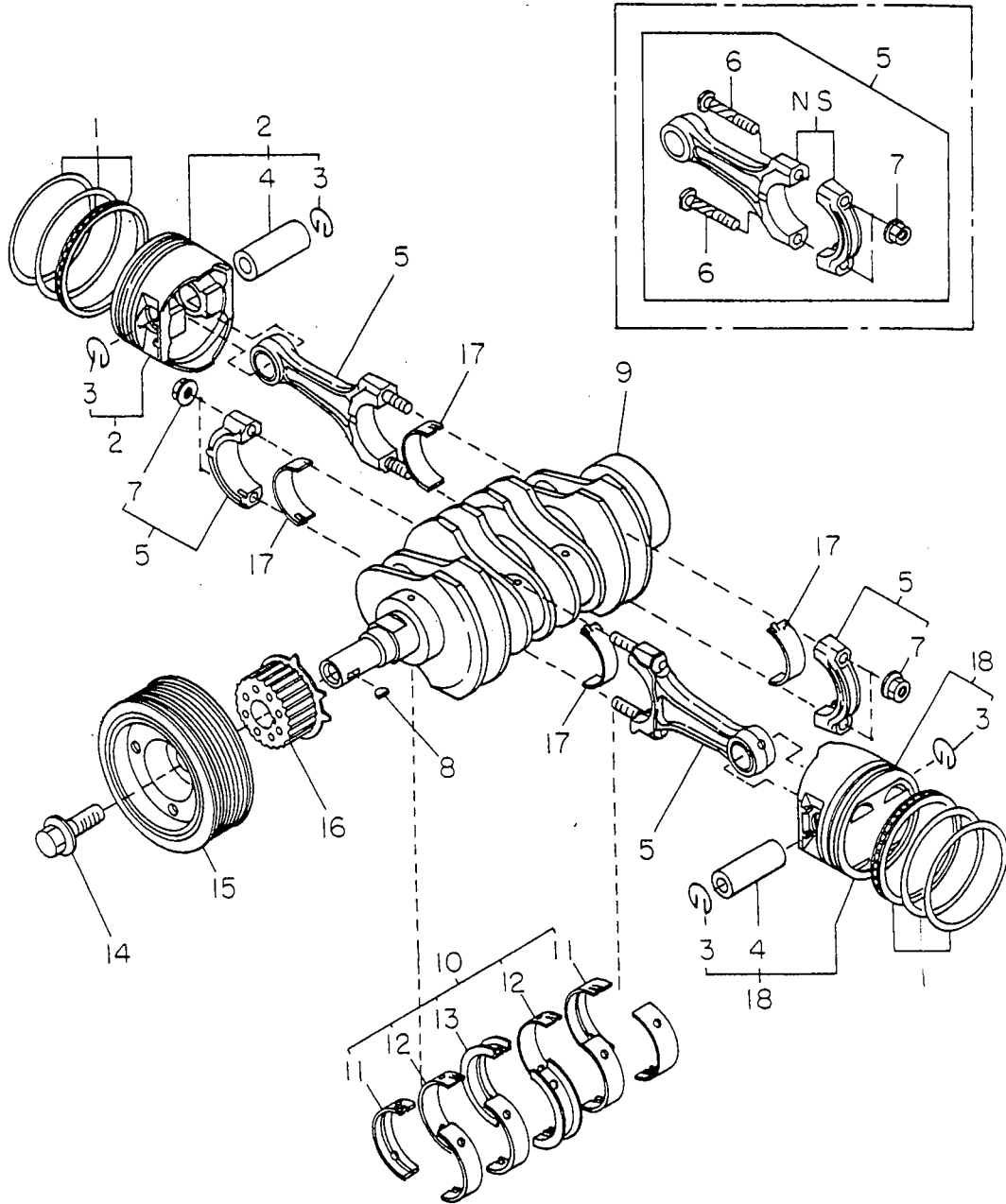
CYLINDER HEAD



ITEM NO.	PART NUMBER	PART NAME	4D						SW						TW		M Y				REMARKS				
			2WD			4WD			2WD			4WD			2	4	9	9	9	9					
			L	L	S	L	L	S	L	L	S	L	L	S	L	L						S	W	W	
			L	L	S	L	L	S	L	L	S	L	L	S	L	L	S	L	L	9	9	9	9		
			T	U	R	T	U	R	T	U	R	T	U	R	T	U	R	L	L	0	1	2	3	4	
1	8002 11190	BOLT-11X191X60	B	B	B	B	B	B	B	B	B	B	B	B	B	B	B	B	B	*	*	*	*	*	
2	8030 12100	WASHER-12.4X24.7X4	C	C	C	C	C	C	C	C	C	C	C	C	C	C	C	C	C	*	*	*	*	*	
3	11039 AA602	HEAD ASSY-CYL	2	2	2	2	2	2	2	2	2	2	2	2	2	2	2	2	2	*	*	*	*	*	
	11039 AA810	HEAD ASSY-CYL RH	.	.	.	1	.	.	1	1	*	*	*	*	*	RH
	11063 AA580	HEAD ASSY-CYL LH	.	.	.	1	.	.	1	1	*	*	*	*	*	LH
4	11044 AA110	GASKET-CYL HEAD	2	2	2	2	2	2	2	2	2	2	2	2	2	2	2	2	2	*	-01
	11044 AA111	GASKET-CYL HEAD	2	2	2	2	2	2	2	2	2	2	2	2	2	2	2	2	2	*	*	*	.	.	02-19
	11044 AA112	GSKT-CYL HEAD	.	2	2	.	2	2	.	2	2	.	2	2	.	2	2	.	2	.	.	*	*	*	1X-29
	11044 AA113	GSKT-CYL HEAD	.	2	2	.	2	2	.	2	2	.	2	2	.	2	2	.	2	.	.	*	*	*	2X-
	11044 AA280	GASKET-CYL HEAD	.	.	.	2	.	.	2	*	-12
	11044 AA281	GASKET-CYL HEAD	.	.	.	2	.	.	2	*	*	*	.	.	13-29
	11044 AA282	GSKT-CYL HEAD	2	2	*	*	*	2X-
5	8009 10390	STUD-10X43	6	6	6	6	6	6	6	6	6	6	6	6	6	6	6	6	6	*	*	*	*	*	
6	13212 AA040	GUIDE-VALVE	H	H	H	H	H	H	H	H	H	H	H	H	H	H	H	H	H	*	*	*	*	*	
7	8040 10060	STR PIN-10X12	4	4	4	4	4	4	4	4	4	4	4	4	4	4	4	4	4	*	*	*	*	*	
8	8002 11190	BOLT-11X191X60	1	1	1	1	1	1	1	1	1	1	1	1	1	1	1	1	1	*	*	*	*	*	

Fig No.
030-1

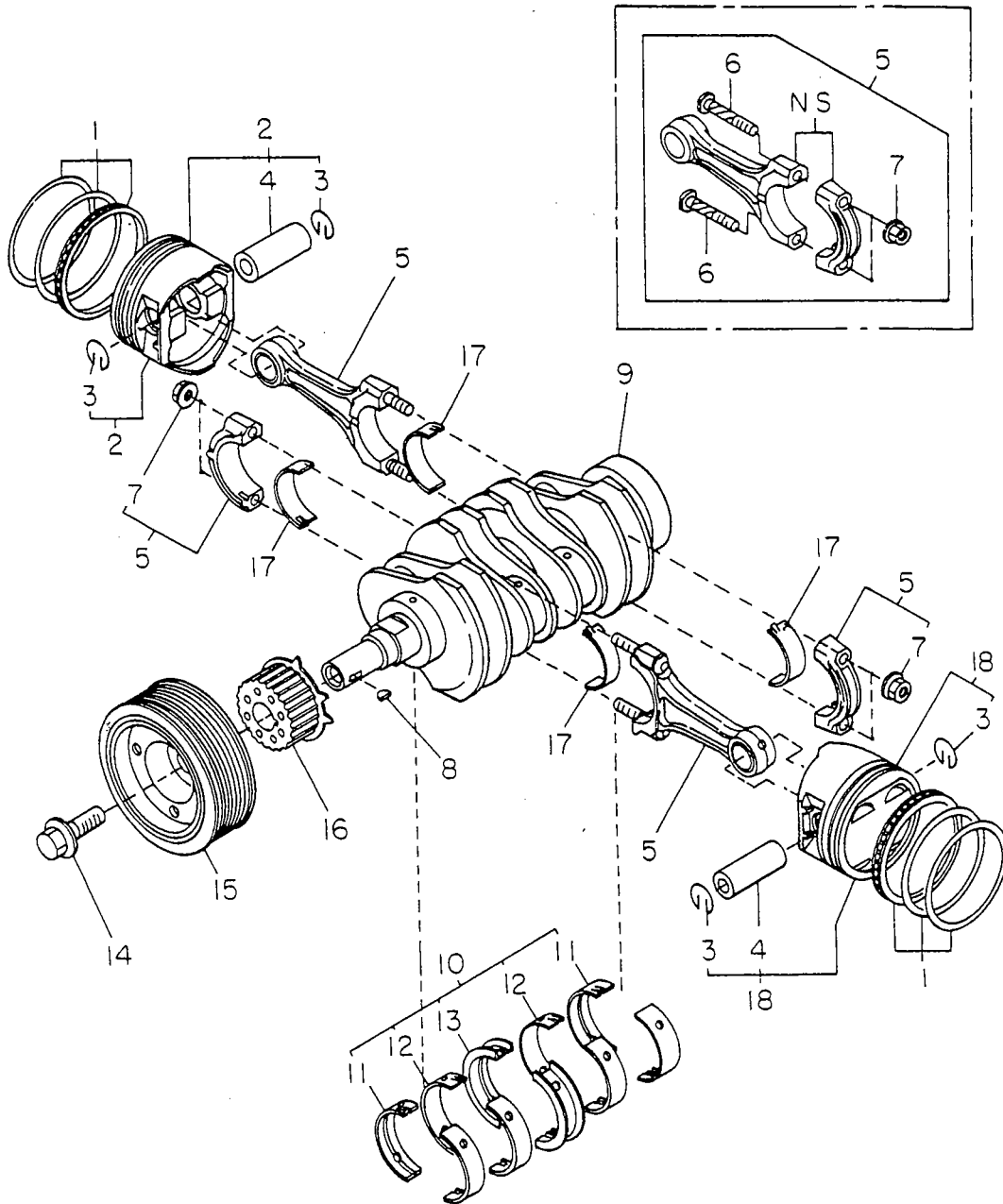
PISTON & CRANKSHAFT



ITEM NO.	PART NUMBER	PART NAME	4D			SW			TW		M Y				REMARKS
			2WD		4WD	2WD		4WD	2	4	9	9	9	9	
			L	L	L	L	L	L	L	L					
1	12033 AA210	RING SET-PISTON	1	1	1	1	1	1	1	1	*	*	*	*	STD
	12033 AA220	RING SET-PISTON	*	*	*	*	*	*	*	*	*	*	*	*	OS,0.25
	12033 AA230	RING SET-PISTON	*	*	*	*	*	*	*	*	*	*	*	*	OS,0.50
	12033 AA390	RING SET-PISTON	.	.	1	.	.	.	1	STD
	12033 AA400	RING SET-PISTON	.	.	*	.	.	.	*	OS,0.25
	12033 AA410	RING SET-PISTON	.	.	*	.	.	.	*	OS,0.50
2	12013 AA230	PISTON SET RH	2	2	2	2	2	2	2	2	*	.	.	.	-96 STD CRANKCASE MARK A
	12013 AA240	PISTON SET RH	*	*	*	*	*	*	*	*	-96 STD CRANKCASE MARK B
	12013 AA250	PISTON SET RH	*	*	*	*	*	*	*	*	-96 STD CRANKCASE MARK C
	12013 AA260	PISTON SET RH	*	*	*	*	*	*	*	*	-96 OS,0.25
	12013 AA270	PISTON SET RH	*	*	*	*	*	*	*	*	-96 OS,0.50
	12013 AA231	PISTON SET RH	2	2	2	2	2	2	2	2	*	*	*	*	97- STD CRANKCASE MARK A
	12013 AA241	PISTON SET RH	*	*	*	*	*	*	*	*	*	*	*	*	97- STD CRANKCASE MARK B
	12013 AA251	PISTON SET RH	*	*	*	*	*	*	*	*	*	*	*	*	97- STD CRANKCASE MARK C
	12013 AA261	PISTON SET RH	*	*	*	*	*	*	*	*	*	*	*	*	97- OS,0.25
	12013 AA271	PISTON SET RH	*	*	*	*	*	*	*	*	*	*	*	*	97- OS,0.50
	12013 AA340	PISTON SET RH	.	.	2	.	.	.	2	STD CRANKCASE MARK A
	12013 AA350	PISTON SET RH	.	.	*	.	.	.	*	STD CRANKCASE MARK B
	12013 AA360	PISTON SET RH	.	.	*	.	.	.	*	STD CRANKCASE MARK C
	12013 AA370	PISTON SET RH	.	.	*	.	.	.	*	OS,0.25
	12013 AA380	PISTON SET RH	.	.	*	.	.	.	*	OS,0.50
3	8053 23020	CIR CLIP-INR 23	8	8	8	8	8	8	8	8	*	*	*	*	
4	12024 AA030	PIN-PISTON	4	4	4	4	4	4	4	4	*	.	.	.	-97
	12024 AA031	PIN-PISTON	4	4	4	4	4	4	4	4	*	*	*	*	98-
	12024 AA050	PIN-PISTON	.	.	4	.	.	.	4	
5	12100 AA030	ROD ASSY-CONN	4	4	4	4	4	4	4	4	*	.	.	.	-96
	12100 AA031	ROD ASSY-CONN	4	4	4	4	4	4	4	4	*	*	*	*	97-32
	12100 AA080	ROD ASSY-CONN	.	.	4	.	4	.	4	33-
6	12109 AA020	BOLT-CONN ROD	8	8	8	8	8	8	8	8	*	*	.	.	
	12109 AA031	BOLT-CONN ROD	.	.	8	.	8	.	8	-32
7	8020 09010	NUT-9X9	8	8	8	8	8	8	8	8	*	*	*	*	
8	8045 05060	WDF KEY-5X6.5X16	1	1	1	1	1	1	1	1	*	*	*	*	
9	12200 AA040	CRANKSHAFT COMPL	1	1	1	1	1	1	1	1	*	*	*	*	-2Z
	12200 AA050	CRANKSHAFT COMPL	.	.	1	.	.	.	1	-2Z
	12200 AA042	CRANKSHAFT COMPL	.	.	1	.	1	.	1	31-
	12200 AA051	CRANKSHAFT COMPL	1	31-
10	12209 AA040	BRG SET-CRANK	1	1	1	1	1	1	1	1	*	*	*	*	STD
	12209 AA050	BRG SET-CRANK	*	*	*	*	*	*	*	*	*	*	*	*	US,0.03
	12209 AA060	BRG SET-CRANK	*	*	*	*	*	*	*	*	*	*	*	*	US,0.05
	12209 AA070	BRG SET-CRANK	*	*	*	*	*	*	*	*	*	*	*	*	US,0.25
	12209 AA000	BRG SET-CRANKSHAFT	.	.	1	.	.	.	1	STD

Fig No.
030-1

PISTON & CRANKSHAFT



ITEM NO.	PART NUMBER	PART NAME	4D				SW				TW		M Y				REMARKS
			2WD		4WD		2WD		4WD		2	4	9	9	9	9	
			L	L	L	L	L	L	L	L	W	W					
			S	S	S	S	S	S	S	S	W	W					
D	TURBO	D	TURBO	D	TURBO	D	TURBO	L	L								
10	12209 AA010	BRG SET-CRANKSHAFT	US,0.03	
	12209 AA020	BRG SET-CRANKSHAFT	US,0.05	
	12209 AA030	BRG SET-CRANKSHAFT	US,0.25	
11	12212 AA080	BRG SET-MAIN NO.2	2	2	2	2	2	2	2	2	2	2	2	2	2	STD	
	12212 AA090	BRG SET-MAIN NO.2	*	*	*	*	*	*	*	*	*	*	*	*	*	US,0.03	
	12212 AA100	BRG SET-MAIN NO.2	*	*	*	*	*	*	*	*	*	*	*	*	*	US,0.05	
	12212 AA110	BRG SET-MAIN NO.2	*	*	*	*	*	*	*	*	*	*	*	*	*	US,0.25	
	12212 AA040	BRG-SET MAIN NO.2	.	.	.	2	STD	
	12212 AA050	BRG-SET MAIN NO.2	.	.	.	*	US,0.03	
	12212 AA060	BRG-SET MAIN NO.2	.	.	.	*	US,0.05	
	12212 AA070	BRG-SET MAIN NO.2	.	.	.	*	US,0.25	
12	12211 AA080	BRG SET-MAIN	2	2	2	2	2	2	2	2	2	2	2	2	2	STD	
	12211 AA090	BRG SET-MAIN	*	*	*	*	*	*	*	*	*	*	*	*	*	US,0.03	
	12211 AA100	BRG SET-MAIN	*	*	*	*	*	*	*	*	*	*	*	*	*	US,0.05	
	12211 AA110	BRG SET-MAIN	*	*	*	*	*	*	*	*	*	*	*	*	*	US,0.25	
	12211 AA040	BRG SET-MAIN	.	.	.	2	STD	
	12211 AA050	BRG SET-MAIN	.	.	.	*	US,0.03	
	12211 AA060	BRG SET-MAIN	.	.	.	*	US,0.05	
	12211 AA070	BRG SET-MAIN	.	.	.	*	US,0.25	
13	12213 AA040	BRG SET-MAIN CTR	1	1	1	1	1	1	1	1	1	1	1	1	1	STD	
	12213 AA050	BRG SET-MAIN CTR	*	*	*	*	*	*	*	*	*	*	*	*	*	US,0.03	
	12213 AA060	BRG SET-MAIN CTR	*	*	*	*	*	*	*	*	*	*	*	*	*	US,0.05	
	12213 AA070	BRG SET-MAIN CTR	*	*	*	*	*	*	*	*	*	*	*	*	*	US,0.25	
	12213 AA000	BRG SET-MAIN CTR	.	.	.	1	STD	
	12213 AA010	BRG SET-MAIN CTR	.	.	.	*	US,0.03	
	12213 AA020	BRG SET-MAIN CTR	.	.	.	*	US,0.05	
	12213 AA030	BRG SET-MAIN CTR	.	.	.	*	US,0.25	
14	8002 13030	BOLT-13X65X28	1	1	1	1	1	1	1	1	1	1	1	1	1		
15	12305 AA130	PULLEY-CRANKSHAFT	1	1	1	1	1	1	1	1	1	1	1	1	1	-11 AT	
	12305 AA150	PULLEY-CRANKSHAFT	1	1	1	1	1	1	1	1	1	1	1	1	1	-11 MT	
	12305 AA130	PULLEY CRANK SFT	.	1	1	1	1	1	1	1	1	1	1	1	1	12-	
16	13021 AA064	SPKT CRANKSFT	1	1	1	1	1	1	1	1	1	1	1	1	1	-08	
	13021 AA065	SPKT CRANKSFT	.	1	1	1	1	1	1	1	1	1	1	1	1	09-19	
	13021 AA090	SPROCKET-CRANKSFT	.	1	1	1	1	1	1	1	1	1	1	1	1	1X-	
17	12108 AA210	BRG SET-CONN ROD	1	1	1	1	1	1	1	1	1	1	1	1	1	STD	
	12108 AA220	BRG SET-CONN ROD	*	*	*	*	*	*	*	*	*	*	*	*	*	US,0.03	
	12108 AA230	BRG SET-CONN ROD	*	*	*	*	*	*	*	*	*	*	*	*	*	US,0.05	
	12108 AA240	BRG SET-CONN ROD	*	*	*	*	*	*	*	*	*	*	*	*	*	US,0.25	
	12108 AA250	BRG SET-CONN ROD	.	.	.	1	STD	
	12108 AA260	BRG SET-CONN ROD	.	.	.	*	US,0.03	
	12108 AA270	BRG SET-CONN ROD	.	.	.	*	US,0.05	
	12108 AA280	BRG SET-CONN ROD	.	.	.	*	US,0.25	
	12108 AA380	BRG SET-CONN ROD STD	.	.	.	1	-28 STD	
	12108 AA390	BRG SET-CONN ROD U03	.	.	.	*	-28 US,0.03	
	12108 AA400	BRG SET-CONN ROD US5	.	.	.	*	-28 US,0.05	

Fig No.
030-1

PISTON & CRANKSHAFT

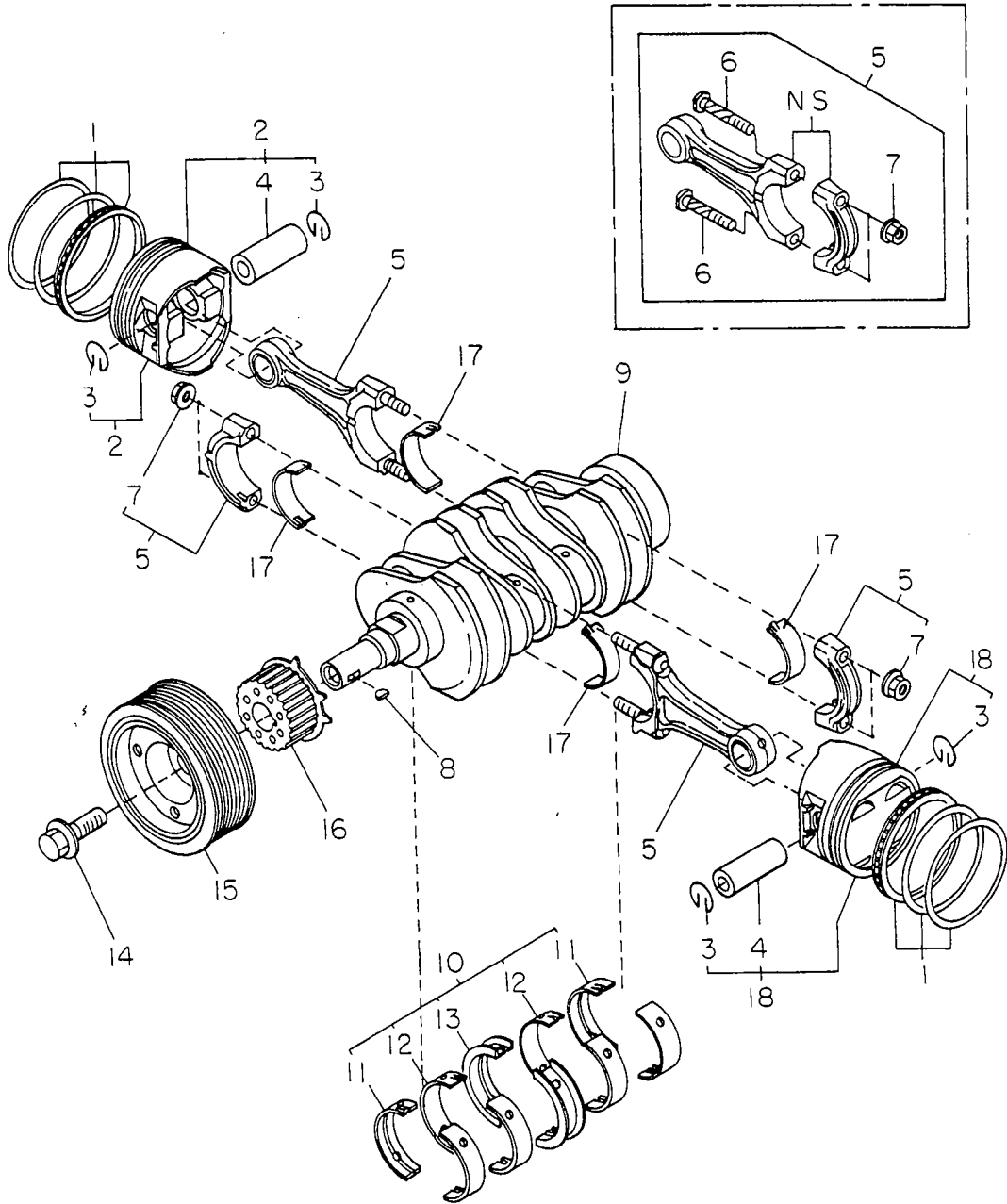
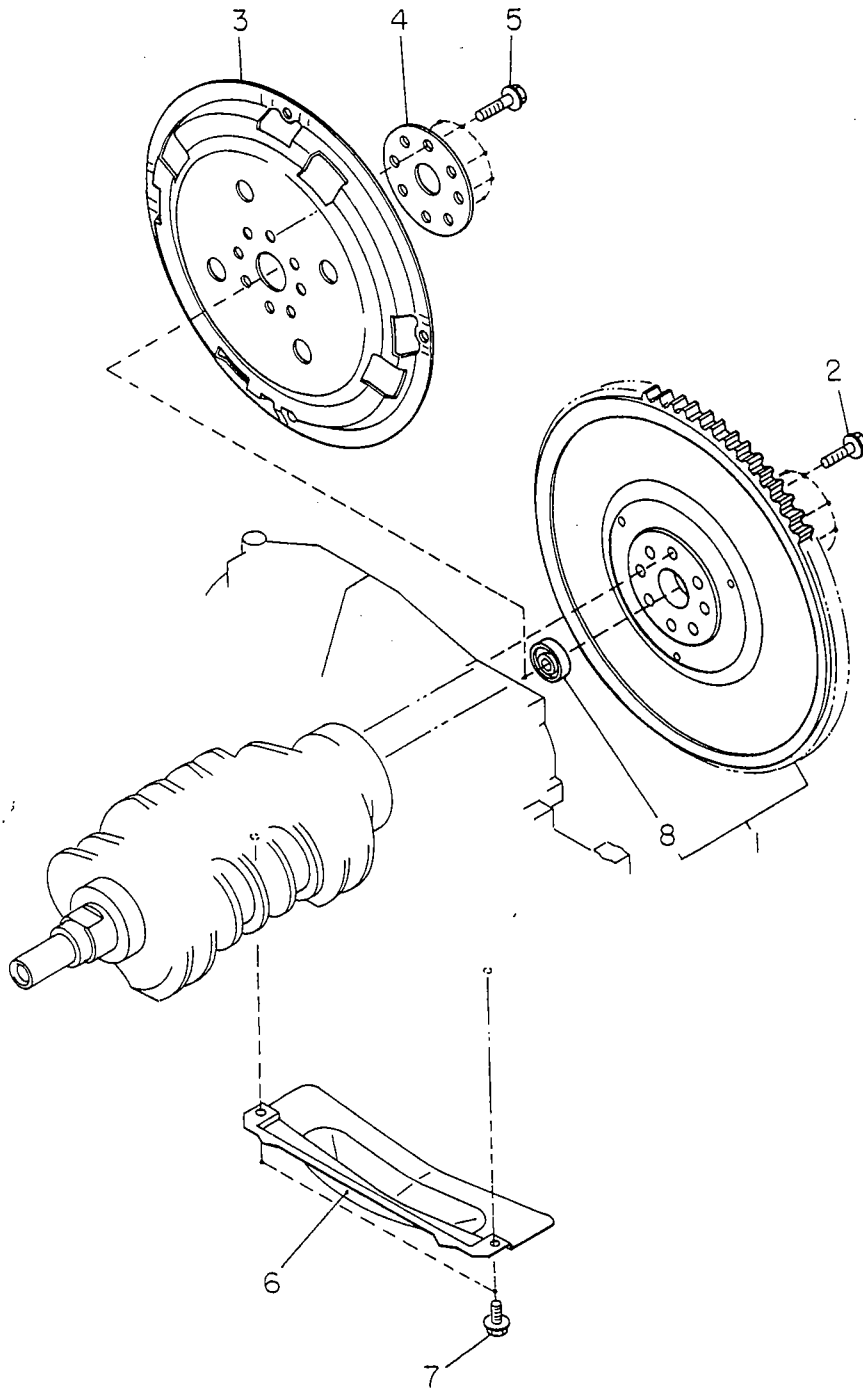


Fig No.
032-1

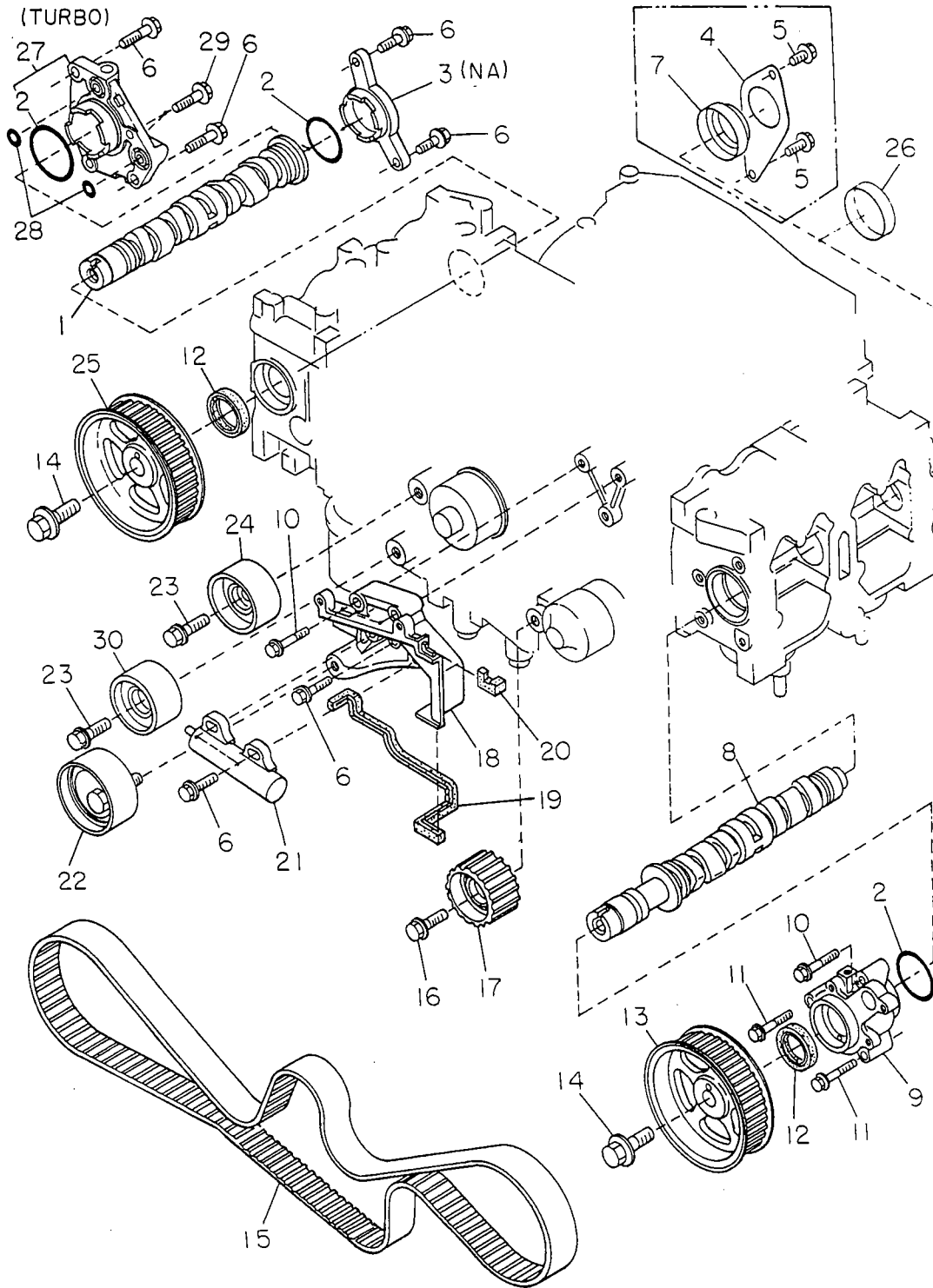
FLYWHEEL



ITEM NO.	PART NUMBER	PART NAME	4D						SW						TW		M Y				REMARKS			
			2WD			4WD			2WD			4WD			2W	4W	9	9	9	9				
			L	L	L	L	L	L	L	L	L	L	L	L	L	L	0	1	2	3		4		
1	12310 AA090	FLYWHEEL ASSY	1	1	1	1	1	1	1	1	1	1	1	1	1	1	1	*	*	*	*	*	*	MT
	12310 AA080	FLYWHEEL ASSY	MT
2	8002 10660	BOLT-10X27.5X20	8	8	8	8	8	8	8	8	8	8	8	8	8	8	8	*	*	*	*	*	*	MT
3	12332 AA030	PLATE-DRIVE	1	1	1	1	1	1	1	1	1	1	1	1	1	1	1	*	*	*	*	*	*	-41 AT
	12332 AA032	PLATE-DRIVE	.	1	1	.	1	1	.	.	1	1	.	1	.	1	*	.	42- AT
	12332 AA040	PLATE-DRIVE	.	.	.	1	1	*	*	*	*	*	-3Z AT
	12332 AA042	PLATE-DRIVE	1	*	.	41- AT
4	12333 AA010	REINF-DRIVE PLATE	1	1	1	1	1	1	1	1	1	1	1	1	1	1	1	*	*	*	*	*	*	AT
5	8002 10670	BOLT-10X16X13	8	8	8	8	8	8	8	8	8	8	8	8	8	8	8	*	*	*	*	*	*	AT
6	30217 AA020	COVER-CLUTCH HSG	1	1	1	1	.	1	1	1	1	1	1	1	.	.	1	*	*	*	*	*	*	MT
7	8005 06320	BOLT&WASH AY-6X13X13	2	2	2	2	.	2	2	2	2	2	2	2	.	.	2	*	*	*	*	*	.	-2Z MT
	8005 06350	B & W AY-6X13X13	.	2	.	.	.	2	.	.	2	.	.	2	.	.	2	.	.	.	*	*	*	31- MT
8	8062 12020	BALL BRG-12X32X100	1	1	1	1	.	1	1	1	1	1	1	1	.	.	1	*	*	*	*	*	*	MT

Fig No.
034-1

CAMSHAFT & CAMBELT



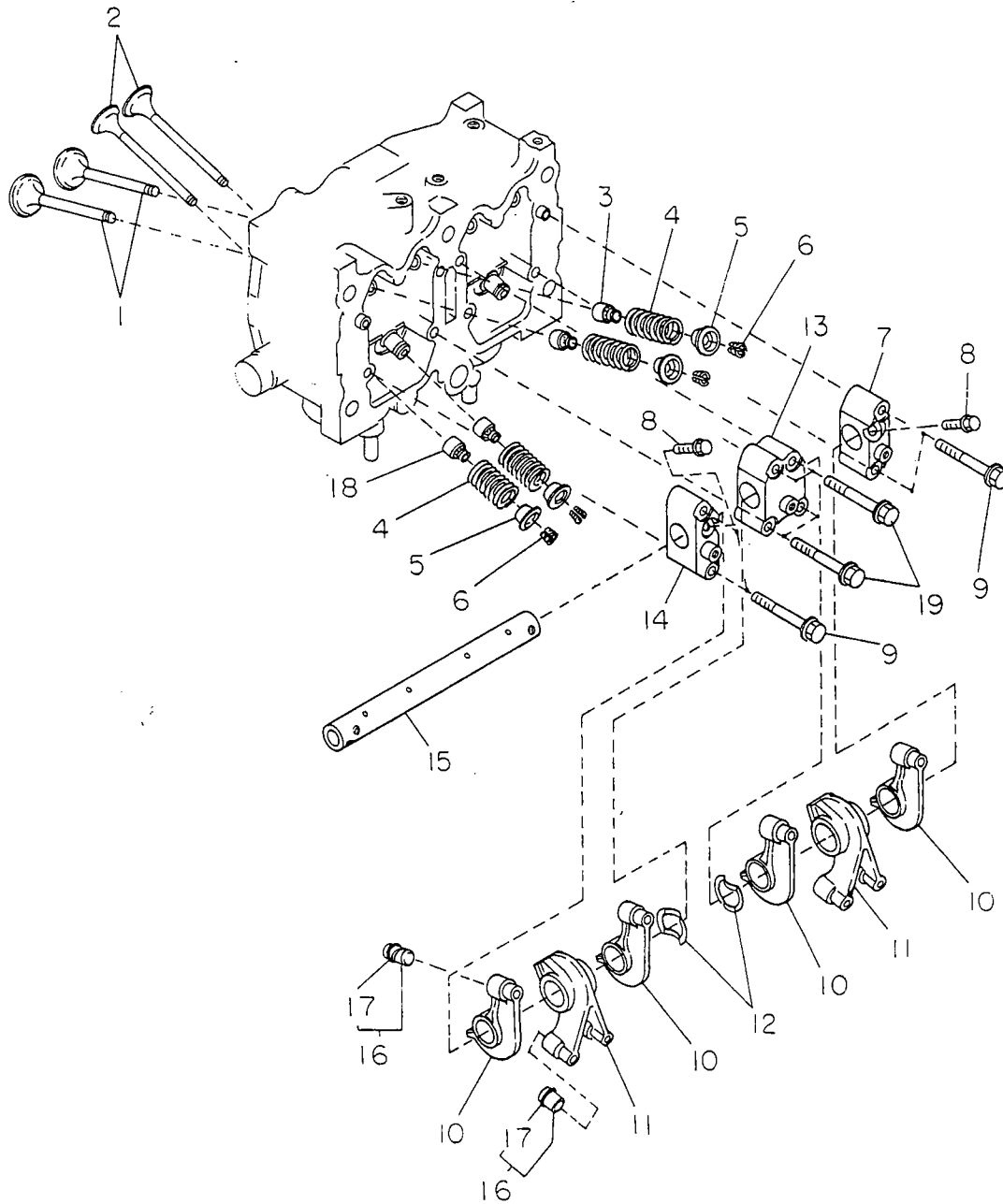
ITEM NO.	PART NUMBER	PART NAME	4D						SW						TW		M Y				REMARKS				
			2WD			4WD			2WD			4WD			2W	4W	9	9	9	9					
			L	L	L	L	L	L	L	L	L	L	L	L	L	L									
29	0105 0620A	FLANGE BOLT	.	.	.	2	.	.	.	2	2	*	*	*	*	
30	13073 AA080	IDLER CP-BELT	1	1	1	.	1	1	1	.	1	1	1	.	1	1	1	.	1	1	*	.	.	.	-96
	13073 AA081	IDLER CP-BELT	1	1	1	1	1	1	1	1	1	1	1	1	1	1	1	1	1	1	*	*	.	97-0Y	
	13073 AA082	IDLER CP-BELT	.	1	1	.	1	1	1	.	1	1	1	.	1	*	*	.	0Z-16	
	13073 AA180	IDLER CP-BELT	.	1	1	.	1	1	1	.	1	1	1	.	1	1	1	1	1	1	.	*	*	*	17-

ITEM NO.	PART NUMBER	PART NAME	4D			SW			TW		M Y				REMARKS	
			2WD		4WD	2WD		4WD	2	4	9	9	9	9		
			L	S	TURBO	L	S	TURBO	L	S						L
1	13201 AA080	VALVE-INT	8	8	8	8	8	8	8	8	8	8	8	8	8	-11
	13201 AA081	VALVE-INT	.	8	8	.	8	8	.	8	8	.	8	.	8	12-1Y
	13201 AA082	VALVE-INT	.	8	8	.	8	8	.	8	8	.	8	.	8	1Z-
	13201 AA070	VALVE-INT	.	.	.	8	.	.	.	8	-12
	13201 AA071	VALVE-INT	.	.	.	8	.	.	.	8	13-1Y E/#328159-
	13201 AA072	VALVE-INT	8	1Z-
2	13202 AA110	VALVE-EXH	8	8	8	8	8	8	8	8	8	8	8	8	8	-0Z
	13202 AA112	VALVE-EXH	.	8	8	.	8	8	.	8	8	.	8	.	8	11-
	13202 AA170	VALVE-EXH	.	.	.	8	.	.	.	8	-0Z
	13202 AA171	VALVE-EXH	.	.	.	8	.	.	.	8	11-
3	13207 AA050	SEAL-INT VALVE	8	8	8	8	8	8	8	8	8	8	8	8	8	
4	13217 AA000	SPRING-VALVE	H	H	H	H	H	H	H	H	H	H	H	H	H	-9Z
	13217 AA060	SPRING-VALVE	H	H	H	H	H	H	H	H	H	H	H	H	H	01-27
	13217 AA080	SPR-VLV	.	H	H	.	H	H	.	H	H	.	H	H	.	28- E/#651623-
5	13209 AA030	RET-VALVE SPR	H	H	H	H	H	H	H	H	H	H	H	H	H	-27
	13209 AA060	RET-VLV SPR	.	H	H	.	H	H	.	H	H	.	H	H	.	28- E/#651623-
6	13210 AA020	COLLET-VALVE	H	H	H	H	H	H	H	H	H	H	H	H	H	
7	13222 AA000	SUPT-VLV ROC SFT	2	2	2	2	2	2	2	2	2	2	2	2	2	-23
	13222 AA001	SUPT-VLV ROC SFT	.	2	2	.	2	2	.	2	2	.	2	2	.	24-28
	13222 AA220	SUPT-VLV ROC SFT	.	2	2	.	2	2	.	2	2	.	2	2	.	29- E/#675113-
	13222 AA030	SUPT-VLV ROC SFT	*	*	*	*	*	*	*	*	*	*	*	*	*	-23 MARK 'B'
	13222 AA031	SUPT-VLV ROC SFT	.	*	*	.	*	*	.	*	*	.	*	*	.	24-28 MARK 'B'
	13222 AA230	SUPT-VLV ROC SFT	.	*	*	.	*	*	.	*	*	.	*	*	.	29- MARK 'S' E/#675113-
8	8007 06240	BOLT 6X12.5X9.5	4	4	4	4	4	4	4	4	4	4	4	4	4	
9	8001 08680	BOLT-8X64X20	8	8	8	8	8	8	8	8	8	8	8	8	8	-28
	8007 08420	BOLT-8X49X20	.	8	8	.	8	8	.	8	8	.	8	8	.	29- E/#675113-
10	13251 AA000	ROC & CAP CP-VLV INT	8	8	8	8	8	8	8	8	8	8	8	8	8	MARK"-"
	13251 AA010	ROC & CAP CP-VLV INT	*	*	*	*	*	*	*	*	*	*	*	*	*	MARK"+"
11	13251 AA020	ROC & CAP CP-VLV EXH	4	4	4	4	4	4	4	4	4	4	4	4	4	MARK"-"
	13251 AA030	ROC & CAP CP-VLV EXH	*	*	*	*	*	*	*	*	*	*	*	*	*	MARK"+"
12	13256 AA030	SPR-VALVE ROCKER	4	4	4	4	4	4	4	4	4	4	4	4	4	
13	13222 AA010	SUPT-VLV ROC SFT	2	2	2	2	2	2	2	2	2	2	2	2	2	-23
	13222 AA180	SUPT-VLV ROC SFT	.	2	2	.	2	2	.	2	2	.	2	2	.	24- E/#592393-
	13222 AA040	SUPT-VLV ROC SFT	*	*	*	*	*	*	*	*	*	*	*	*	*	-23 MARK'B' (OR PUNCH MARK)
	13222 AA190	SUPT-VLV ROC SFT	.	*	*	.	*	*	.	*	*	.	*	*	.	24- E/#592393- MARK'B' (OR PUNCH MARK)
14	13222 AA020	SUPT-VLV ROC SFT	2	2	2	2	2	2	2	2	2	2	2	2	2	-28
	13222 AA200	SUPT-VLV ROC SFT	.	2	2	.	2	2	.	2	2	.	2	2	.	29- E/#675113-
	13222 AA050	SUPT-VLV ROC SFT	*	*	*	*	*	*	*	*	*	*	*	*	*	-28 MARK 'B' (OR PUNCH MARK)
	13222 AA210	SUPT-VLV ROC SFT	.	*	*	.	*	*	.	*	*	.	*	*	.	29- MARK 'S' E/#675113-
15	13252 AA011	SFT CP-VALVE ROC	2	2	2	2	2	2	2	2	2	2	2	2	2	-28
	13252 AA013	SFT CP-VLV ROC	.	2	2	.	2	2	.	2	2	.	2	2	.	29-
	13252 AA021	SFT CP-VALVE ROC	*	*	*	*	*	*	*	*	*	*	*	*	*	-28 MARK'B'
	13252 AA023	SFT CP-VLV ROC	.	*	*	.	*	*	.	*	*	.	*	*	.	29- MARK'B'
16	13230 AA110	ADJ CP-VLV LASH	H	H	H	H	H	H	H	H	H	H	H	H	H	

Fig No.

036-1

VALVE & VALVE ROCKER

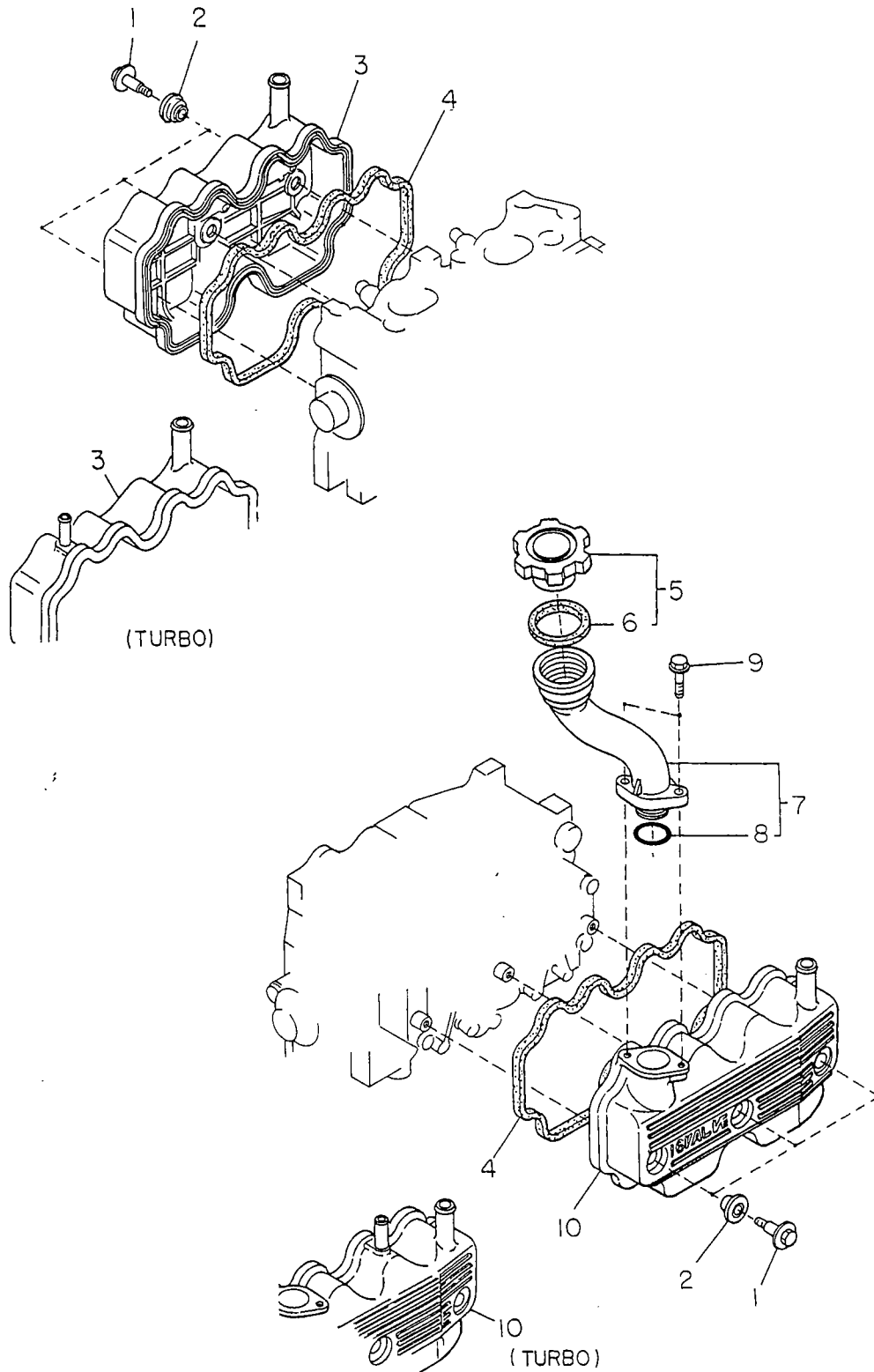


ITEM NO.	PART NUMBER	PART NAME	4D						SW						TW		M Y				REMARKS			
			2WD			4WD			2WD			4WD			2	4	9	9	9	9				
			L	L	TURBO	L	L	TURBO	L	L	TURBO	L	L	TURBO	L	L								
17	13396 AA000	O RING-ADJ VLV	H	H	H	H	H	H	H	H	H	H	H	H	H	H	H	*	*	*	*	*	*	
18	13211 AA050	SEAL-EXH VALVE	8	8	8	8	8	8	8	8	8	8	8	8	8	8	8	8	8	*	*	*	*	*
19	8001 08680	BOLT-8X64X20	8	8	8	8	8	8	8	8	8	8	8	8	8	8	8	8	8	*	*	*	*	*
	8007 08420	BOLT-8X49X20	.	8	8	.	8	8	.	8	.	8	8	.	8	8	.	8	.	*	*	*	*	*

-23
24- E/#592393-

Fig No.
038-1

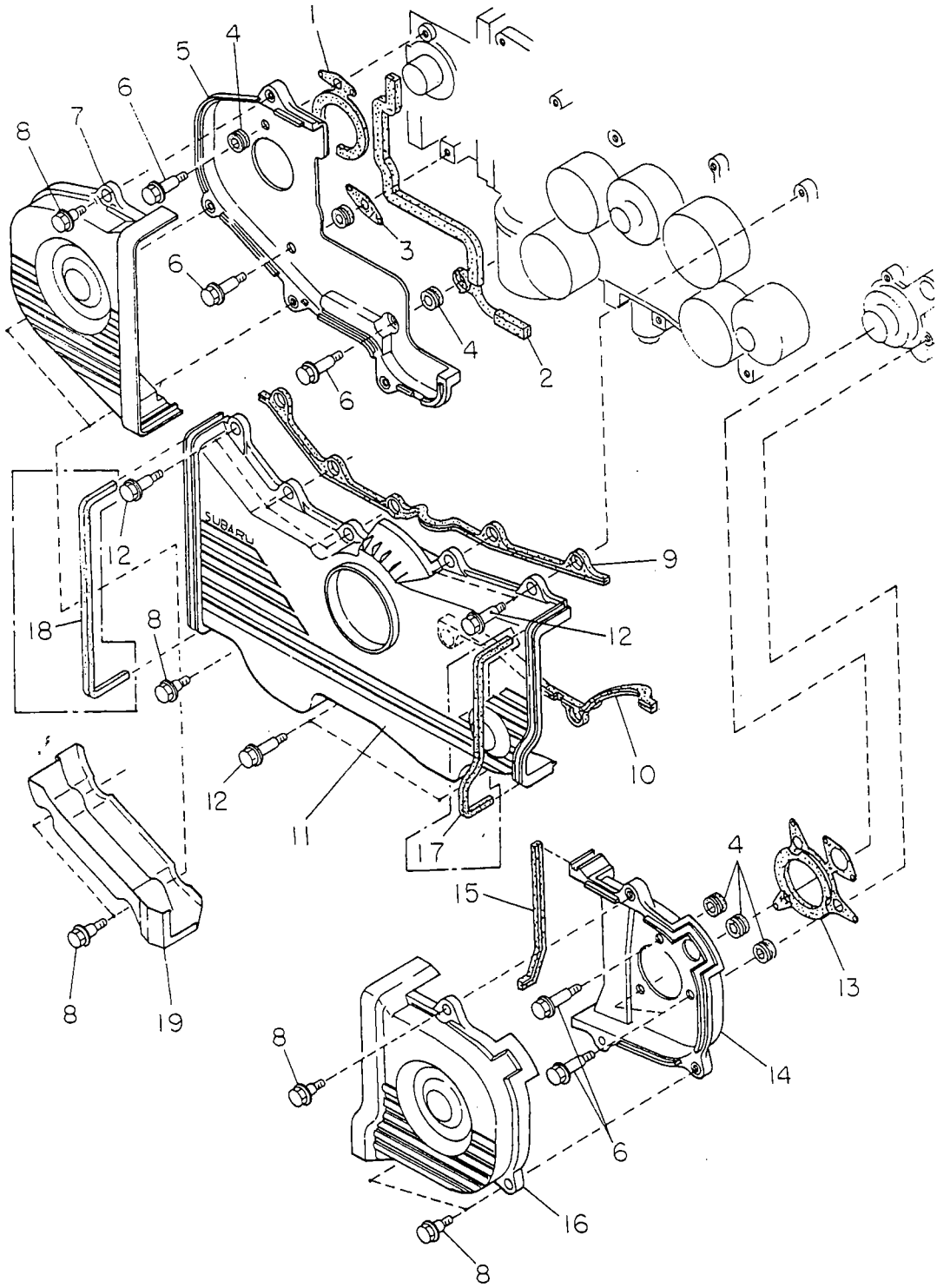
ROCKER COVER & OIL FILLER DUCT



ITEM NO.	PART NUMBER	PART NAME	4D						SW						TW		M Y				REMARKS						
			2WD			4WD			2WD			4WD			2	4	9	9	9	9							
			L	L	L	L	L	L	L	L	L	L	L	L	W	W						0	1	2	3	4	
1	8007 06110	BOLT-6X25.7X11	6	6	6	6	6	6	6	6	6	6	6	6	6	6	6	*	*	*	*	*	*	*	*	-06	
	8007 06940	BOLT-6X25.4X10	.	6	6	.	6	6	6	.	6	.	6	6	.	6	6	.	6	.	*	*	*	*	*	07-	
2	13271 AA002	WASHER-ROCKER COVER	6	6	6	6	6	6	6	6	6	6	6	6	6	6	6	*	*	*	*	*	*	*	*	-35	
	13271 AA003	WASH-ROCKER COVER	.	6	6	.	.	6	6	.	6	.	6	6	.	6	6	.	6	*	36-	
3	13264 AA070	CVR COMPL-VLV ROC RH	1	1	1	.	1	1	1	.	1	1	1	1	1	1	1	*	*	*	*	*	*	*	*		
	13264 AA110	CVR COMPL-VLV ROC RH	.	.	.	1	.	.	.	1	1	*	*	
4	13294 AA011	GSKT-ROCKER COVER	2	2	2	2	2	2	2	2	2	2	2	2	2	2	2	*	*	*	*	*	*	*	*	-23	
	13294 AA012	GSKT-ROCKER COVER	.	2	2	.	2	2	.	2	.	2	2	.	2	2	.	2	*	24-	
5	15255 AA020	CAP CP-OIL FILLER	1	1	1	1	1	1	1	1	1	1	1	1	1	1	1	*	*	*	*	*	*	*	*	-07	
	15255 AA021	CAP CP-OIL FILLER	.	1	1	.	1	1	.	1	.	1	1	.	1	1	.	1	*	08-15	
	15255 AA022	CAP CP-OIL FILLER	.	1	1	.	1	1	.	1	.	1	1	.	1	1	.	1	*	15- E/#398585-	
6	8039 42010	GSKT-42X51X8.5	1	1	1	1	1	1	1	1	1	1	1	1	1	1	1	*	*	*	*	*	*	*	*		
7	15251 AA000	DUCT-CP OIL FILLER	1	1	1	1	1	1	1	1	1	1	1	1	1	1	1	*	*	*	*	*	*	*	*		
8	8069 23060	O RING-23.7X3.5	1	1	1	1	1	1	1	1	1	1	1	1	1	1	1	*	*	*	*	*	*	*	*		
9	0104 0620G	FLANGE BOLT	2	2	2	2	2	2	2	2	2	2	2	2	2	2	2	*	*	*	*	*	*	*	*		
10	13278 AA060	CVR COMPL-VLV ROC LH	1	1	1	.	1	1	1	.	1	1	1	1	1	1	1	*	*	*	*	*	*	*	*		
	13278 AA090	CVR COMPL-VLV ROC LH	.	.	.	1	.	.	.	1	1	*	*	

Fig No.
040-1

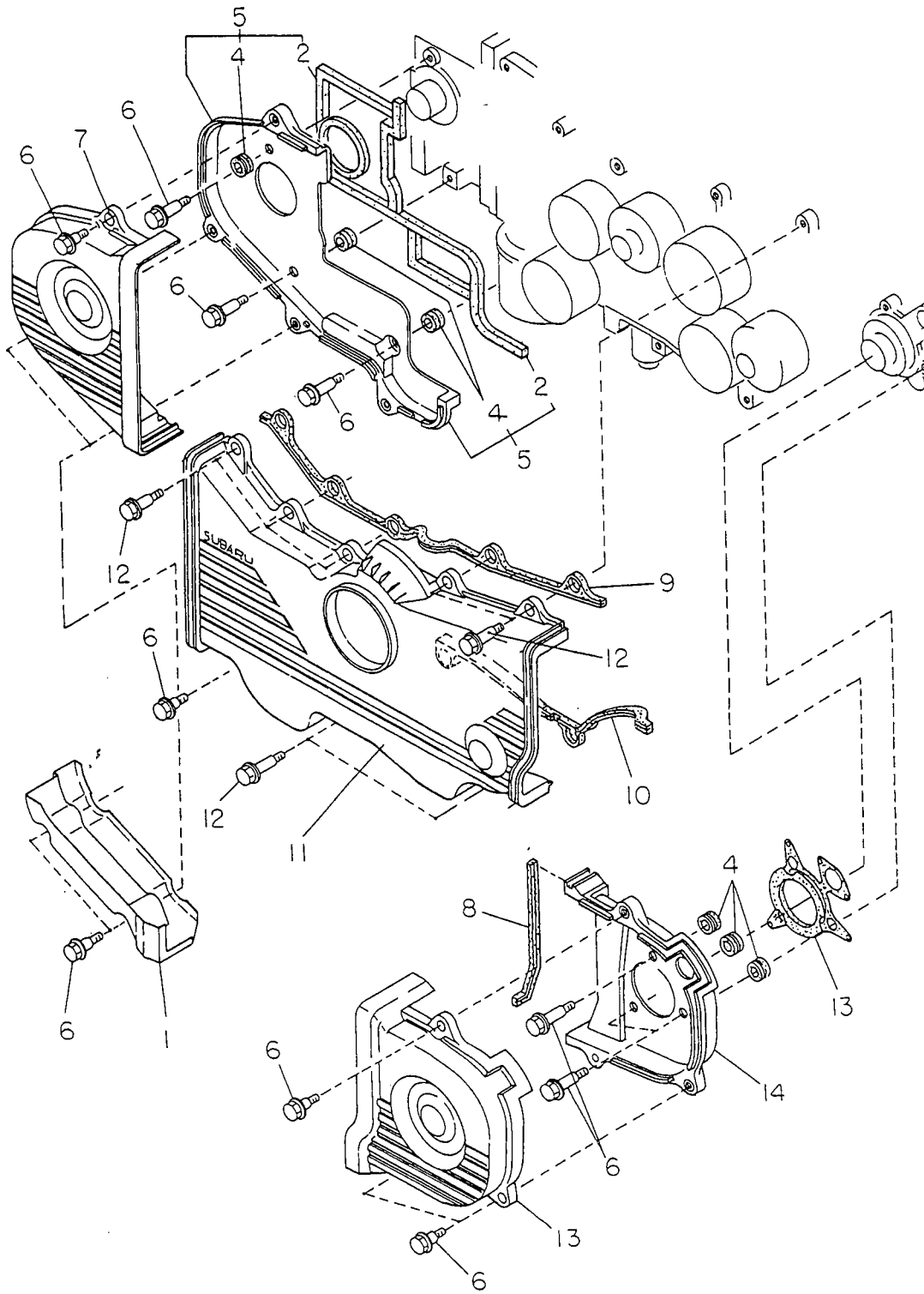
TIMING BELT COVER (TO DEC '92)



ITEM NO.	PART NUMBER	PART NAME	4D						SW						TW		M Y					REMARKS		
			2WD			4WD			2WD			4WD			2	4	9	9	9	9				
			L	L	TURBO	L	L	TURBO	L	L	TURBO	L	L	TURBO	L	L					TURBO			
			L	L	TURBO	L	L	TURBO	L	L	TURBO	L	L	TURBO	L	L	TURBO	L	L	9	9	9	9	
			0	1		2	3		4															
1	13553 AA000	SLNG-BELT COVER,3RH	1	1	1	1	1	1	1	1	1	1	1	1	1	1	1	1	1	*	*	*	*	-2Z
2	13583 AA051	SEALING-BELT CVR RH	1	1	1	1	1	1	1	1	1	1	1	1	1	1	1	1	1	*	*	*	*	-11
	13583 AA052	SEALING-BELT CVR RH	.	1	.	.	1	.	1	.	1	.	1	.	1	.	1	.	.	*	*	*	*	12-2Z
3	13584 AA050	SLNG-BELT COVER,2RH	1	1	1	1	1	1	1	1	1	1	1	1	1	1	1	1	1	*	*	*	*	-2Z
4	13592 AA010	MOUNT-CP BELT CVR	6	6	6	6	6	6	6	6	6	6	6	6	6	6	6	6	6	*	*	*	*	-2Z
5	13573 AA031	COVER-BELT NO.2 RH	1	1	.	.	1	1	.	1	1	.	1	1	.	1	1	.	1	*	.	.	.	-95
	13573 AA032	COVER-BELT NO.2 RH	1	1	1	1	1	1	1	1	1	1	1	1	1	1	1	1	1	*	*	.	.	96-0Z
	13573 AA033	COVER-BELT NO.2 RH	.	1	.	1	1	.	1	.	1	.	1	.	1	.	1	.	.	*	*	*	*	11-2Z
6	8007 06530	BOLT-6X14.5X14.5	6	6	6	6	6	6	6	6	6	6	6	6	6	6	6	6	6	*	*	.	.	-96
	8007 06930	BOLT-6X14.5X14.5	.	6	.	6	6	.	6	.	6	.	6	.	6	.	6	.	.	*	*	*	*	97-2Z
7	13572 AA030	COVER-BELT	1	1	1	1	1	1	1	1	1	1	1	1	1	1	1	1	1	*	*	*	*	-2Z
8	8007 06260	BOLT-6X20X16	7	7	7	7	7	7	7	7	7	7	7	7	7	7	7	7	7	*	*	*	*	-25
	8007 06930	BOLT-6X14.5X14.5	.	7	.	7	7	.	7	.	7	.	7	.	7	.	7	.	.	*	*	*	*	26-2Z
9	13581 AA050	SEALING-BELT CVR FR	1	1	1	1	1	1	1	1	1	1	1	1	1	1	1	1	1	*	*	*	*	-2Z
10	13594 AA010	SLNG-BELT COVER,2FR	1	1	1	.	1	1	.	1	1	1	1	1	1	1	1	1	1	*	*	*	*	-2Z
	13594 AA000	SLNG-BELT COVER,2FR	.	.	.	1	.	.	1	1	*	*	*	*	-2Z
11	13570 AA050	COVER-BELT FR	1	1	1	.	1	1	.	1	1	1	1	1	1	1	1	1	1	*	*	*	*	-1X
	13570 AA051	COVER-BELT FR	.	1	.	.	1	.	.	1	.	1	.	1	.	1	.	.	.	*	.	.	.	1Y-2Z E/#495729-
	13570 AA042	COVER-BELT FR	.	.	.	1	.	.	1	1	*	.	.	.	-1X
	13570 AA043	COVER-BELT FR	1	1	*	.	.	.	1Y-2Z E/#496061-
12	8007 06660	BOLT-6X24.5X10	7	7	7	7	7	7	7	7	7	7	7	7	7	7	7	7	7	*	*	.	.	-96
	8007 06950	BOLT-6X24.5X10	.	7	.	7	7	.	7	.	7	.	7	.	7	.	7	.	.	*	*	*	*	97-2Z
13	13585 AA071	SEALING-BELT CVR LH	1	1	1	1	1	1	1	1	1	1	1	1	1	1	1	1	1	*	*	*	*	-2Z
14	13575 AA052	COVER-BELT NO.2 LH	1	1	.	.	1	1	.	1	1	.	1	1	.	1	1	.	1	*	.	.	.	-95
	13575 AA053	COVER-BELT NO.2 LH	1	1	1	.	1	1	.	1	1	1	1	1	1	1	1	1	1	*	.	.	.	96-03
	13575 AA054	COVER-BELT NO.2 LH	1	1	1	1	1	1	1	1	1	1	1	1	1	1	1	1	1	*	*	.	.	04-0Z
	13575 AA055	COVER-BELT NO.2 LH	.	1	.	1	1	.	1	.	1	.	1	.	1	.	1	.	.	*	*	*	*	11-2Z
15	13586 AA041	SLNG-BELT COVER,2LH	1	1	1	1	1	1	1	1	1	1	1	1	1	1	1	1	1	*	*	*	*	-2Z
16	13574 AA040	COVER-BELT	1	1	1	1	1	1	1	1	1	1	1	1	1	1	1	1	1	*	*	*	*	-2Z
17	13550 AA000	SLNG-BELT COVER NO.4	1	1	1	1	1	1	1	1	1	1	1	1	1	1	1	1	1	*	*	.	.	-07
18	13549 AA000	SLNG-BELT COVER NO.3	1	1	1	1	1	1	1	1	1	1	1	1	1	1	1	1	1	*	*	.	.	-07
19	13578 AA010	PLATE CP-BELT CVR	.	.	.	1	.	.	1	1	*	*	*	*	-2Z

Fig No.
040-1A

TIMING BELT COVER (FROM JAN '93)



ITEM NO.	PART NUMBER	PART NAME	4D						SW						TW		M Y				REMARKS	
			2WD			4WD			2WD			4WD			2	4	9	9	9	9		
			L	L	T	L	L	T	L	L	T	L	L	T	L	L						
1	13578 AA010	PLATE CP-BELT CVR	31-
2	13583 AA080	SLNG-BELT CVR	.	4	4	.	4	4	.	4	4	.	4	4	.	4	4	.	4	4	.	31-
3	13574 AA040	COVER-BELT	.	1	1	.	1	1	.	1	1	.	1	1	.	1	1	.	1	1	.	31-
4	13592 AA010	MOUNT CP-BELT CVR	.	6	6	.	6	6	.	6	6	.	6	6	.	6	6	.	6	6	.	31-
5	13568 AA035	COVER AY-BELT NO2	.	1	1	.	1	1	.	1	1	.	1	1	.	1	1	.	1	1	.	31-
6	8007 06930	BOLT-6X14.5X14.5	.	E	E	.	E	E	.	E	E	.	E	E	.	E	E	.	E	E	.	31-
7	13572 AA030	COVER-BELT	.	1	1	.	1	1	.	1	1	.	1	1	.	1	1	.	1	1	.	31-
8	13586 AA041	SLNG-BELT COVER,2 LH	.	1	1	.	1	1	.	1	1	.	1	1	.	1	1	.	1	1	.	31-
9	13581 AA050	SEALING-BELT CVR FR	.	1	1	.	1	1	.	1	1	.	1	1	.	1	1	.	1	1	.	31-
10	13594 AA000	SLNG-BELT COVER,2 FR	31-
	13594 AA010	SLNG-BELT COVER,2 FR	.	1	1	.	1	1	.	1	1	.	1	1	.	1	1	.	1	1	.	31-
11	13570 AA043	COVER-BELT FR	31-
	13570 AA051	COVER-BELT FR	.	1	1	.	1	1	.	1	1	.	1	1	.	1	1	.	1	1	.	31-
12	8007 06950	BOLT-6X24.5X10	.	7	7	.	7	7	.	7	7	.	7	7	.	7	7	.	7	7	.	31-
13	13585 AA071	SEALING-BELT CVR LH	.	1	1	.	1	1	.	1	1	.	1	1	.	1	1	.	1	1	.	31-
14	13575 AA055	COVER-BELT NO.2 LH	.	1	1	.	1	1	.	1	1	.	1	1	.	1	1	.	1	1	.	31-

Fig No.

050-1

OIL PAN

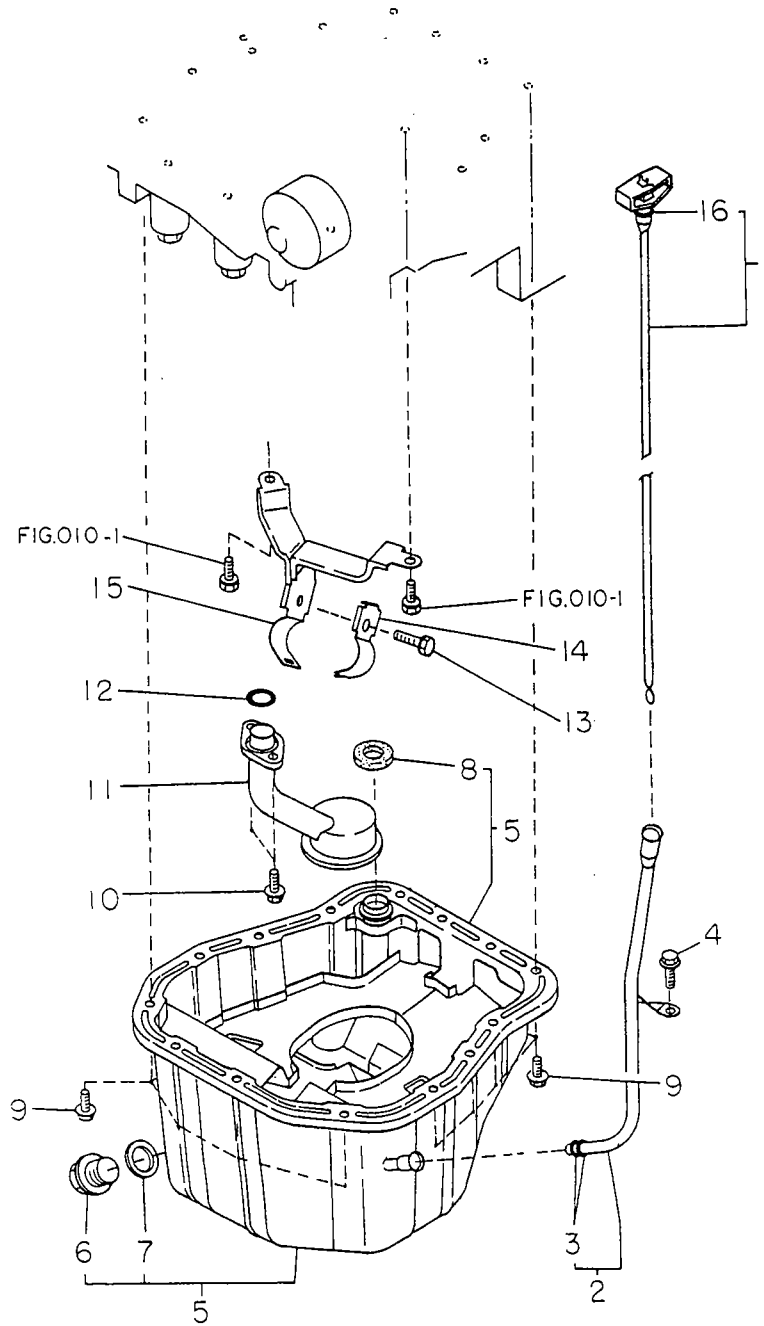


Fig No.
055-1

OIL PUMP & OIL FILTER

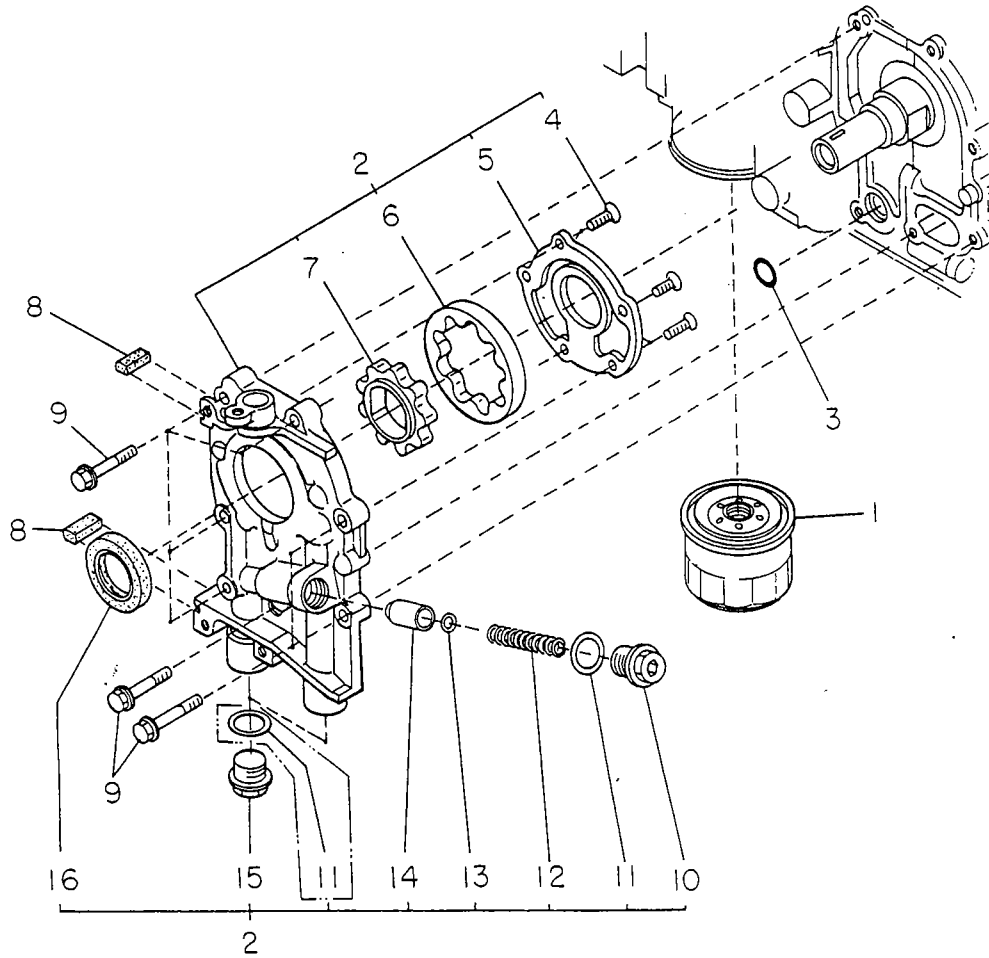


Fig No.
058-1

OIL COOLER; TURBO ('91MY)

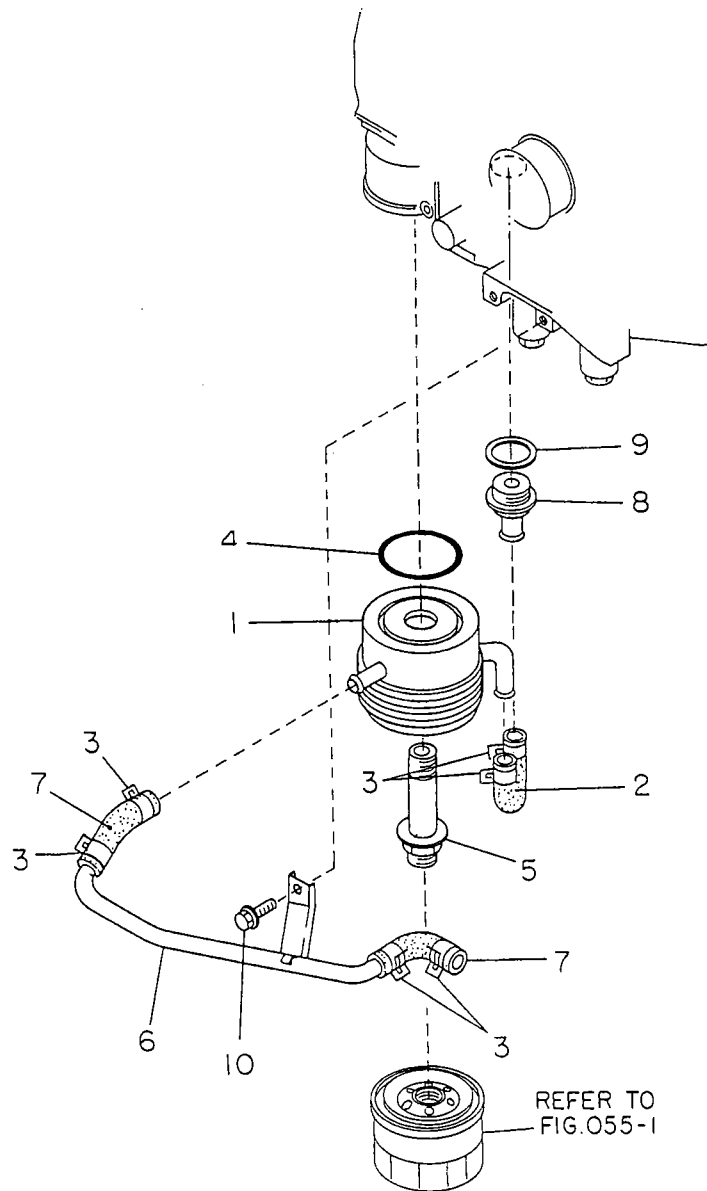
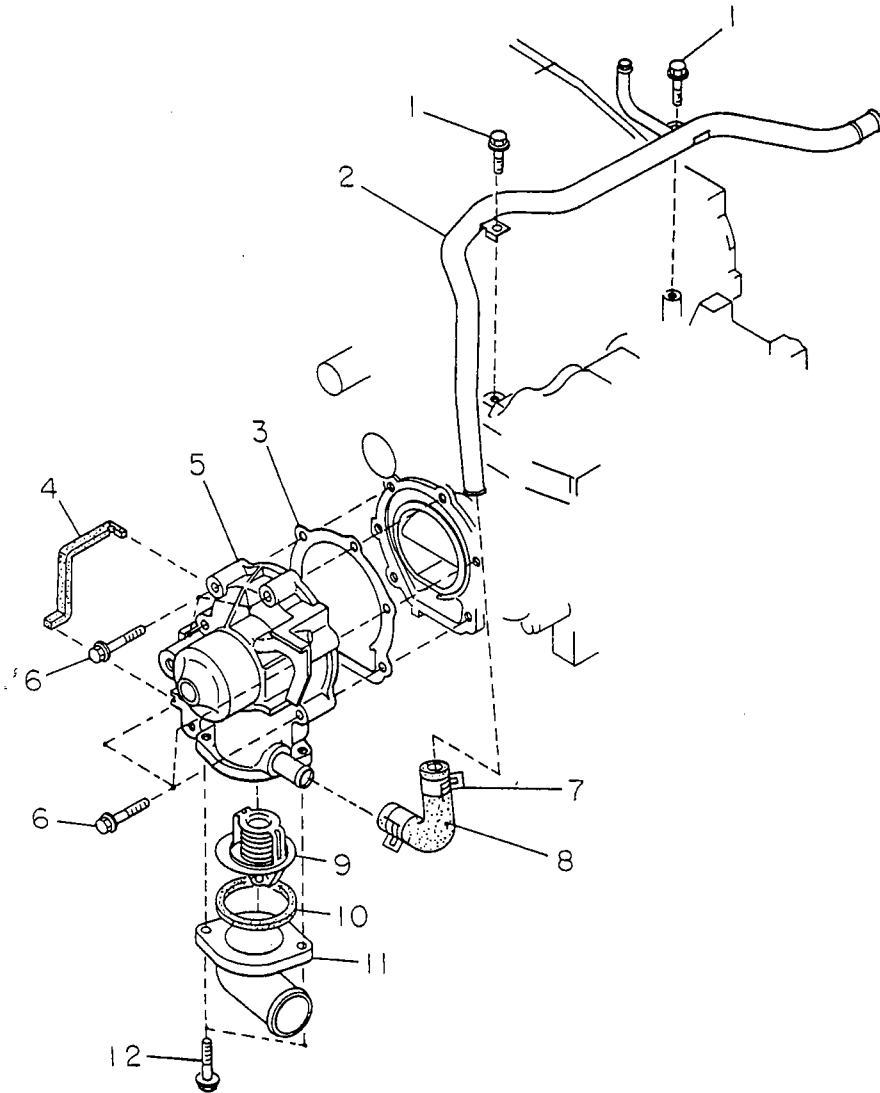


Fig No.
062-1

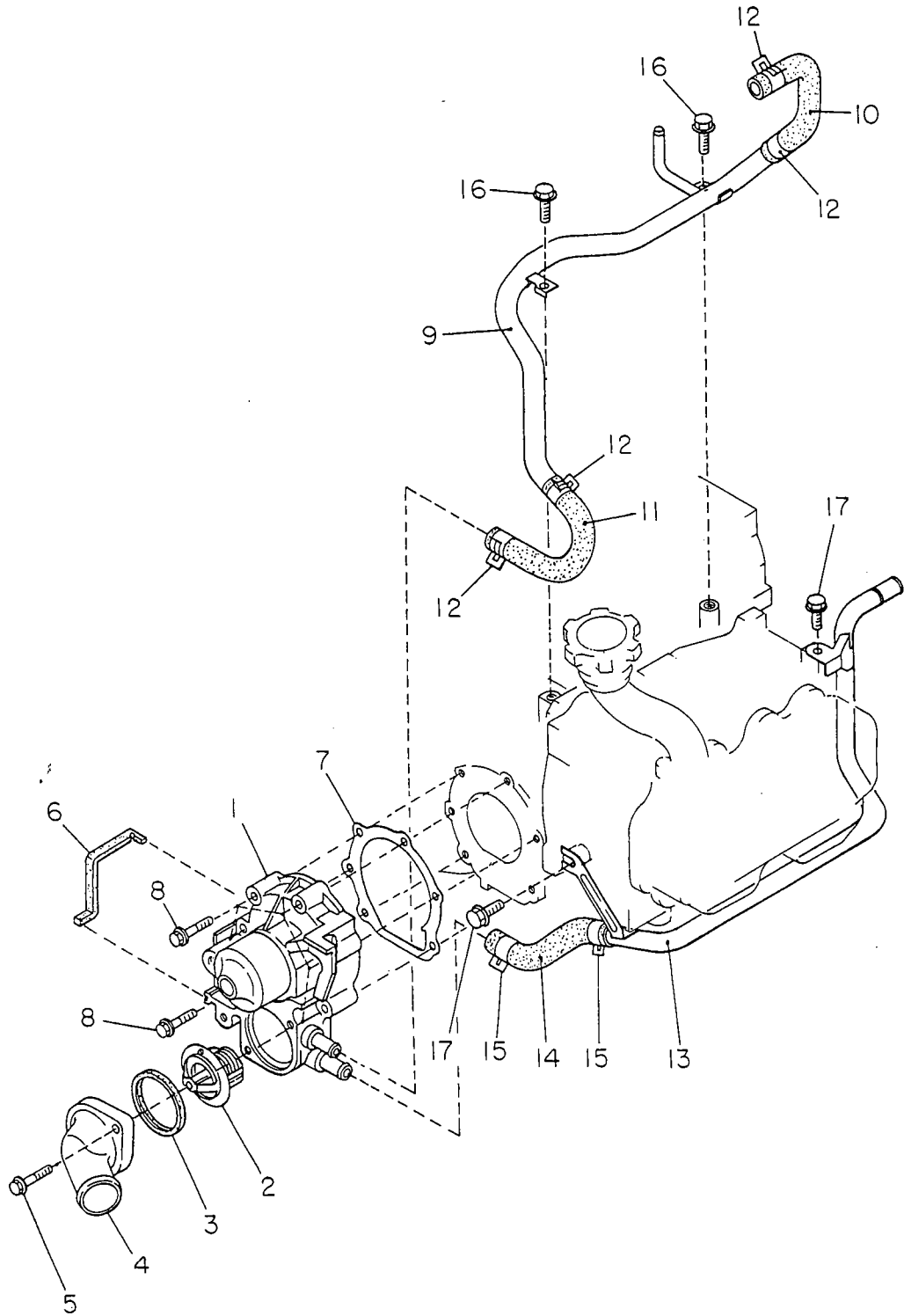
WATER PUMP; NA



ITEM NO.	PART NUMBER	PART NAME	4D			SW			TW		M Y				REMARKS		
			2WD		4WD	2WD		4WD	2	4	9	9	9	9			
			L	L	L	L	L	L	L	L						W	W
1	0104 0610A	FLANGE BOLT	2	2	2	2	2	2	2	2	2	2	2	2	2	2	
2	14065 AA000	PIPE CP-WAT BYPAS	1	1	1	1	1	1	1	1	1	1	1	1	1	1	
3	21114 AA020	GSKT-WATER PUMP	1	1	1	1	1	1	1	1	1	1	1	1	1	1	-9Z
	21114 AA030	GSKT-WATER PUMP	1	1	1	1	1	1	1	1	1	1	1	1	1	1	01-
4	21116 AA010	SEALING-WATER	1	1	1	1	1	1	1	1	1	1	1	1	1	1	
5	21111 AA000	PUMP CP-WATER	1	1	1	1	1	1	1	1	1	1	1	1	1	1	-93
	21111 AA001	PUMP CP-WATER	1	1	1	1	1	1	1	1	1	1	1	1	1	1	94-18
	21111 AA002	PUMP COMPL-WATER	1	1	1	1	1	1	1	1	1	1	1	1	1	1	19- E/#461155-
6	8001 06930	BOLT-6X40X20	6	6	6	6	6	6	6	6	6	6	6	6	6	6	
7	8059 23030	HOSE CLP-23	2	2	2	2	2	2	2	2	2	2	2	2	2	2	-9Z
	8059 20060	HOSE CLP-20	2	2	2	2	2	2	2	2	2	2	2	2	2	2	01-39
	8059 22090	HOSE CLP-22	2	2	2	2	2	2	2	2	2	2	2	2	2	2	3X-
8	8076 15081	HOSE-15X22X50X63	1	1	1	1	1	1	1	1	1	1	1	1	1	1	
9	21200 AA070	THERMO ASSY	1	1	1	1	1	1	1	1	1	1	1	1	1	1	-95
	21200 AA071	THERMO ASSY	1	1	1	1	1	1	1	1	1	1	1	1	1	1	96-
10	21236 AA000	GSKT-THERMO	1	1	1	1	1	1	1	1	1	1	1	1	1	1	-23
	21236 AA010	GSKT-THERMO	1	1	1	1	1	1	1	1	1	1	1	1	1	1	24-
11	11060 AA050	COVER-THERMO	1	1	1	1	1	1	1	1	1	1	1	1	1	1	-2Z
	11060 AA070	COVER-THERMO	1	1	1	1	1	1	1	1	1	1	1	1	1	1	31-
12	0104 0625A	FLANGE BOLT	2	2	2	2	2	2	2	2	2	2	2	2	2	2	-18
	0104 06250	FLG BOLT	2	2	2	2	2	2	2	2	2	2	2	2	2	2	19-

Fig No.
062-2

WATER PUMP; TURBO



ITEM NO.	PART NUMBER	PART NAME	4D						SW						TW		M Y					REMARKS				
			2WD			4WD			2WD			4WD			2	4	W	W	9	9	9		9			
			L	L	T	L	L	T	L	L	T	L	L	T	L	L	T	L	L	0	1		2	3	4	
1	21111 AA021	PUMP CP-WATER	.	.	1	.	.	1	
	21111 AA060	PUMP COMPL-WATER	1	-16
	21111 AA061	PUMP COMPL-WATER	1	1	17-
2	21200 AA071	THERMO ASSY	.	.	1	.	.	1	1	
3	21236 AA000	GSKT-THERMO	.	.	1	.	.	1	1	-23
	21236 AA010	GSKT-THERMO	1	1	24-
4	11060 AA060	COVER-THERMO	.	.	1	.	.	1	1	
5	0104 0625A	FLANGE BOLT	.	.	2	.	.	2	-18
	0104 06250	FLG BOLT	2	2	19-
6	21116 AA010	SEALING-WATER	.	.	1	.	.	1	1	
7	21114 AA030	GSKT-WATER PUMP	.	.	1	.	.	1	1	
8	8001 06930	BOLT-6X40X20	.	.	6	.	.	6	6	
9	14065 AA040	PIPE CP-WAT BYPAS	.	.	1	.	.	1	1	
10	8076 11232	HOSE-11.5X18.5	.	.	1	.	.	1	1	
11	8076 11242	HOSE-11.5X18.5	.	.	1	.	.	1	1	
12	8059 18010	HOSE CLP 18	.	.	4	.	.	4	4	
13	14056 AA001	PIPE CP-HTR HOSE	.	.	1	.	.	1	1	
14	8076 15292	HOSE-15X22	.	.	1	.	.	1	1	
15	8059 20060	HOSE CLAMP-20	.	.	2	.	.	2	2	-39
	8059 22090	HOSE CLP-22	2	2	3X-
16	0104 0610A	FLANGE BOLT	.	.	2	.	.	2	2	
17	0104 0816A	FLANGE BOLT	.	.	2	.	.	2	2	

TURBO CHARGER SYSTEM

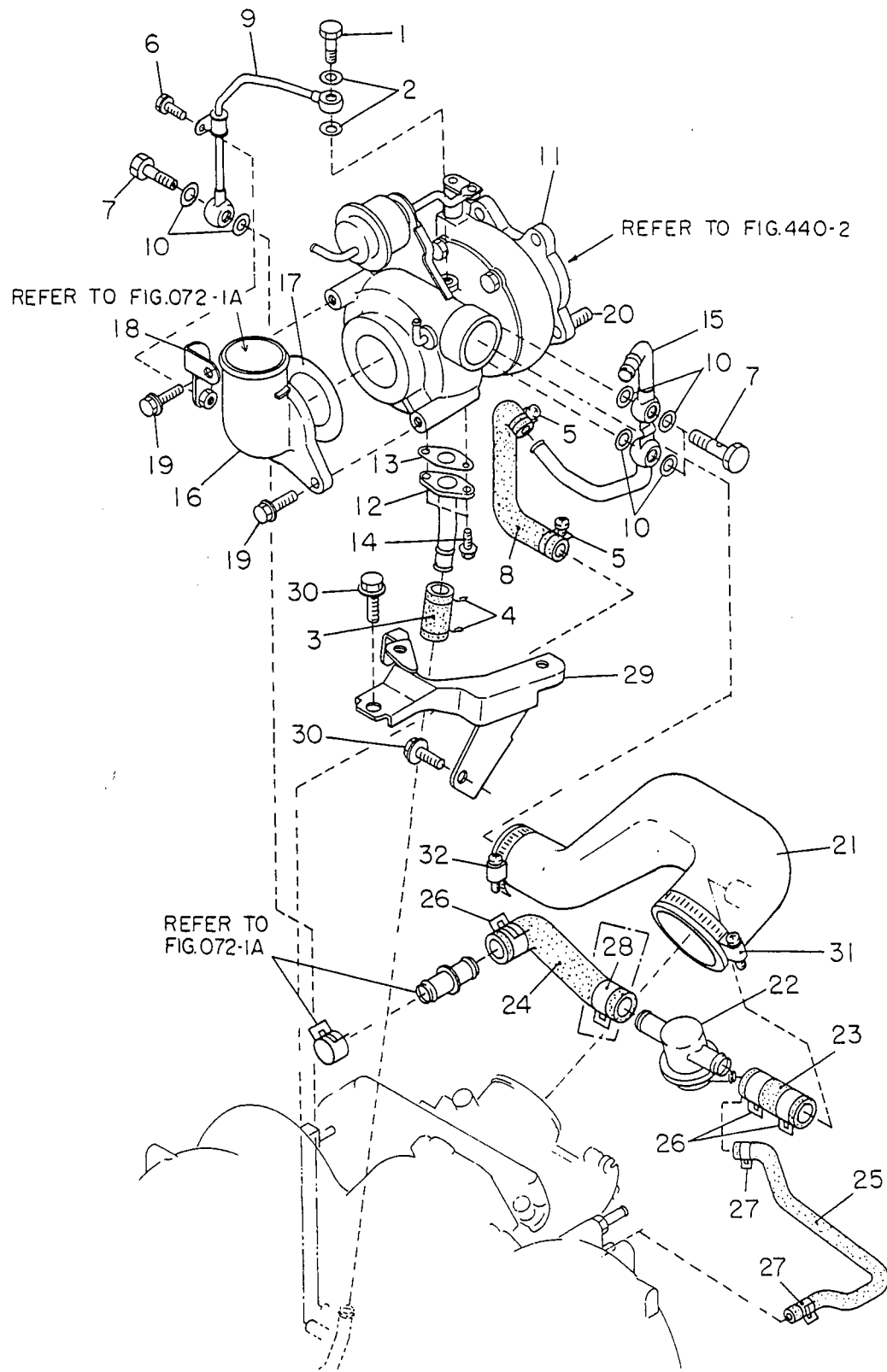
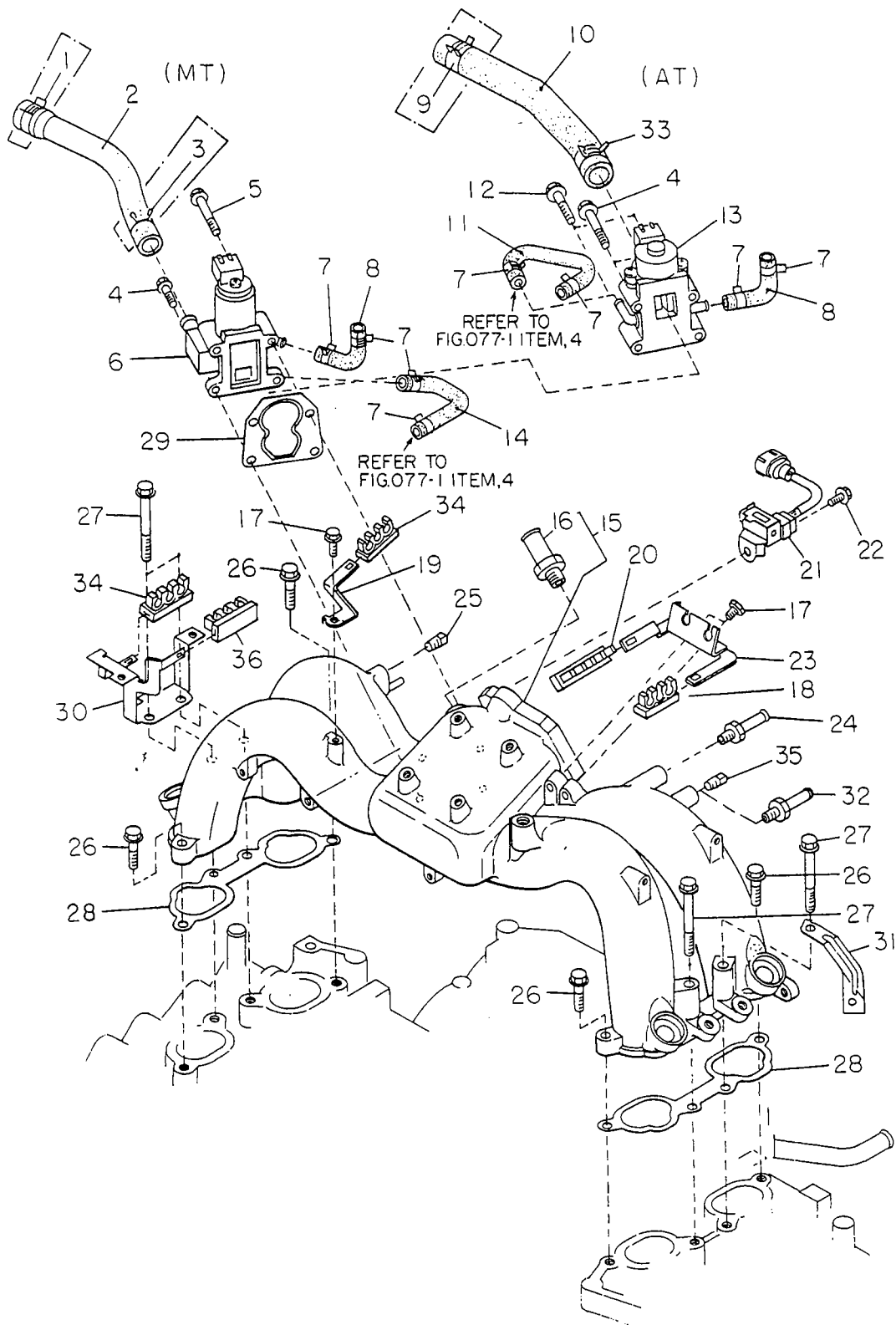


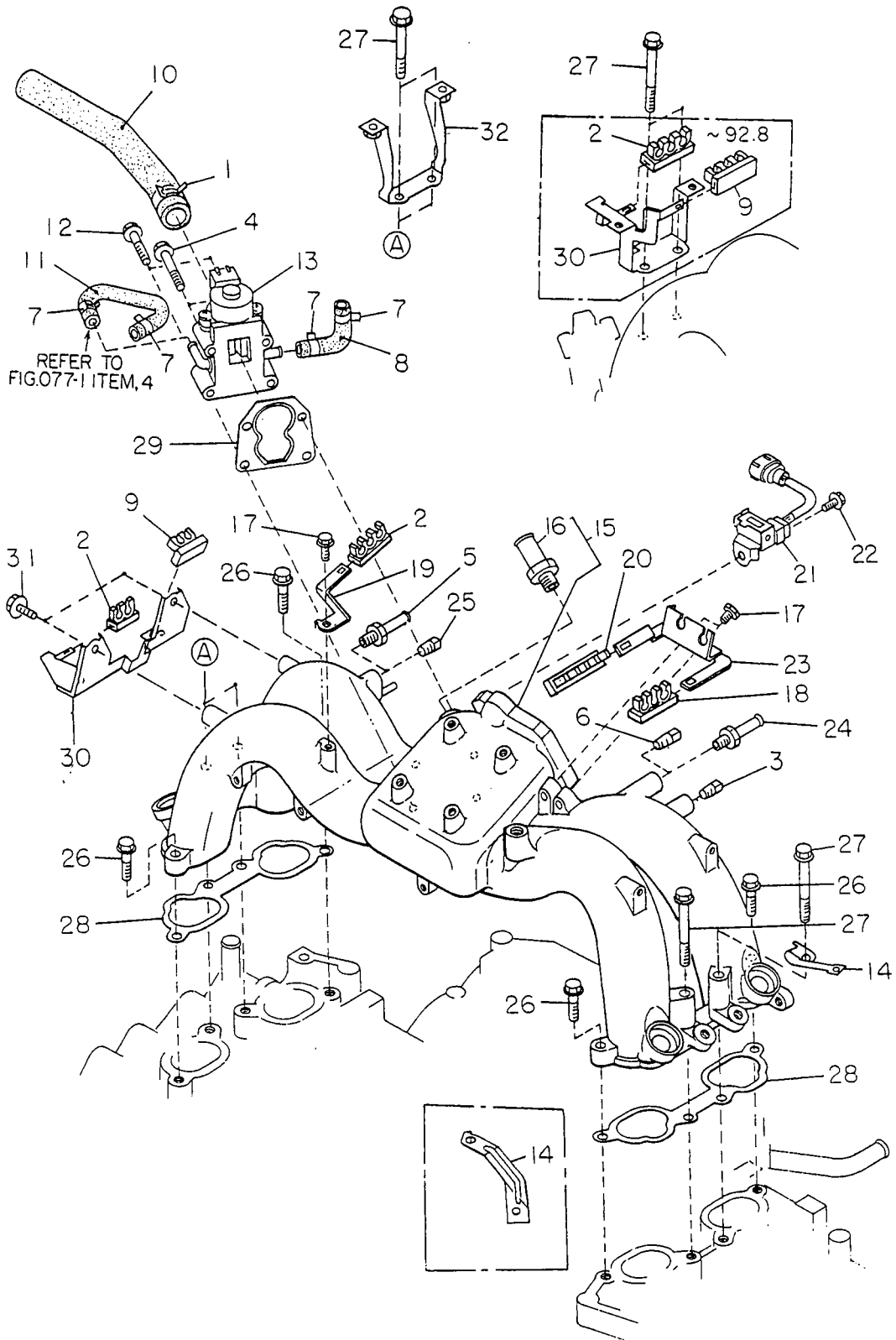
Fig No.
070-1

INTAKE MANIFOLD; NA ('90 & '91MYS)

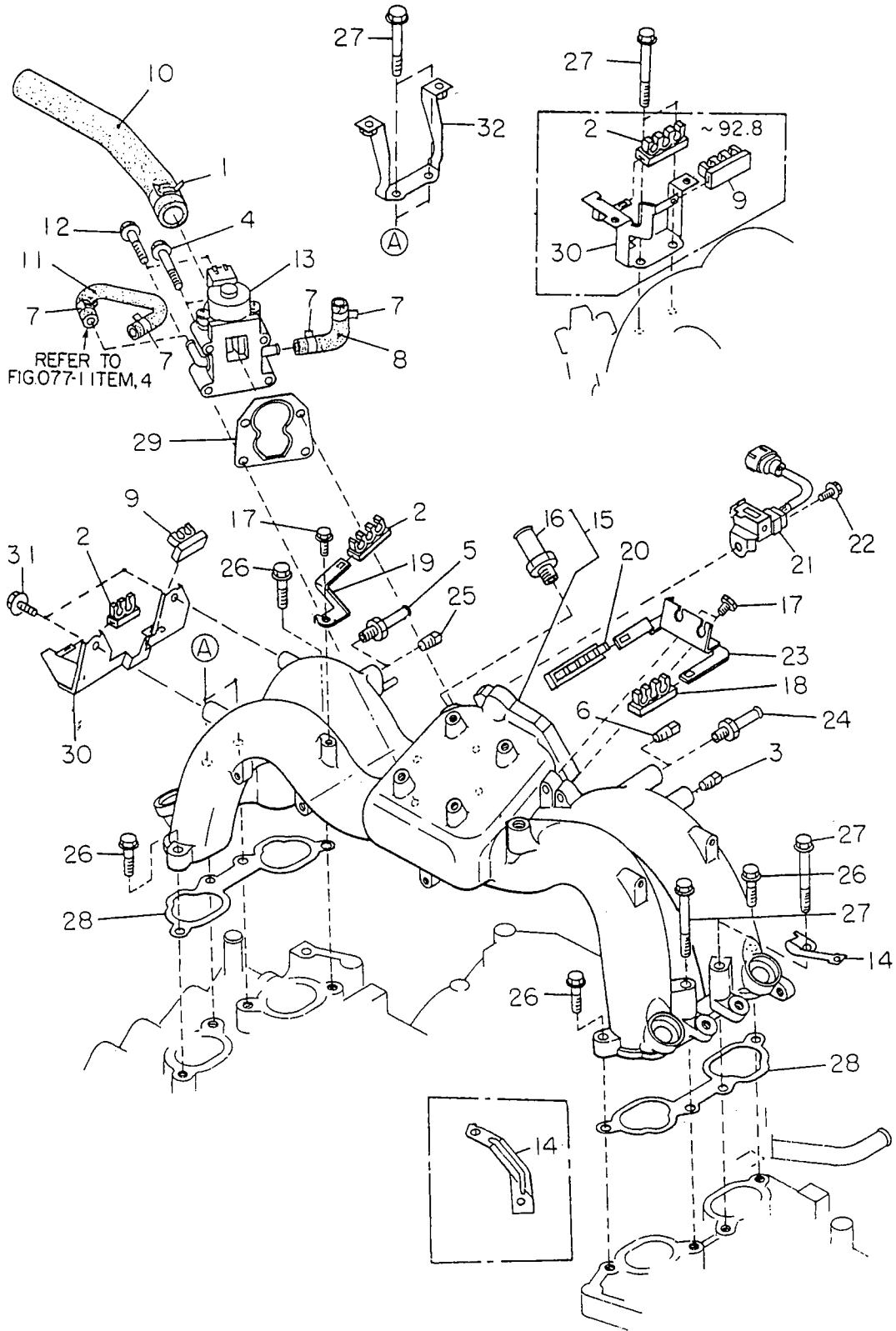


ITEM NO.	PART NUMBER	PART NAME	4D						SW						TW		M Y				REMARKS
			2WD			4WD			2WD			4WD			2	4	9	9	9	9	
			L	L	L	L	L	L	L	L	L	L	L	L	L	L					
1	8059 24040	HOSE CLP-24	1	1	1	1	1	1	1	1	1	1	1	1	1	1	*	*	.	.	-OX MT -E/#298972
2	8075 15962	HOSE-15X22	1	1	1	1	1	1	1	1	1	1	1	1	1	1	*	*	.	.	MT
3	8059 22070	HOSE CLP-22	1	1	1	1	1	1	1	1	1	1	1	1	1	1	*	*	.	.	-OX MT -E/#298972
4	0104 0640C	FLANGE BOLT	2	2	2	2	2	2	2	2	2	2	2	2	2	2	*	*	.	.	
5	8007 06510	FLANGE BOLT	2	2	2	2	2	2	2	2	2	2	2	2	2	2	*	*	.	.	MT
6	22650 AA050	VALVE AY-AIR CONT	1	1	1	1	1	1	1	1	1	1	1	1	1	1	*	*	.	.	MT
7	8059 14140	HOSE CLP-14	4	4	4	4	4	4	4	4	4	4	4	4	4	4	*	*	.	.	
8	8076 07212	HOSE-7.5X14	1	1	1	1	1	1	1	1	1	1	1	1	1	1	*	*	.	.	
9	8059 26040	HOSE CLP-26	1	1	1	1	1	1	1	1	1	1	1	1	1	1	*	*	.	.	-OX AT -E/#298972
10	8075 19112	HOSE-19X27	1	1	1	1	1	1	1	1	1	1	1	1	1	1	*	*	.	.	AT
11	8075 07412	HOSE-7.5X14	1	1	1	1	1	1	1	1	1	1	1	1	1	1	*	*	.	.	AT
12	0104 0632C	FLANGE BOLT	2	2	2	2	2	2	2	2	2	2	2	2	2	2	*	*	.	.	AT
13	22650 AA032	VALVE AY-AIR CONT	1	1	1	1	1	1	1	1	1	1	1	1	1	1	*	*	.	.	AT
14	8076 07202	HOSE-7.5X14	1	1	1	1	1	1	1	1	1	1	1	1	1	1	*	*	.	.	MT
15	14016 AA052	COLL CP-INT MANIF	1	1	1	1	1	1	1	1	1	1	1	1	1	1	*	*	.	.	
16	11810 AA000	VALVE COMPL-CONT	1	1	1	1	1	1	1	1	1	1	1	1	1	1	*	*	.	.	
17	8005 06320	BOLT&WASH AY-6X13X13	3	3	3	3	3	3	3	3	3	3	3	3	3	3	*	*	.	.	
18	22472 AA110	SUPT-HT CABLE	1	1	1	1	1	1	1	1	1	1	1	1	1	1	*	*	.	.	
19	22473 AA241	STAY-HT CBL	1	1	1	1	1	1	1	1	1	1	1	1	1	1	*	*	.	.	
20	22472 AA050	SUPT-HT CABLE	1	1	1	1	1	1	1	1	1	1	1	1	1	1	*	*	.	.	
21	14774 AA350	VALVE AY-SOL	1	1	1	1	1	1	1	1	1	1	1	1	1	1	*	*	.	.	
22	0104 0816G	FLANGE BOLT	1	1	1	1	1	1	1	1	1	1	1	1	1	1	*	*	.	.	
23	18156 AA202	BRKT-ACCEL CABLE	1	1	1	1	1	1	1	1	1	1	1	1	1	1	*	*	.	.	
24	6270 22041	BOLT(V/H JOINT)	1	1	1	1	1	1	1	1	1	1	1	1	1	1	*	*	.	.	
25	15027 AA001	PLUG-1/8	1	1	1	1	1	1	1	1	1	1	1	1	1	1	*	*	.	.	
26	0105 0830D	FLANGE BOLT	4	4	4	4	4	4	4	4	4	4	4	4	4	4	*	*	.	.	
27	0105 0865D	FLANGE BOLT	4	4	4	4	4	4	4	4	4	4	4	4	4	4	*	*	.	.	
28	14035 AA131	GSKT-INT MANIF	2	2	2	2	2	2	2	2	2	2	2	2	2	2	*	*	.	.	-9Y
	14035 AA132	GSKT-INT MANIF	2	2	2	2	2	2	2	2	2	2	2	2	2	2	*	*	.	.	9Z-
29	22659 AA001	GSKT-AIR CONT	1	1	1	1	1	1	1	1	1	1	1	1	1	1	*	*	.	.	-OX
	22659 AA002	GSKT-AIR CONT	1	1	1	1	1	1	1	1	1	1	1	1	1	1	*	*	.	.	
30	22473 AA330	STAY-HT CABLE	1	1	1	1	1	1	1	1	1	1	1	1	1	1	*	*	.	.	
31	26831 AA060	BRKT (PHV CABLE)	1	1	1	1	1	1	1	1	1	1	1	1	1	1	*	*	.	.	MT
32	22314 AA160	CONN-VAC HOSE	*	*	.	.	
33	8059 26040	HOSE CLP-26	1	1	1	1	1	1	1	1	1	1	1	1	1	1	*	*	.	.	AT
34	22472 AA110	SUPT-HT CABLE	2	2	2	2	2	2	2	2	2	2	2	2	2	2	*	*	.	.	3 POINT CLAMP TYPE
35	15027 AA001	PLUG 1/8	1	1	1	1	1	1	1	1	1	1	1	1	1	1	*	*	.	.	
36	22472 AA110	SUPT-HT CABLE	1	1	1	1	1	1	1	1	1	1	1	1	1	1	*	*	.	.	3 POINT CLAMP TYPE

INTAKE MANIFOLD; NA ('92 - '94MYS)

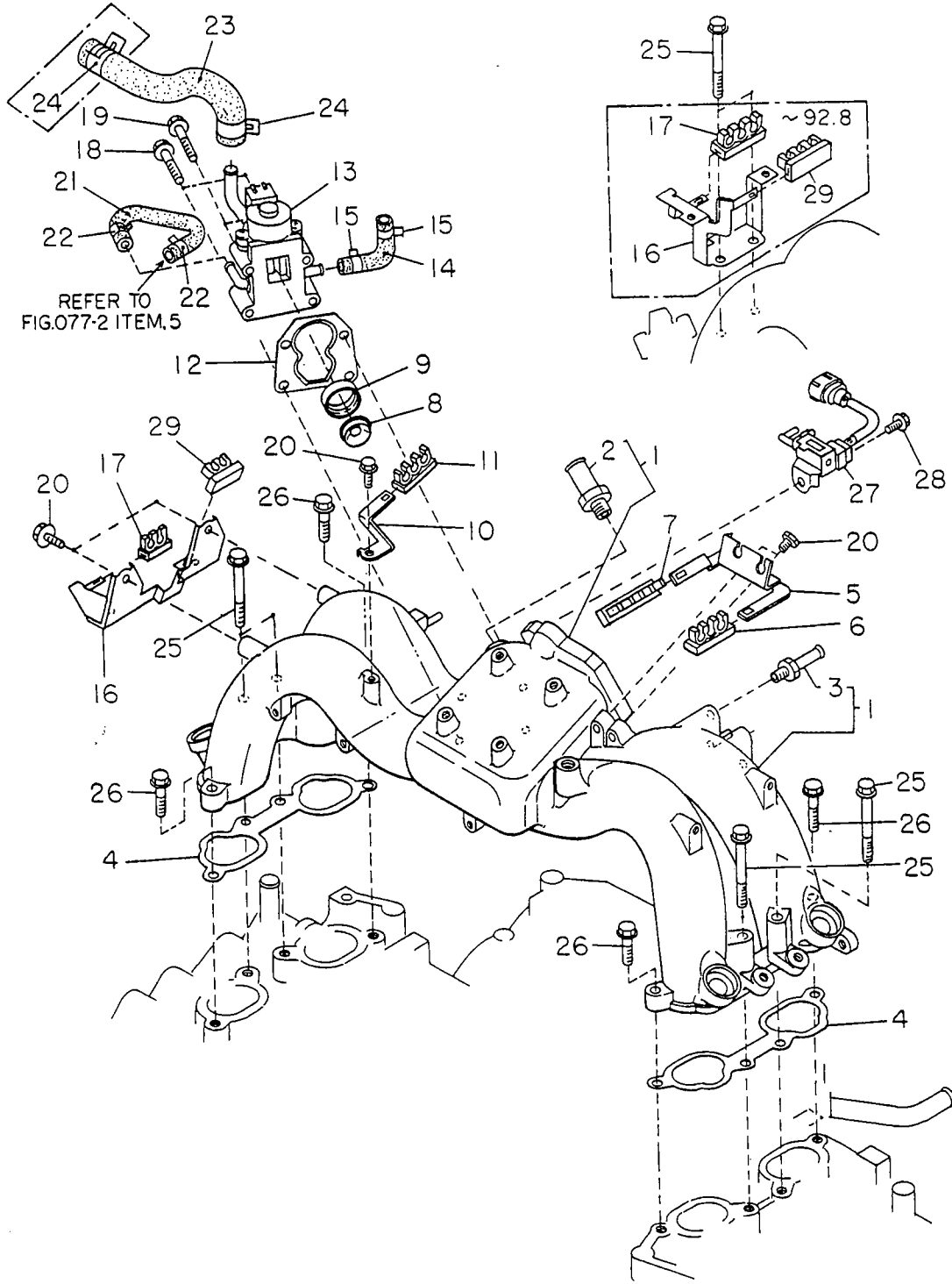


INTAKE MANIFOLD; NA ('92 - '94MYS)



ITEM NO.	PART NUMBER	PART NAME	4D						SW						TW		M Y				REMARKS					
			2WD			4WD			2WD			4WD			2W	4W	9	9	9	9						
			L	S	TURBO	L	S	TURBO	L	S	TURBO	L	S	TURBO	L	L										
29	22659 AA002	GSKT-AIR CONT	.	1	.	1	.	.	.	1	.	1	.	.	.	1	*	*	*	.	-37
	22659 AA060	GSKT-AIR CONT	.	1	.	1	.	.	.	1	.	1	.	.	.	1	*	.	38-
30	22473 AA330	STAY-HT CABLE	.	1	.	1	.	.	.	1	.	1	.	.	.	1	*	*	.	.	-28
	22473 AA621	STAY-HT CABLE	.	1	.	1	.	.	.	1	.	1	.	.	.	1	*	*	*	.	29-37
	22473 AA622	STAY-HT CABLE	.	1	.	1	.	.	.	1	.	1	.	.	.	1	*	.	38-
31	8005 06350	BOLT&WASH AY-6X13X13	.	2	.	2	.	.	.	2	.	2	.	.	.	2	*	*	*	.	29-
32	14175 AA000	STAY-P/S PIPE	.	1	.	1	.	.	.	1	.	1	.	.	.	1	*	.	38-

INTAKE MANIFOLD; TURBO



ITEM NO.	PART NUMBER	PART NAME	4D						SW						TW		M Y				REMARKS
			2WD			4WD			2WD			4WD			2	4	9	9	9	9	
			L	L	L	T	L	T	L	L	L	L	L	T	L	L					
1	14016 AA090	COLL CP-INT MANIF	.	.	1	.	.	1	.	.	1	.	.	1	-28
	14016 AA200	COLL CP-INT MANIF	1	1	29-
2	11810 AA000	VALVE COMPL-CONT	.	.	1	.	.	1	1	
3	6270 22041	BOLT(V/H JOINT)	.	.	1	.	.	1	1	
4	14035 AA131	GSKT-INT MANIF	.	.	2	.	.	2	-0X
	14035 AA132	GSKT-INT MANIF	.	.	2	.	.	2	2	0Y-1Z
	14035 AA210	GSKT-INT MANIF	2	2	21-28
	14035 AA132	GSKT-INT MANIF	2	2	29-32
	14035 AA290	GSKT-INT MANIF	2	2	33-
5	18156 AA202	BRKT-ACCEL CABLE	.	.	1	.	.	1	1	
6	22472 AA110	SUPT-HT CABLE	.	.	1	.	.	1	1	
7	22472 AA050	SUPT-HT CABLE	.	.	1	.	.	1	1	
8	22657 AA010	VLV AY-AIR CONT NO.2	.	.	1	.	.	1	1	
9	22660 AA000	SLNG-AIR CONT VLV	.	.	1	.	.	1	1	
10	22473 AA241	STAY-HT CABLE	.	.	1	.	.	1	1	
11	22472 AA110	SUPT-HT CABLE	.	.	1	.	.	1	-16 3 POINT CLAMP TYPE
	22472 AA040	SUPT-HT CABLE	1	1	16- 2 POINT CLAMP TYPE
12	22659 AA002	GSKT-AIR CONT	.	.	1	.	.	1	1	-37
	22659 AA060	GSKT-AIR CONT	1	1	38-
13	22650 AA110	VALVE AY-AIR CONT	.	.	1	.	.	1	1	-33
	22650 AA111	VLV AY-AIR CONT	1	1	34-
14	8076 07212	HOSE-7.5X14	.	.	1	.	.	1	1	
15	8059 14140	HOSE CLP-14	.	.	2	.	.	2	2	
	0923 13102	HOSE CLP-14	2	2	
16	22473 AA330	STAY-HT CABLE	.	.	1	.	.	1	1	-28
	22473 AA621	STAY-HT CABLE	1	1	29-
17	22472 AA110	SUPT-HT CABLE	.	.	1	.	.	1	-16 3 POINT CLAMP TYPE
	22472 AA040	SUPT-HT CABLE	1	1	16- 2 POINT CLAMP TYPE
18	0104 0640C	FLANGE BOLT	.	.	2	.	.	2	2	
19	0104 0632C	FLANGE BOLT	.	.	2	.	.	2	2	
20	8005 06320	BOLT&WASH AY-6X13X13	.	.	3	.	.	3	3	-28
	8005 06350	B & W AY-6X13X13	5	5	29-
21	8075 07412	HOSE-7.5X14	.	.	1	.	.	1	1	
22	8059 14140	HOSE CLP-14	.	.	2	.	.	2	2	
	0923 13102	HOSE CLP-14	2	2	
23	8075 19202	HOSE-19X27	.	.	1	.	.	1	1	
24	8059 26040	HOSE CLP-26	.	.	2	.	.	2	-0X -E/#298972
	8059 26040	HOSE CLP-26	.	.	1	.	.	1	1	0Y- E/#298973-
25	0105 0865D	FLANGE BOLT	.	.	4	.	.	4	4	-28
	0105 0835A	FLANGE BOLT	4	4	29-
26	0105 0830D	FLANGE BOLT	.	.	4	.	.	4	4	-28
	0105 0835A	FLANGE BOLT	4	4	29-
27	14774 AA350	VALVE AY-SOL	.	.	1	.	.	1	1	-41
	14774 AA351	VLV ASSY-SOL	1	1	42-
28	0104 0816G	FLANGE BOLT	.	.	1	.	.	1	1	

INTAKE MANIFOLD; TURBO

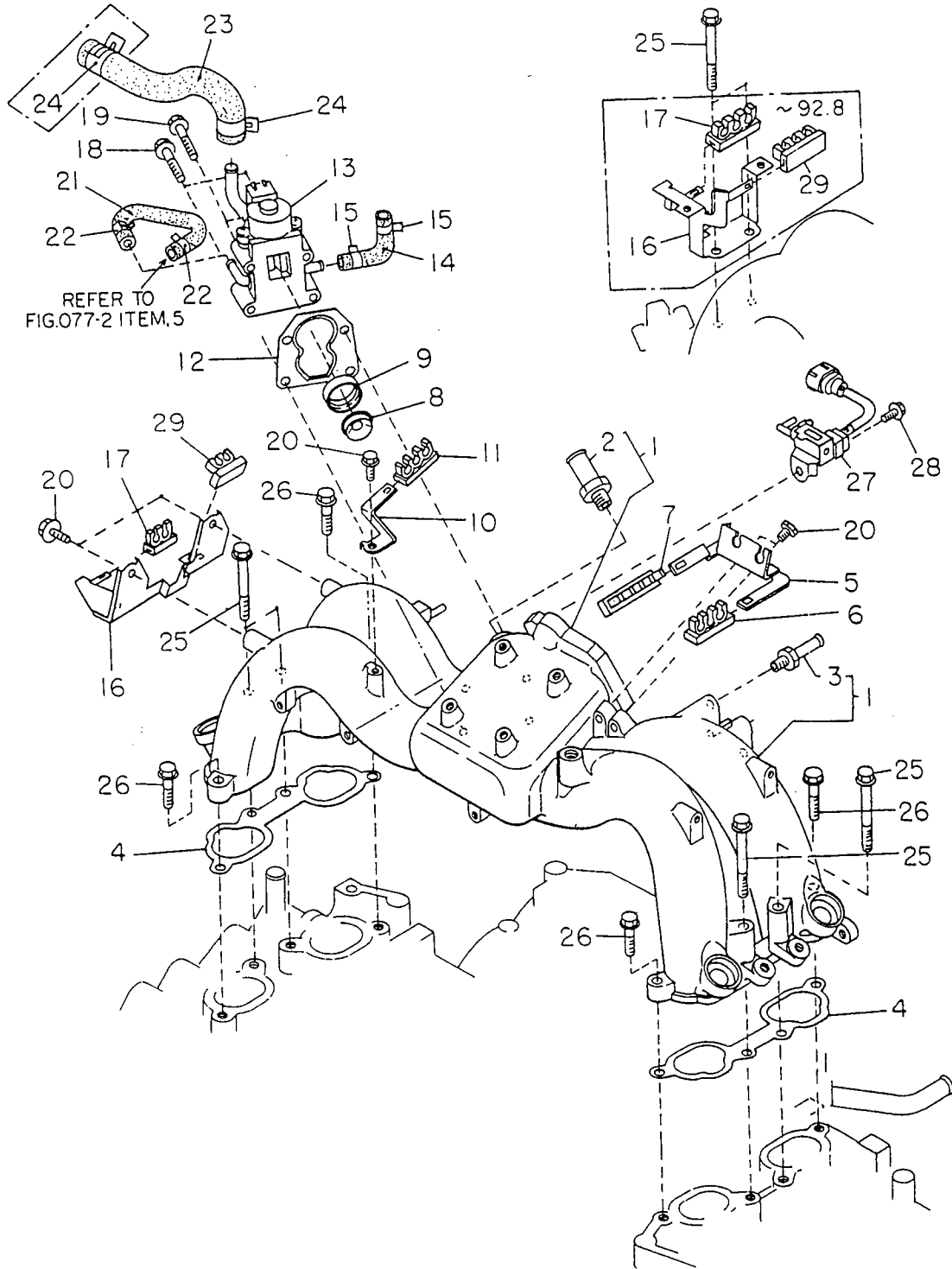
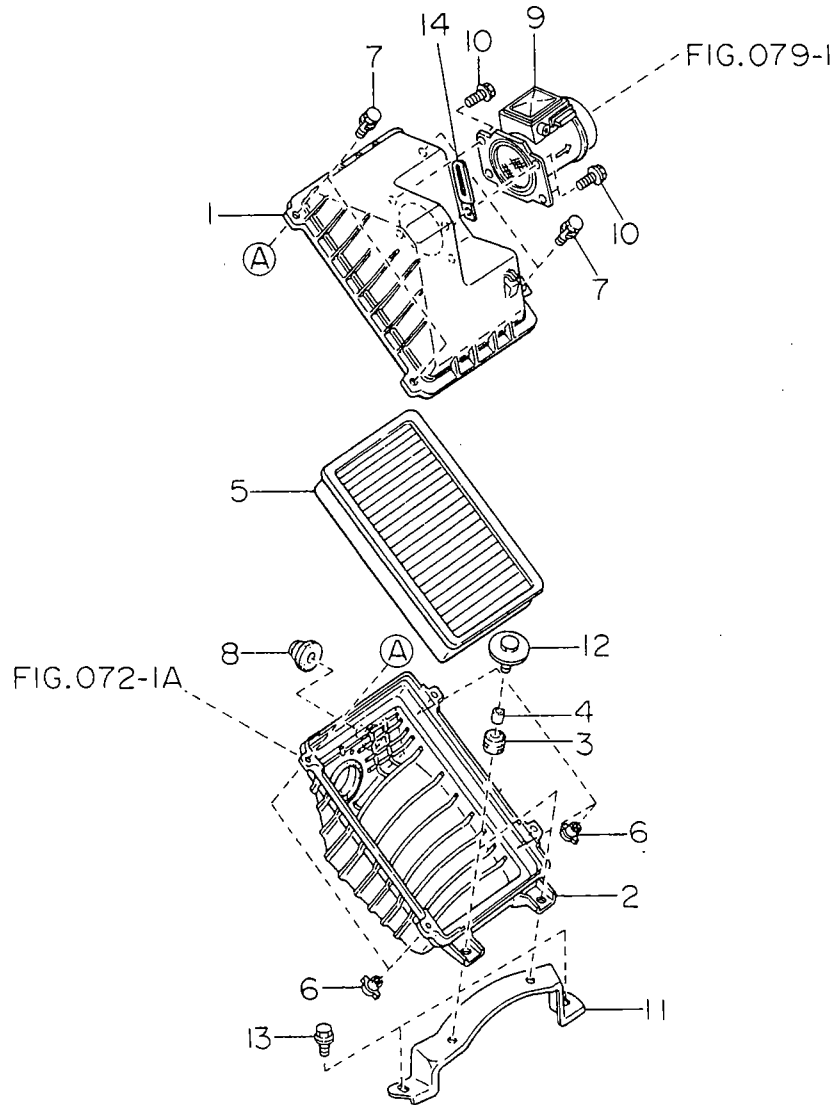


Fig No.
071-2A

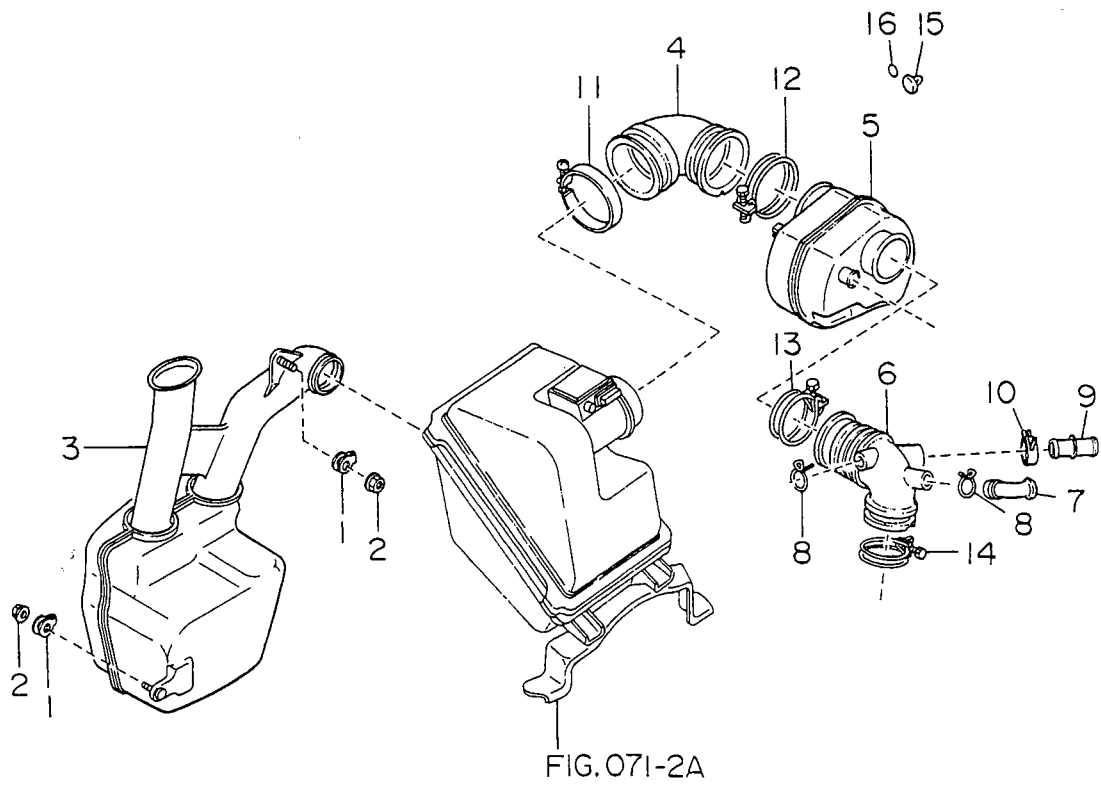
AIR CLEANER



ITEM NO.	PART NUMBER	PART NAME	4D						SW						TW		M Y				REMARKS							
			2WD			4WD			2WD			4WD			2W	4W	9	9	9	9								
			L	S	TURBO	L	S	TURBO	L	S	TURBO	L	S	TURBO	L	S	TURBO	L	L	0		1	2	3	4			
1	46053 AA080	CASE COMPL UPP	1	1	1	1	1	1	1	1	1	1	1	1	1	1	1	1	1	1	1	*	*	*	*	*	*	
2	46053 AA090	CASE COMPL LWR	1	1	1	1	1	1	1	1	1	1	1	1	1	1	1	1	1	1	1	*	*	*	*	*	*	
3	46060 AA000	CUSHION AIR CLEAN	2	2	2	2	2	2	2	2	2	2	2	2	2	2	2	2	2	2	2	*	*	*	*	*	*	
	46060 AA001	CUSHION AIR CLEAN	.	2	2	.	2	2	2	.	2	2	.	2	2	.	2	2	2	2	*	*	*	*	*	*		
4	46061 AA000	SPACER	2	2	2	2	2	2	2	2	2	2	2	2	2	2	2	2	2	2	2	*	*	*	*	*	*	
	46061 AA001	SPACER	.	2	2	.	2	2	2	.	2	2	.	2	2	.	2	2	2	2	*	*	*	*	*	*		
5	16546 AA020	ELEMENT-AIR CLNR	1	1	1	1	1	1	1	1	1	1	1	1	1	1	1	1	1	1	1	*	*	*	*	*	*	
6	46058 AA000	T-NUT	4	4	4	4	4	4	4	4	4	4	4	4	4	4	4	4	4	4	4	*	*	*	*	*	*	
7	90112 0052	BOLT ASSY	4	4	4	4	4	4	4	4	4	4	4	4	4	4	4	4	4	4	4	*	*	*	*	*	*	
8	46060 AA010	CUSHION AIR CLEANS D	1	1	1	1	1	1	1	1	1	1	1	1	1	1	1	1	1	1	1	*	*	*	*	*	*	
9	22680 AA160	METER AY-AIR FLOW	1	1	1	.	1	1	.	1	1	1	1	1	1	1	.	1	1	1	1	*	*	*	*	*	*	AT
	22680 AA160	METER AY-AIR FLOW	.	1	.	.	1	.	.	.	1	1	.	1	.	.	1	*	*	*	*	*	*	NA
	22680 AA170	METER AY-AIR FLOW	1	1	1	1	1	1	1	1	1	1	1	1	1	1	.	1	1	1	1	*	*	*	*	*	*	MT & TURBO
	22680 AA170	METER AY-AIR FLOW	1	1	*	*	*	*	*	*	TURBO
10	0100 06206	FLANGE BOLT	4	4	4	4	4	4	4	4	4	4	4	4	4	4	4	4	4	4	4	*	*	*	*	*	*	
11	46031 AA010	BRACKET AIR CLEANER	1	1	1	1	1	1	1	1	1	1	1	1	1	1	1	1	1	1	1	*	*	*	*	*	*	
12	90112 0059	BOLT ASSY	2	2	2	2	2	2	2	2	2	2	2	2	2	2	2	2	2	2	2	*	*	*	*	*	*	
13	0101 08206	FLANGE BOLT	2	2	2	2	2	2	2	2	2	2	2	2	2	2	2	2	2	2	2	*	*	*	*	*	*	
14	90910 0009	CLIP COATING	.	.	.	1	.	.	.	1	1	*	*	*	*	*	*	

Fig No.
072-1A

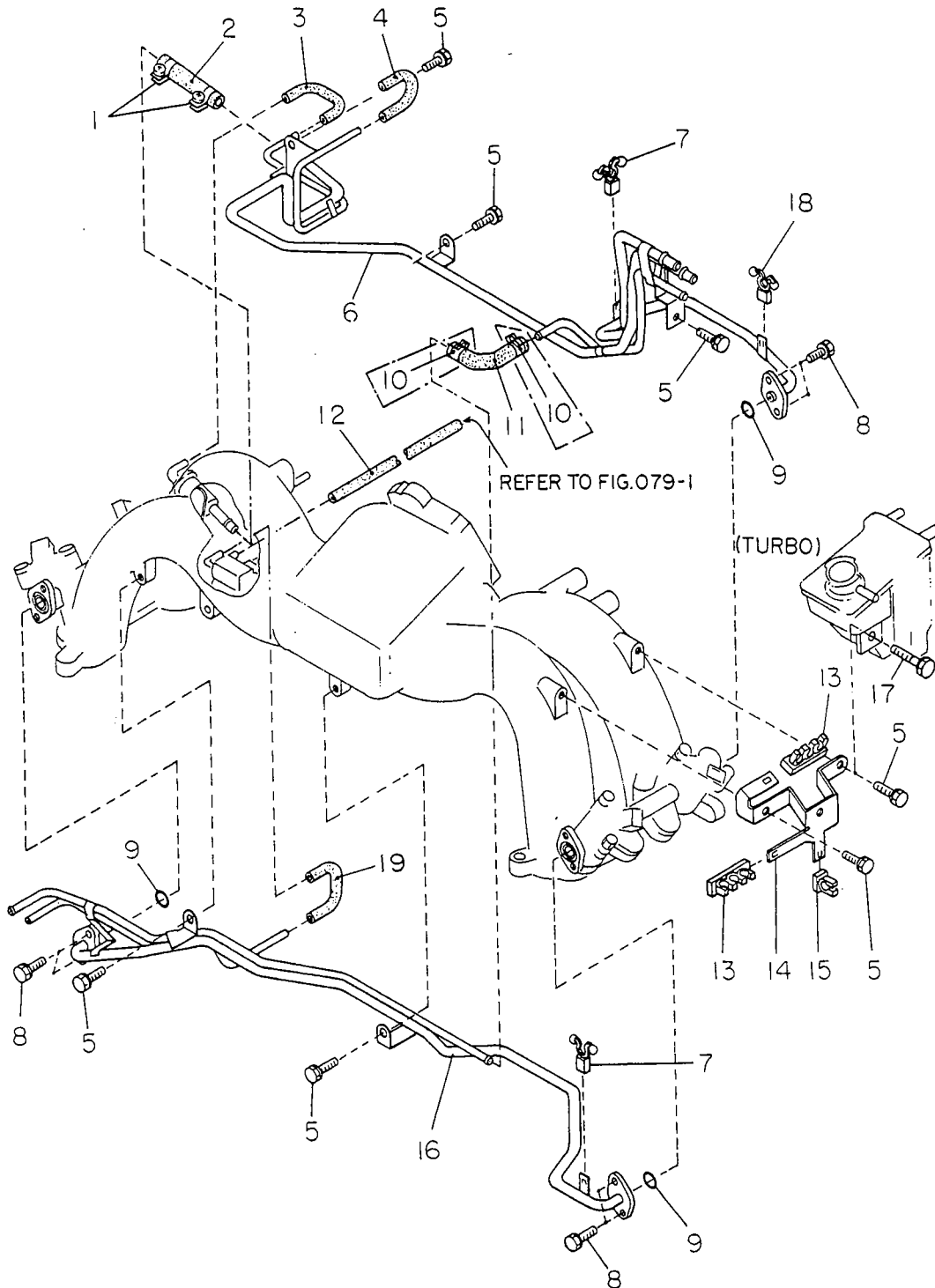
AIR DUCT



ITEM NO.	PART NUMBER	PART NAME	4D			SW			TW		M Y				REMARKS						
			2WD		4WD	2WD		4WD	2W	4W	9	9	9	9							
			L	S	TURBO	L	S	TURBO	L	S						TURBO	L	L			
1	46060 GA010	CUSHION CHAMBER F	2	2	2	2	2	2	2	2	2	2	2	2	2	*	*	*	*	*	
2	90260 0009	NUT CON SP WASHER	2	2	2	2	2	2	2	2	2	2	2	2	2	2	*	*	*	*	*
3	46032 AA030	CHAMBER ASSY	1	1	1	1	1	1	1	1	1	1	1	1	1	1	*	*	*	*	*
	46032 AA030	CHAMBER ASSY	1	*
	46032 AA150	CHAMBER ASSY	.	1	1	.	1	1	.	.	1	1	.	1	.	1	*
	46032 AA110	CHAMBER ASSY	.	.	.	1	.	.	1	1	*
4	46023 AA020	BOOT A	.	.	.	1	.	.	1	*
5	46032 AA140	RESONATOR B	.	.	.	1	.	.	1	*
6	46023 AA110	BOOT B	.	.	.	1	.	.	1	*
7	11821 AA000	CONNECTOR-PCV	.	.	.	1	.	.	1	*
	11821 AA330	CONNECTOR-PCV	1	*
8	8059 19080	HOSE CLAMP-19	.	.	.	2	.	.	2	2	*
9	22683 AA010	CONN-AIR CONT	.	.	.	1	.	.	1	1	*
10	8059 26040	HOSE CLAMP-26	.	.	.	1	.	.	1	1	*
11	8059 91010	HOSE CLAMP-91	.	.	.	1	.	.	1	*
	8059 84020	HOSE CLAMP-84	1	1	*
12	8059 84020	HOSE CLAMP-84	.	.	.	1	.	.	1	1	*
13	7460 56061	HOSE CLAMP-78	.	.	.	1	.	.	1	1	*
14	46056 AA000	HOSE CLAMP-62	.	.	.	1	.	.	1	1	*
15	6930 05690	CLIP	1	1	1	1	1	1	1	1	1	1	1	1	1	1	1	.	.	.	*
16	90923 0010	GROMMET SHEET	1	1	1	1	1	1	1	1	1	1	1	1	1	1	1	1	.	.	*
	90925 0002	GROMMET SHEET	1	1	1	1	1	1	1	1	1	1	1	1	1	1	1	1	.	.	*

Fig No.
074-1

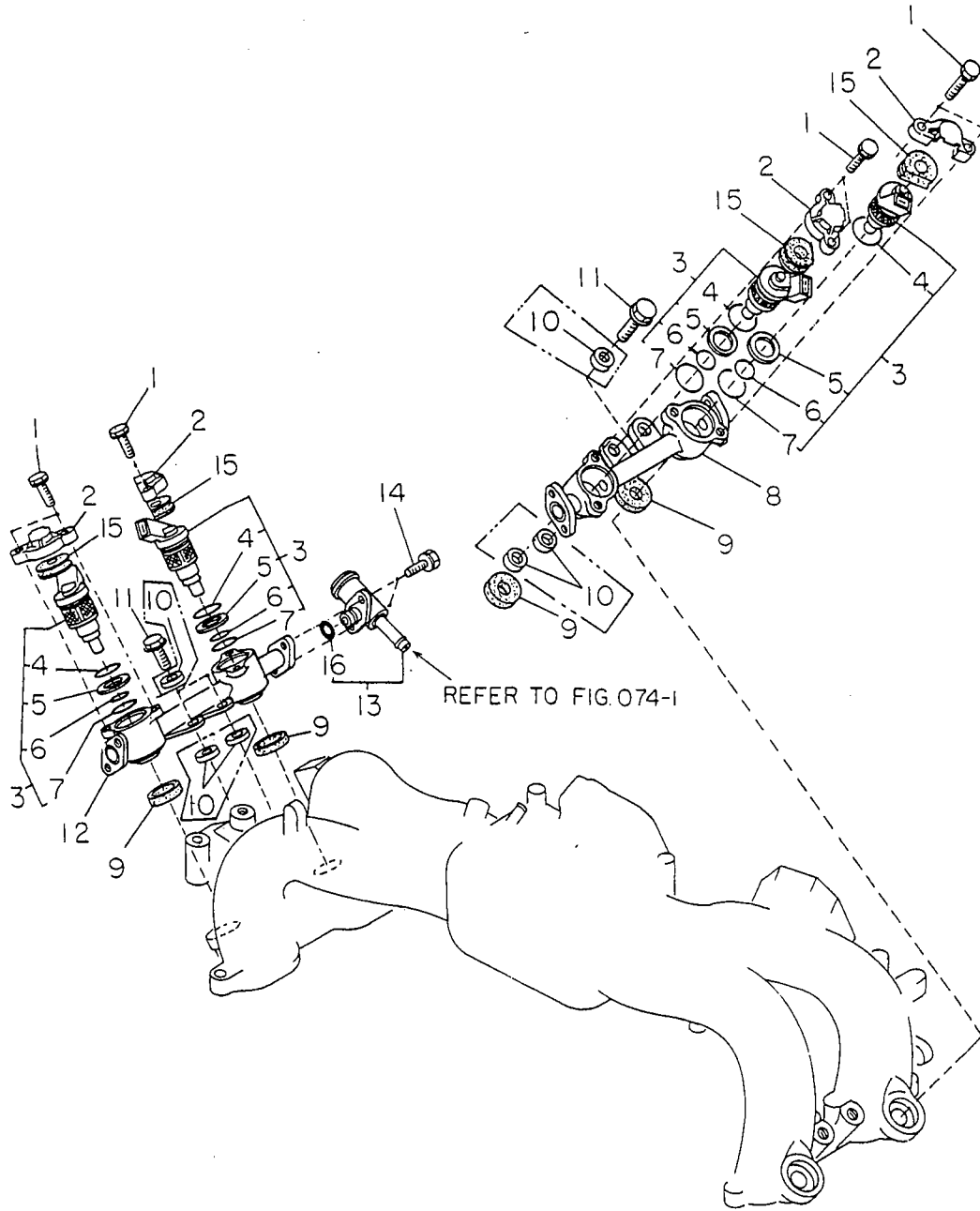
FUEL PIPE SYSTEM



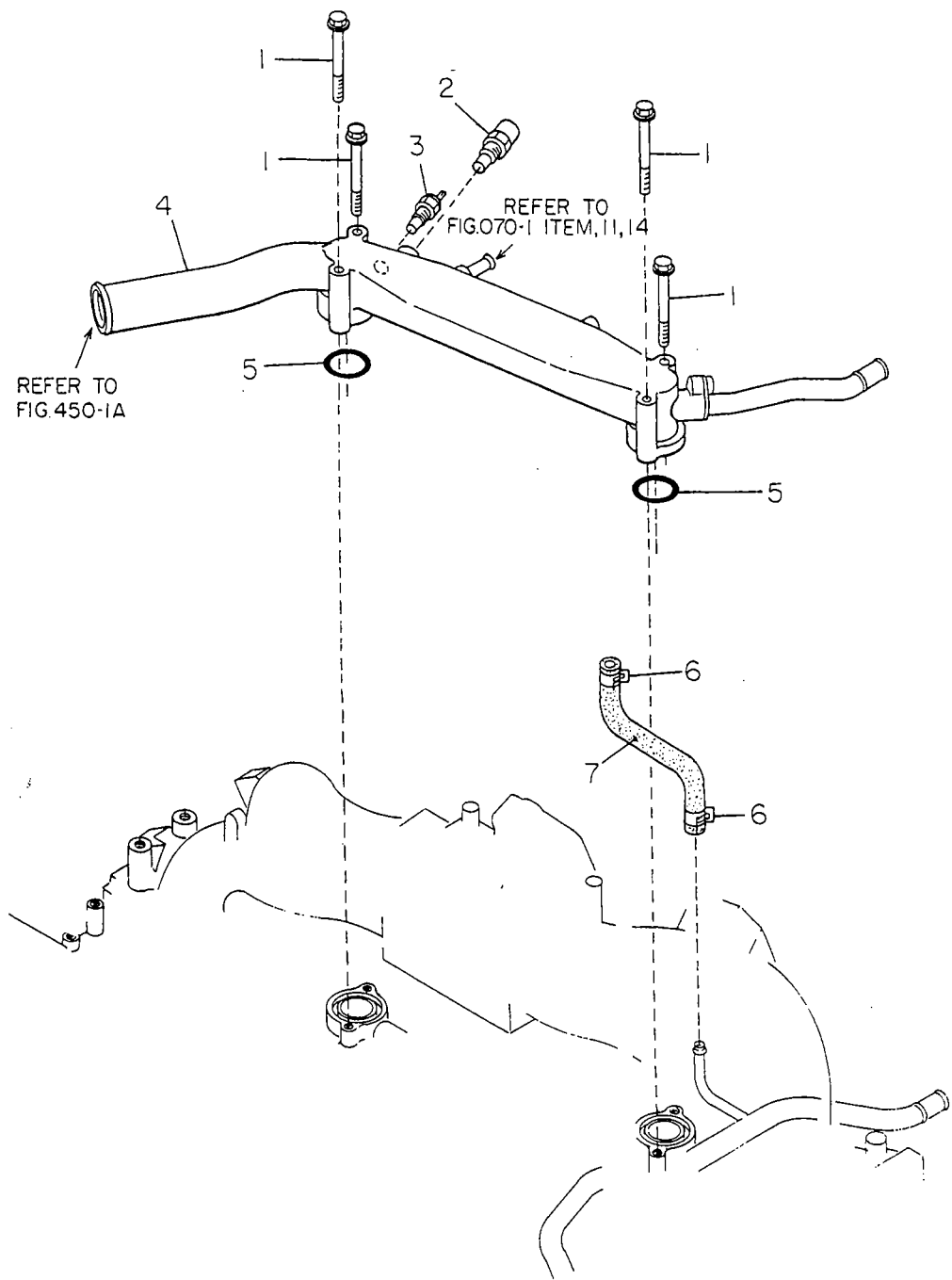
ITEM NO.	PART NUMBER	PART NAME	4D						SW						TW		M Y				REMARKS								
			2WD			4WD			2WD			4WD			2	4	9	9	9	9									
			L	L	T	L	L	T	L	L	T	L	L	T	L	L													
S	S	URB	S	S	URB	S	S	URB	S	S	URB	ARH	W	0	1	2	3	4											
1	8059 13050	HOSE CLP-13.5	2	2	2	2	2	2	2	2	2	2	2	2	2	2	2	2	2	2	2	*	*	*	*	*	*		
2	8077 07130	HOSE-7.5X13.5X64	1	1	1	1	1	1	1	1	1	1	1	1	1	1	1	1	1	1	1	1	*	*	*	*	*	*	
3	8075 03172	HOSE-3.5X7.5	1	1	1	1	1	1	1	1	1	1	1	1	1	1	1	1	1	1	1	1	*	*	*	*	*	*	
4	8075 03182	HOSE-3.5X7.5	1	1	1	1	1	1	1	1	1	1	1	1	1	1	1	1	1	1	1	1	*	*	*	*	*	*	
5	8005 06320	BOLT&WASH AY-6X13X13	7	7	7	7	6	7	7	7	6	7	7	7	7	7	6	7	7	7	7	7	*	*	*	*	*	*	-22
	8005 06350	B & W AY-6X13X13	.	7	7	.	7	7	.	6	.	7	7	.	7	7	.	6	7	.	7	*	31-	
6	17540 AA010	PIPE AY-FUEL DLVY	1	1	1	1	1	1	1	1	1	1	1	1	1	1	1	1	1	1	1	1	*	*	-28
	17540 AA060	PIPE AY-FUEL DLVY	.	1	1	.	1	1	.	1	.	1	1	.	1	1	.	1	1	.	1	*	*	-28	
	17540 AA061	PIPE AY-FUEL DLVY	.	1	1	.	1	1	.	1	.	1	1	.	1	1	.	1	1	.	1	*	*	29-	
7	24027 AA010	SUPT-8	2	2	2	2	2	2	2	2	2	2	2	2	2	2	2	2	2	2	2	2	*	*	*	*	*	*	
8	0116 0514A	BOLT&WASH AY	6	6	6	6	6	6	6	6	6	6	6	6	6	6	6	6	6	6	6	6	*	*	*	*	*	*	
9	17595 AA000	O RING-FUEL PIPE	3	3	3	3	3	3	3	3	3	3	3	3	3	3	3	3	3	3	3	3	*	*	*	*	*	*	
10	0923 11504	HOSE CLP-11.5	2	2	2	2	2	2	2	2	2	2	2	2	2	2	2	2	2	2	2	2	*	*	*	*	*	*	-17
11	8075 06081	HOSE-6X12	1	1	1	1	1	1	1	1	1	1	1	1	1	1	1	1	1	1	1	1	*	*	*	*	*	*	
12	8075 03400	HOSE-3.5X7.5X280	1	1	1	1	1	1	1	1	1	1	1	1	1	1	1	1	1	1	1	1	*	*	*	*	*	*	
13	22472 AA110	SUPT-HT CABLE	2	2	2	2	2	2	2	2	2	2	2	2	2	2	2	2	2	2	2	2	*	*	*	*	.	.	-16 3 POINT CLAMP TYPE
	22472 AA040	SUPT-HT CABLE	.	2	2	.	2	2	.	2	.	2	2	.	2	2	.	2	2	.	2	*	*	16- 2 POINT CLAMP TYPE	
14	17527 AA042	STAY-FUEL HOSE	1	1	1	1	1	1	1	1	1	1	1	1	1	1	1	1	1	1	1	1	*	*	*	*	*	*	
15	22472 AA030	SUPT-HT CABLE	1	1	1	1	1	1	1	1	1	1	1	1	1	1	1	1	1	1	1	1	*	*	*	*	*	*	
16	17543 AA010	PIPE AY-FUEL RET	1	1	1	1	1	1	1	1	1	1	1	1	1	1	1	1	1	1	1	1	*	*	
	17543 AA091	PIPE AY-FUEL RET	.	1	1	.	1	1	.	1	.	1	1	.	1	1	.	1	1	.	1	*	*		
17	0104 0616A	FLANGE BOLT	.	.	.	1	.	.	.	1	1	*	*	
18	24027 AA010	SUPT-8	1	1	1	1	1	1	1	1	1	1	1	1	1	1	1	1	1	1	1	1	*	*	
	24027 AA010	SUPT-8	.	1	1	.	1	1	.	1	.	1	1	.	1	1	.	1	1	.	1	*	*		
19	8075 03172	HOSE-3.5X7.5	1	1	1	1	1	1	1	1	1	1	1	1	1	1	1	1	1	1	1	1	*	*	*	*	*	*	-37
	8075 03340	HOSE-3.5X7.5X95	.	1	1	.	1	1	.	1	.	1	1	.	1	1	.	1	1	.	1	*	*	38-	

Fig No.
076-1

FUEL INJECTOR

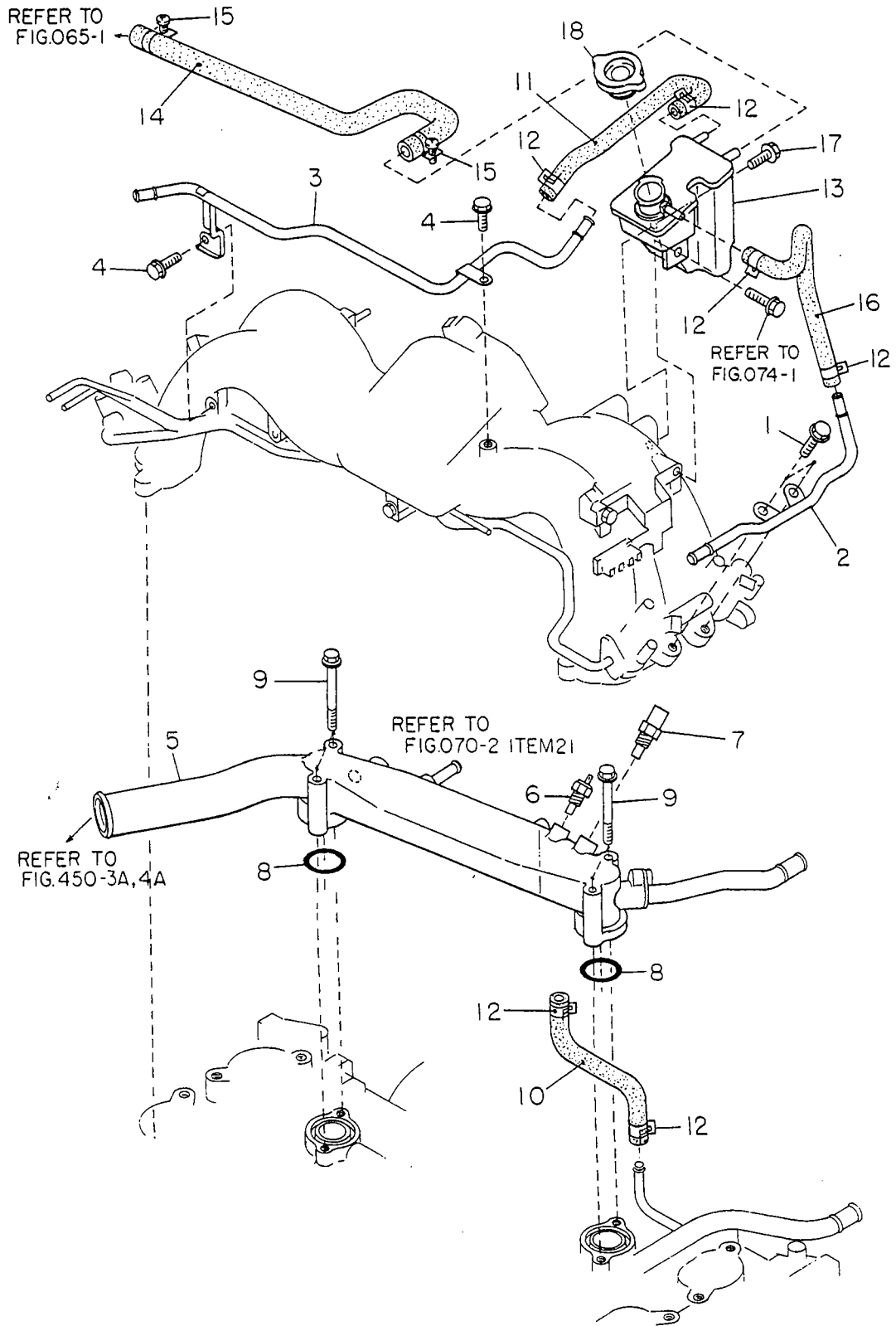


ITEM NO.	PART NUMBER	PART NAME	4D						SW						TW		M Y				REMARKS			
			2WD			4WD			2WD			4WD			2	4	9	9	9	9				
			L	L	L	L	L	L	L	L	L	L	L	L	L	L						W	W	
1	0116 0518A	BOLT & WASH AY	8	8	8	8	8	8	8	8	8	8	8	8	8	8	*	*	*	*	NA-AT			
	0116 0520A	BOLT&WASH AY	8	8	8	8	8	8	8	8	8	8	8	8	8	8	*	*	*	*	NA-MT&TURBO			
	0435 05146	SCREW	.	8	8	.	8	8	.	.	8	8	.	8	.	8	.	*	*	*	*			
	0435 05206	SCREW & WASH ASSY	8	8	.	.	.	*	*	*	*		
2	16605 AA020	HLDR-FUEL INJECT	4	4	4	4	4	4	4	4	4	4	4	4	4	4	4	4	*	*	*	*		
	16605 AA030	HLD-FUEL INJECT	.	4	4	.	4	4	.	.	4	4	.	4	.	4	.	.	*	*	*	*		
	16605 AA020	HLDR-FUEL INJECT	4	4	.	.	.	*	*	*	*		
3	16611 AA090	INJECTOR SUB ASSY	4	4	4	.	4	4	4	.	4	4	4	4	4	4	4	4	*	*	*	*	NA-AT	
	16611 AA120	INJECTOR SUB ASSY	4	4	4	.	4	4	4	.	4	4	4	4	4	4	.	4	4	*	*	*	*	NA-MT
	16611 AA140	INJECT SUB ASSY	.	4	4	.	4	4	.	.	4	4	.	4	.	4	.	.	*	*	*	*	-28	
	16611 AA141	INJECT SUB ASSY	.	4	4	.	4	4	.	.	4	4	.	4	.	4	.	4	.	*	*	*	*	29-
	16611 AA150	INJECTOR SUB ASSY	.	.	.	4	.	.	.	4	4	.	.	.	*	*	*	*		
4	16698 AA010	O RING-INJECTOR	4	4	4	.	4	4	4	.	4	4	4	4	4	4	4	4	*	*	*	*	NA-AT	
	16698 AA030	O RING-INJECTOR	4	4	4	4	4	4	4	4	4	4	4	4	4	.	4	4	*	*	*	*	NA-MT&TURBO	
	16698 AA030	O RING-INJECTOR	4	4	.	.	.	*	*	*	*		
	16698 AA050	O RING-INJECTOR	.	4	4	.	4	4	.	.	4	4	.	4	.	4	.	.	*	*	*	*		
5	16696 AA000	SPACER-INJECTOR	4	4	4	.	4	4	4	.	4	4	4	4	4	4	4	4	*	*	*	*	NA-AT	
6	16697 AA000	RING-INJECTOR	4	4	4	.	4	4	4	.	4	4	4	4	4	4	4	4	*	*	*	*	NA-AT	
7	16698 AA020	O RING-INJECTOR	4	4	4	.	4	4	4	.	4	4	4	4	4	4	4	4	*	*	*	*	NA-AT	
	16698 AA040	O RING-INJECTOR	4	4	4	4	4	4	4	4	4	4	4	4	4	.	4	4	*	*	*	*	NA-MT&TURBO	
	16698 AA040	O RING-INJECTOR	4	4	.	.	.	*	*	*	*		
	16698 AA060	O RING-INJECTOR	.	4	4	.	4	4	.	.	4	4	.	4	.	4	.	.	*	*	*	*		
8	17535 AA020	PIPE-FUEL LH	1	1	1	1	1	1	1	1	1	1	1	1	1	1	1	1	*	*	*	*		
	17535 AA080	PIPE-FUEL LH	.	1	1	.	1	1	.	.	1	1	.	1	.	1	.	.	*	*	*	*		
	17535 AA090	PIPE-FUEL LH	1	1	.	.	.	*	*	*	*		
9	16608 AA020	SEAL-FUEL INJECTOR	4	4	4	4	4	4	4	4	4	4	4	4	4	4	4	4	*	*	*	*		
10	16607 AA011	INSUL-FUEL INJECT	8	8	8	8	8	8	8	8	8	8	8	8	8	8	8	8	*	*	*	*	-08	
	16607 AA011	INSUL-FUEL INJECT	.	4	4	.	4	4	4	.	4	4	.	4	.	4	.	.	*	*	*	*	09-16	
	16607 AA060	INSUL-FUEL INJECT	.	4	4	.	4	4	4	.	4	4	.	4	4	.	4	.	.	*	*	*	*	17-28 E/#480765-
11	0104 0825G	FLANGE BOLT	4	4	4	4	4	4	4	4	4	4	4	4	4	4	4	4	*	*	*	*	-08	
	0104 0820G	FLANGE BOLT	.	4	4	.	4	4	4	.	4	4	.	4	4	.	4	.	*	*	*	*	09-	
12	17533 AA020	PIPE-FUEL RH	1	1	1	1	1	1	1	1	1	1	1	1	1	1	1	1	*	*	*	*		
	17533 AA090	PIPE-FUEL RH	.	1	1	.	1	1	.	.	1	1	.	1	.	1	.	.	*	*	*	*		
	17533 AA100	PIPE-FUEL RH	1	1	.	.	.	*	*	*	*		
13	22670 AA050	REG ASSY-PRESS	1	1	1	1	1	1	1	1	1	1	1	1	1	1	1	1	*	*	*	*		
14	0116 0512A	BOLT & WASH AY	2	2	2	.	2	2	2	.	2	2	2	2	2	2	2	2	*	*	*	*	NA-AT	
	0116 0514A	BOLT&WASH AY	2	2	2	2	2	2	2	2	2	2	2	2	2	.	2	2	*	*	*	*	-14 NA-MT&TURBO	
	0435 05146	SCREW & WASH ASSY	.	2	2	.	2	2	2	.	2	2	.	2	.	2	.	.	*	*	*	*	15-	
	0435 05146	SCREW & WASH ASSY	.	2	2	.	2	2	2	.	2	2	.	2	2	.	2	.	*	*	*	*		
15	16607 AA030	INSUL-FUEL INJECT	4	4	4	4	4	4	4	4	4	4	4	4	4	4	4	4	*	*	*	*	-0Z	
	16607 AA031	INSUL-FUEL INJECT	.	4	4	.	4	4	4	.	4	4	.	4	.	4	.	.	*	*	*	*	11-	
	16607 AA040	INSUL-FUEL INJECT	.	4	4	.	4	4	.	.	4	4	.	4	.	4	.	.	*	*	*	*		
	16607 AA031	INSUL-FUEL INJECT	4	4	.	.	.	*	*	*	*		
16	16699 AA000	O-RING	1	1	1	1	1	1	1	1	1	1	1	1	1	1	1	1	*	*	*	*		

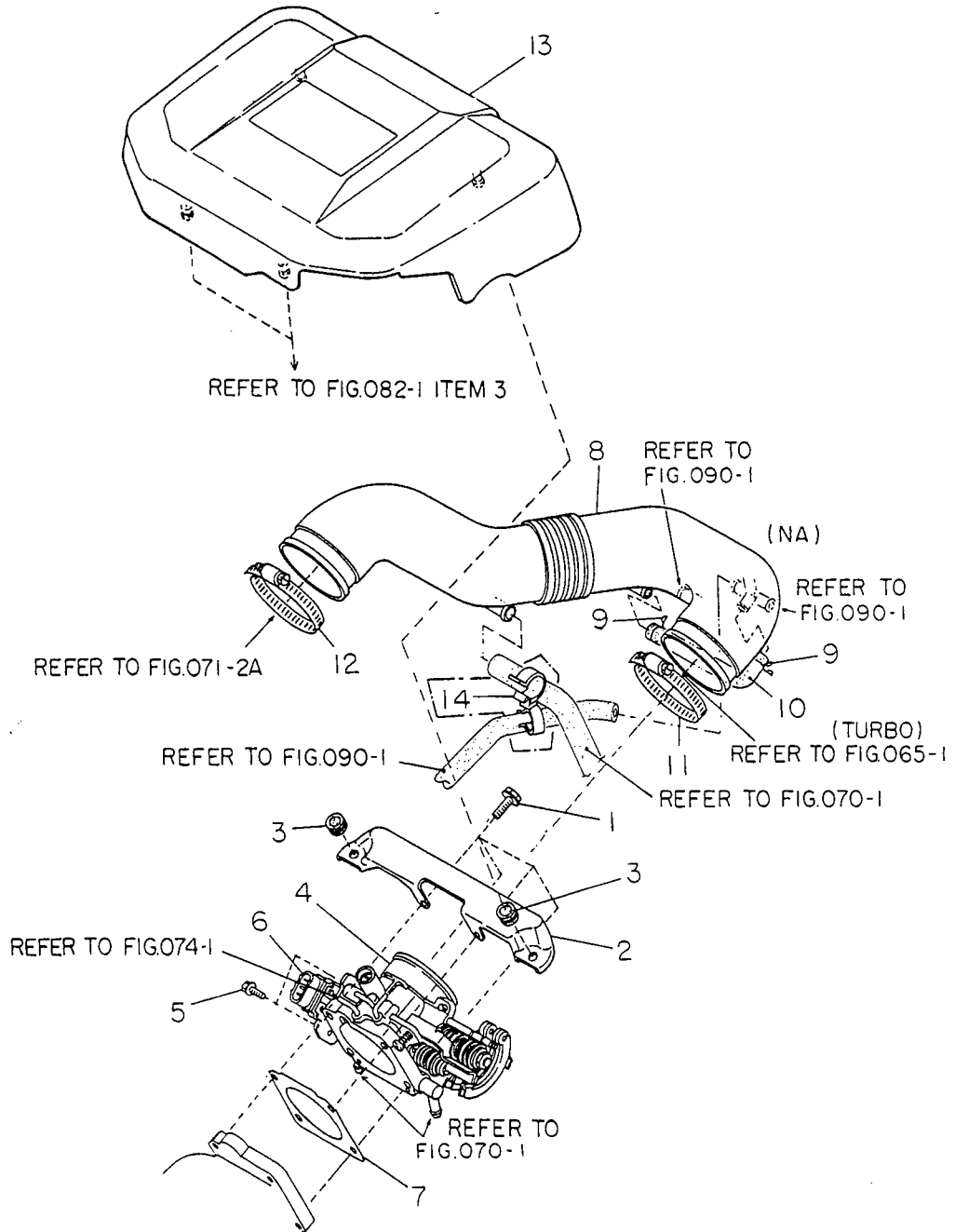


ITEM NO.	PART NUMBER	PART NAME	4D						SW						TW		M Y				REMARKS			
			2WD			4WD			2WD			4WD			2W	4W	9	9	9	9				
			L	L	L	L	L	L	L	L	L	L	L	L	L	L	0	1	2	3		4		
1	8007 06510	FLANGE BOLT	4	4	4	4	4	4	4	4	4	4	4	4	4	4	4	*	
	8007 06920	FLANGE BOLT	4	4	4	.	4	4	.	.	4	4	4	4	.	4	4	.	*	*	*	*	*	
2	22630 AA040	SEN ASSY-TEMP	1	1	1	1	.	1	1	1	1	.	1	1	1	1	1	1	*	*	*	*	*	-28
	22630 AA041	SEN ASSY-TEMP	.	1	1	.	.	1	1	.	.	.	1	1	.	1	1	.	.	.	*	*	*	29-
3	21203 AA030	GAUGE AY-THERMO	1	1	1	1	.	1	1	1	1	1	1	1	1	1	1	1	*	*	*	*	*	
4	14050 AA060	PIPE CP-WATER	1	1	1	1	.	1	1	1	1	1	1	1	1	1	1	1	*	*	*	.	.	-19
	14050 AA061	PIPE CP-WATER	.	1	1	.	.	1	1	.	.	1	1	.	1	1	.	1	.	.	*	*	*	1X-
5	8069 33010	O RING-33.7X3.5	2	2	2	2	.	2	2	2	2	2	2	2	2	2	2	2	*	*	*	*	*	
6	8059 14140	HOSE CLP-14	2	2	2	2	.	2	2	2	2	2	2	2	2	2	2	2	*	*	*	*	*	-34
	0923 13102	HOSE CLP-14	.	2	2	.	.	2	2	.	.	2	2	.	2	2	.	2	.	.	.	*	*	35-
7	8076 07362	HOSE-7.5X14	1	1	1	1	.	1	1	1	1	1	1	1	1	1	1	1	*	*	.	.	.	-07
	8076 07121	HOSE-7.5X14	.	1	1	.	.	1	1	.	.	1	1	.	1	1	.	.	.	*	*	.	.	08-18
	8076 07191	HOSE-7.5X14	.	1	1	.	.	1	1	.	.	1	1	.	1	1	.	1	.	.	*	*	*	19-3Y
	8076 07190	HOSE-7.5X14	.	1	1	.	.	1	1	.	.	1	1	.	1	1	.	1	.	.	*	.	*	3Z-

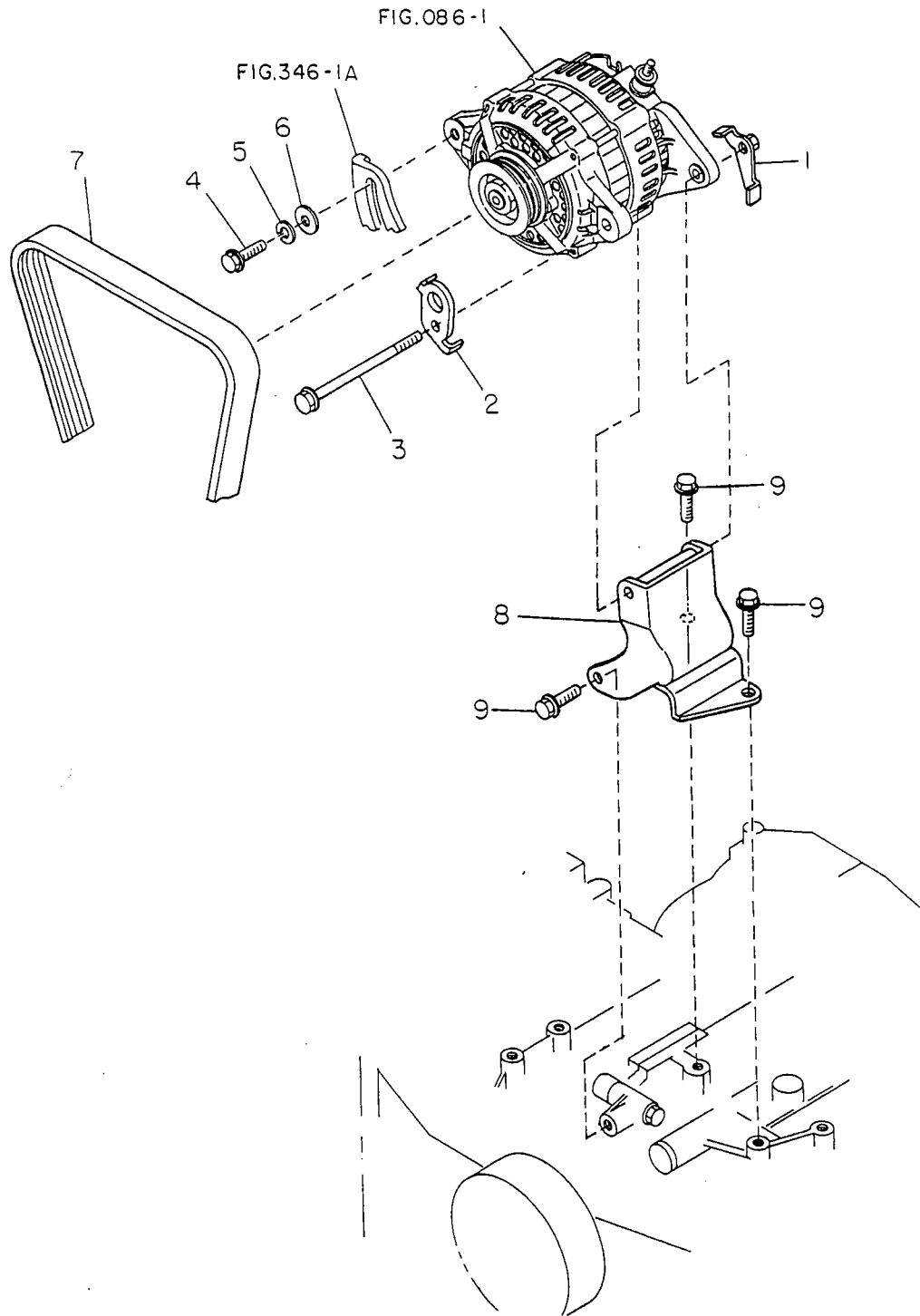
ENG, COOLING SYSTEM; TURBO



THROTTLE BODY & AIR DUCT



ALTERNATOR BRACKET & V BELT



ITEM NO.	PART NUMBER	PART NAME	4D						SW						TW		M Y				REMARKS							
			2WD			4WD			2WD			4WD			2	4	9	9	9	9								
			L	L	T	L	L	T	L	L	T	L	L	T	L	L						0	1	2	3	4		
1	11717 AA030	PLATE-ALTNTR	1	1	1	1	1	1	1	1	1	1	1	1	1	1	1	1	1	1	1	*	*	*	*	*	*	
2	10005 AA031	HANGER-ENG FR	1	1	1	1	1	1	1	1	1	1	1	1	1	1	1	1	1	1	1	1	*	*	*	*	*	*
3	8007 08100	BOLT-8X128.5X20	1	1	1	.	.	1	1	1	.	1	1	1	1	1	.	.	1	1	1	*	-97	
	8007 08380	BOLT-8X130.5X20	1	1	1	1	1	1	1	1	1	1	1	1	1	1	1	1	1	1	1	1	*	*	*	*	98-	
4	0167 0845A	BOLT	1	1	1	1	1	1	1	1	1	1	1	1	1	1	1	1	1	1	1	1	*	*	*	*	*	
5	0320 08006	SPRING WASHER	1	1	1	1	1	1	1	1	1	1	1	1	1	1	1	1	1	1	1	1	*	*	*	*	*	
6	8030 08190	WASHER-8.5X19X2	1	1	1	1	1	1	1	1	1	1	1	1	1	1	1	1	1	1	1	1	*	*	*	*	*	
7	8092 18140	V BELT-18X6X877	1	1	1	1	1	1	1	1	1	1	1	1	1	1	1	1	1	1	1	1	*	*	*	*	*	
8	11711 AA020	BRKT COMPL-ALTNTR	1	1	.	.	.	1	.	1	.	1	.	1	.	1	.	1	1	1	1	1	*	*	*	*	-26 EXC.A/C	
	11711 AA051	BRKT COMPL-ALTNTR	.	1	.	.	.	1	.	.	.	1	.	1	.	.	1	1	.	.	.	*	27- EXC.A/C	
9	0104 1022A	FLANGE BOLT	3	3	.	.	3	.	3	.	3	.	3	.	3	.	3	3	3	3	3	3	*	*	.	.	-11 EXC.A/C	
	0104 10200	FLANGE BOLT	.	3	.	.	3	3	.	3	.	.	3	3	.	.	*	*	12- EXC.A/C	

SPARK PLUG & HIGH TENSION CORD

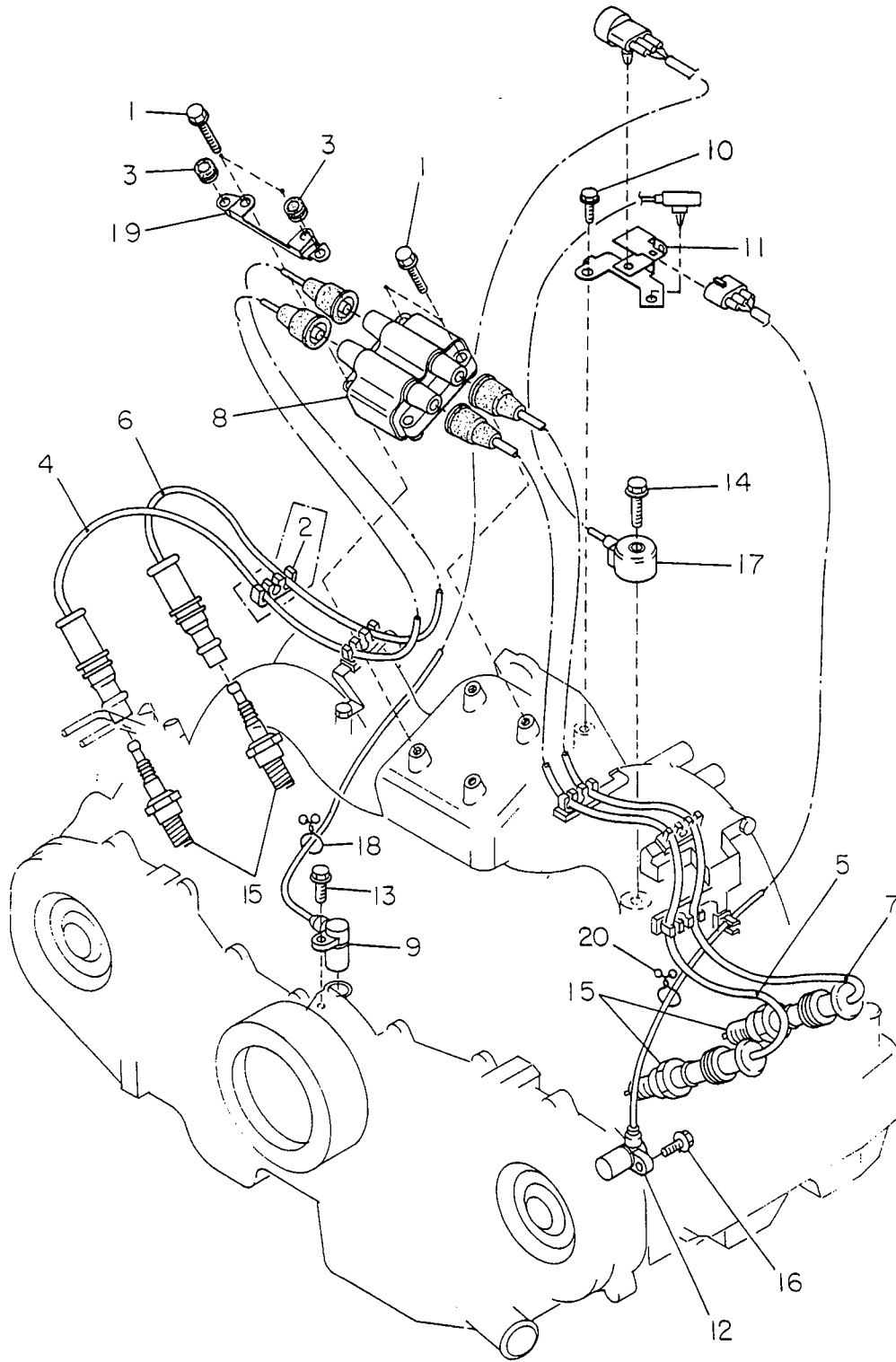


Fig No.
084-1

WIRING HARNESS-ENGINE; NA

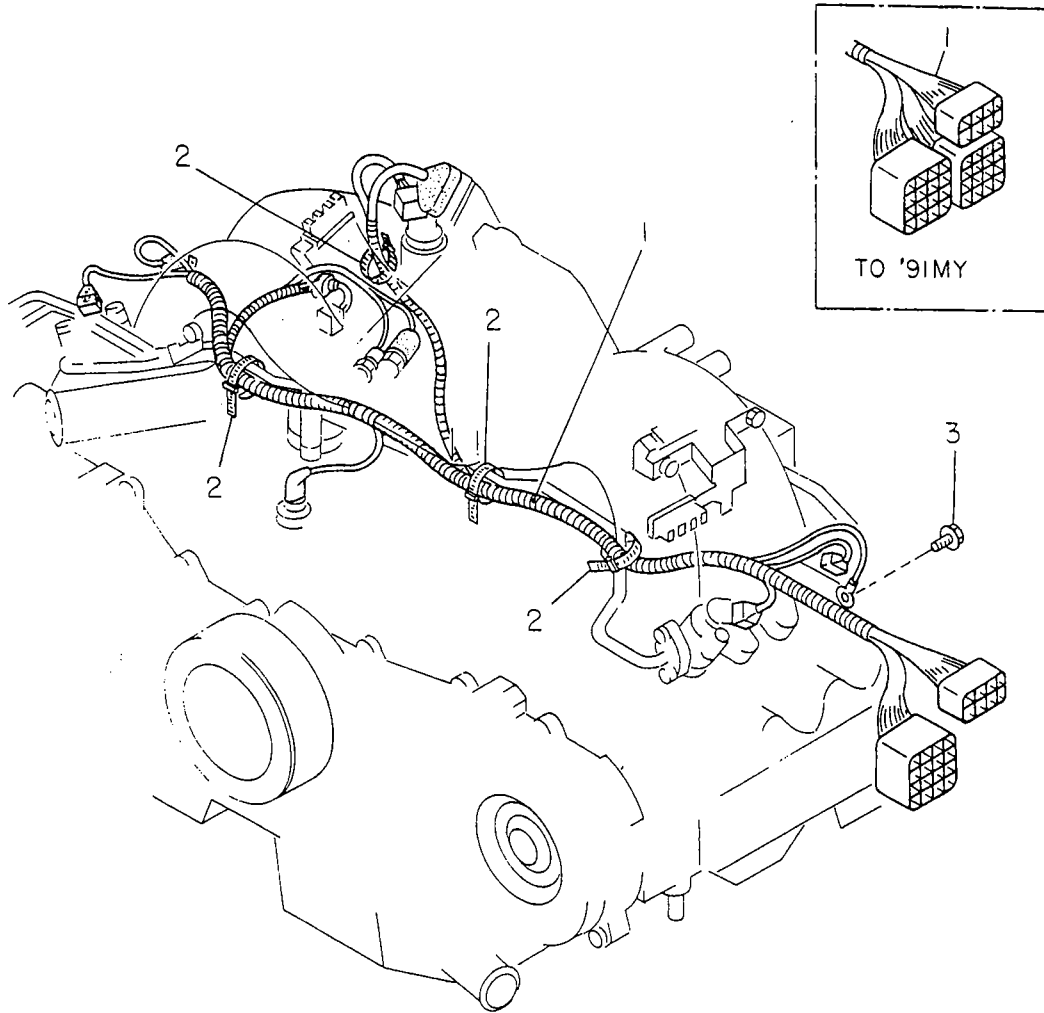


Fig No.
084-2

WIRING HARNESS-ENGINE; TURBO

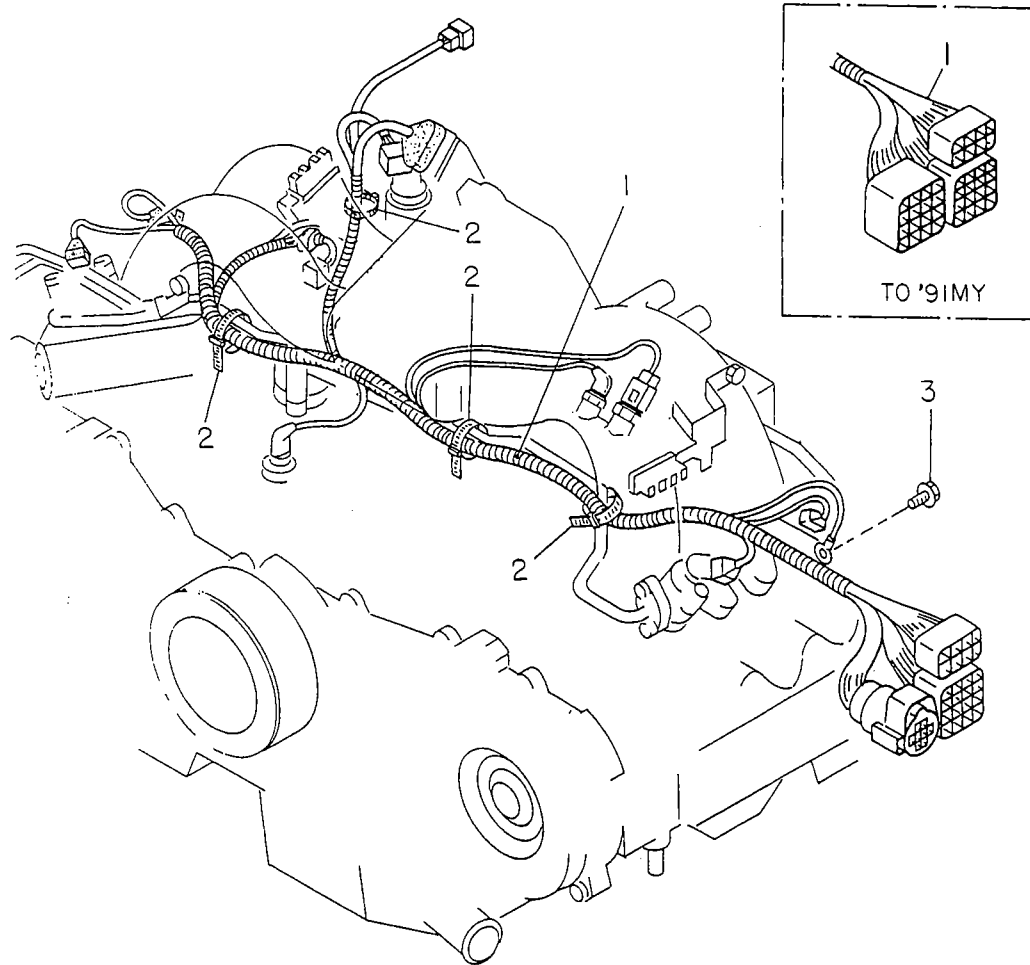
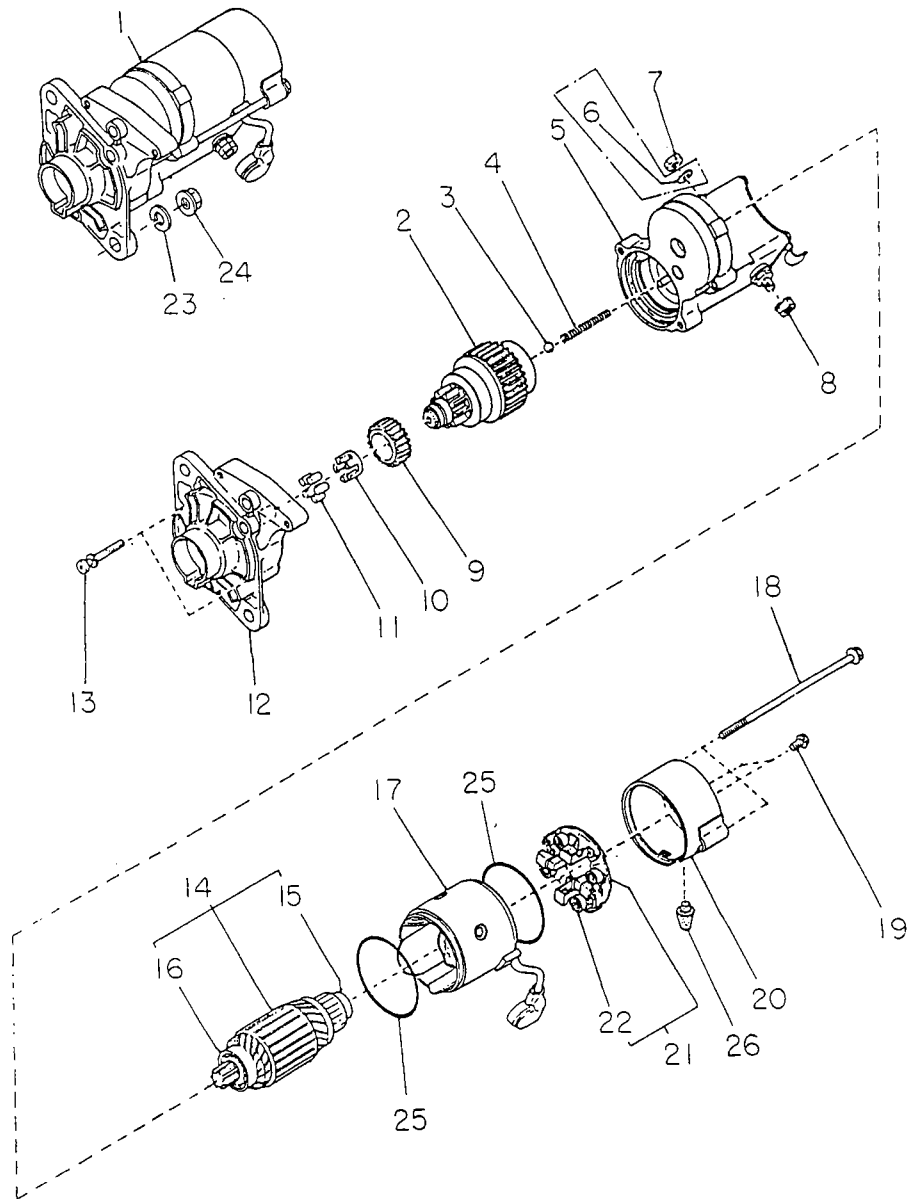
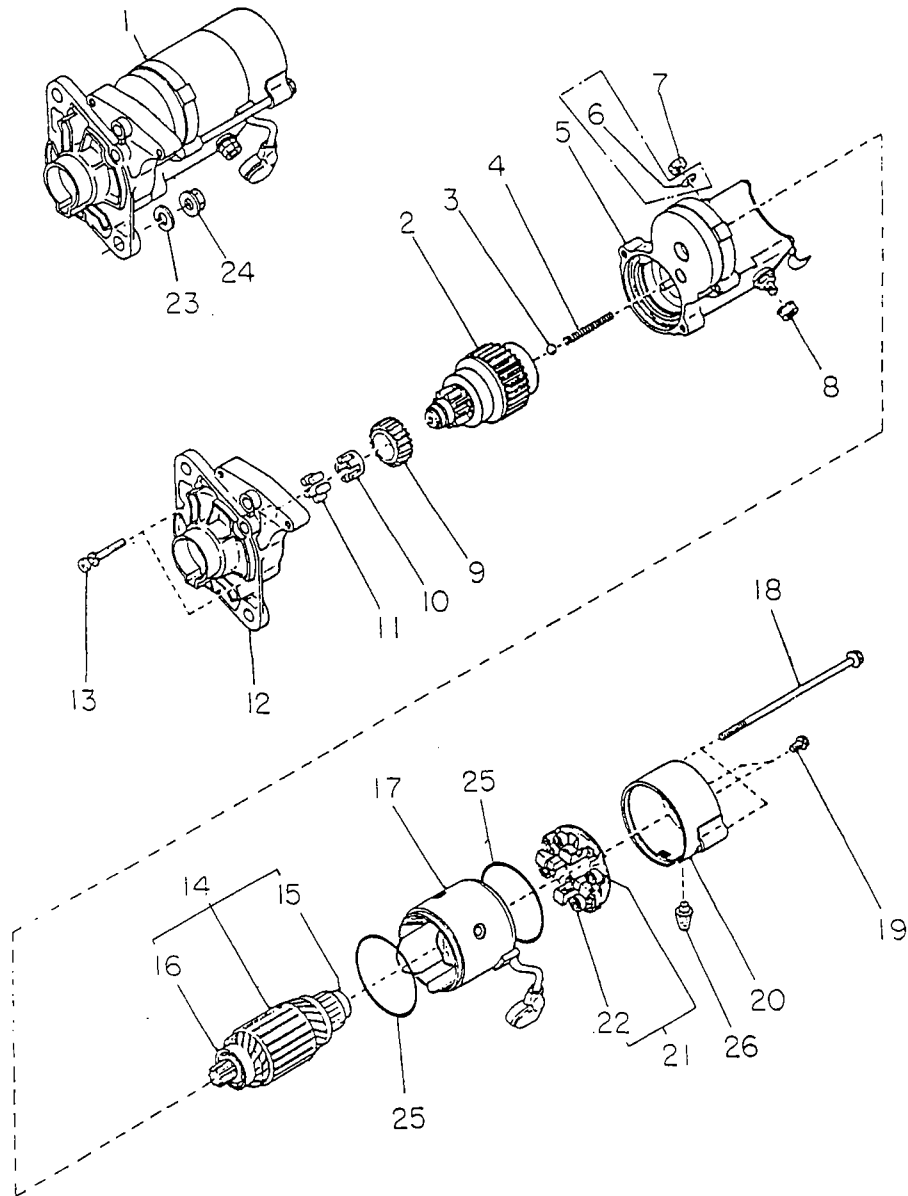


Fig No.
085-1

STARTER (1) MT (1.0KW)



STARTER (1) MT (1.0KW)



ITEM NO.	PART NUMBER	PART NAME	4D						SW						TW		M Y				REMARKS									
			2WD			4WD			2WD			4WD			2W	4W	90	91	92	93		94								
			L	L	TURBO	L	L	TURBO	L	L	TURBO	L	L	TURBO	L	L														
25	49271 7502	O RING	.	2	2	.	.	2	2	.	2	.	2	2	.	2	.	2	2	*	*	*	*	*	03-
26	23376 AA000	COVER	.	1	1	.	.	1	1	.	1	.	1	1	.	1	.	1	2	*	*	*	*	*	03-

Fig No.
085-2

STARTER (2) AT (1.4KW)

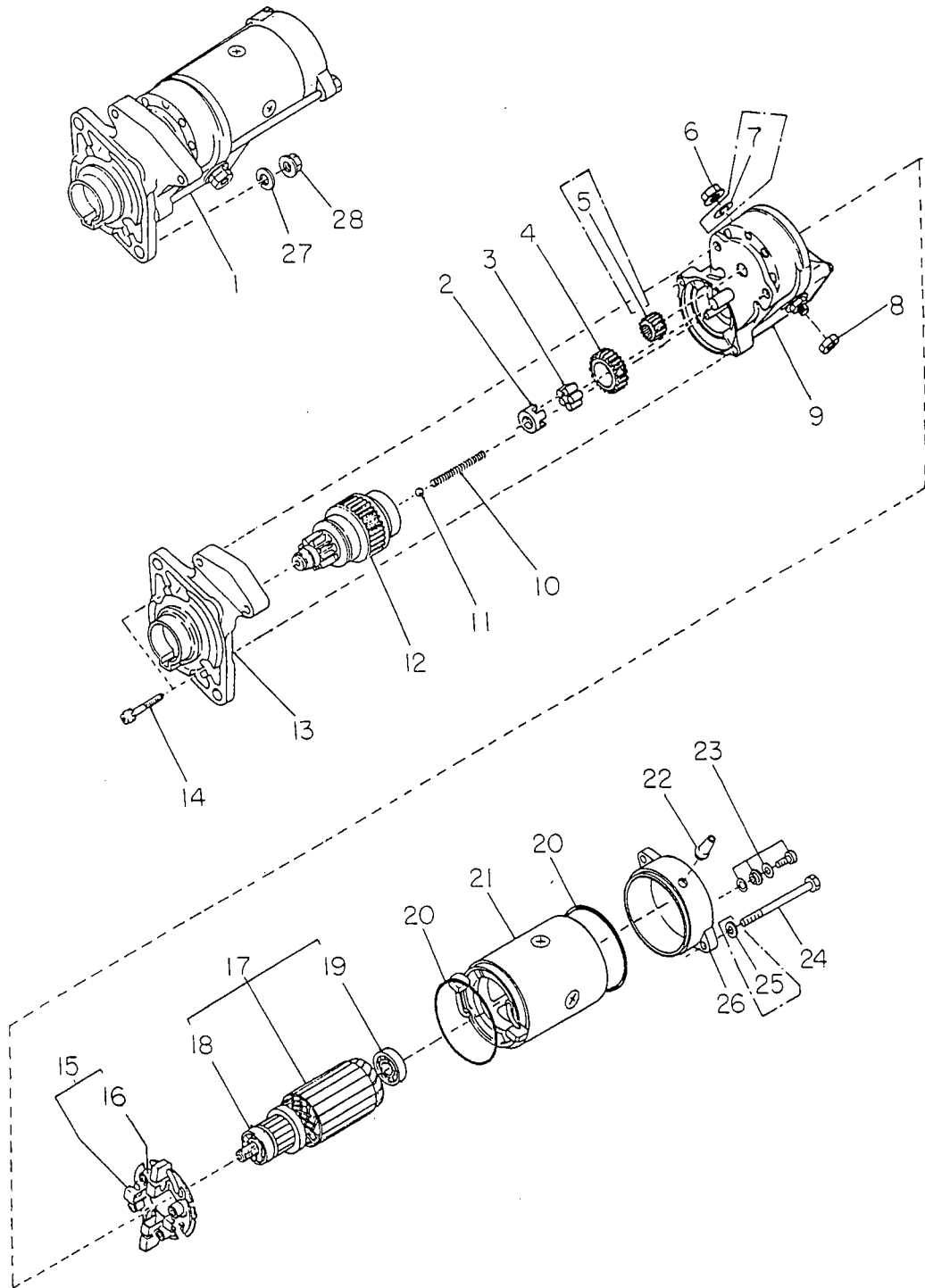
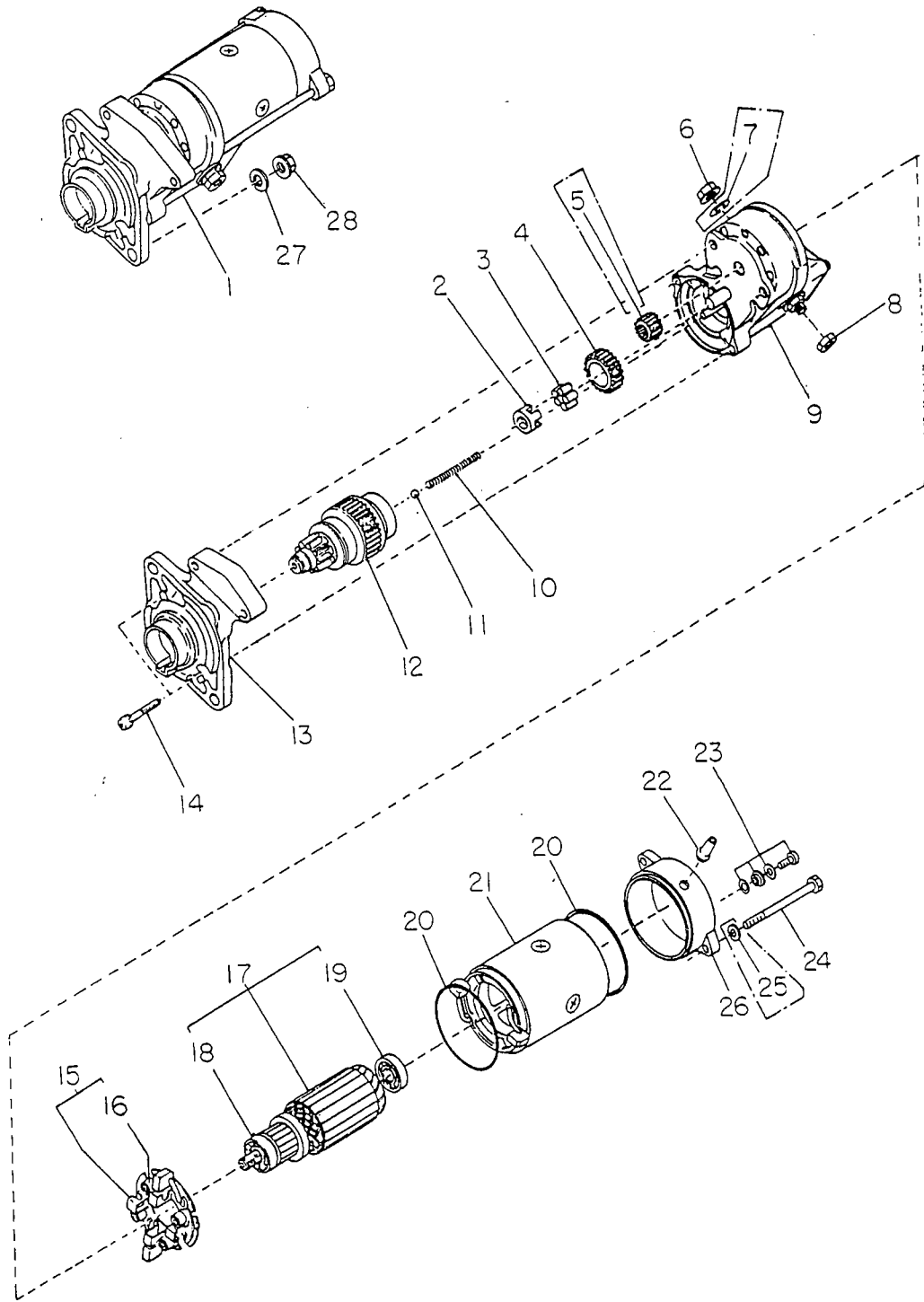


Fig No.
085-2

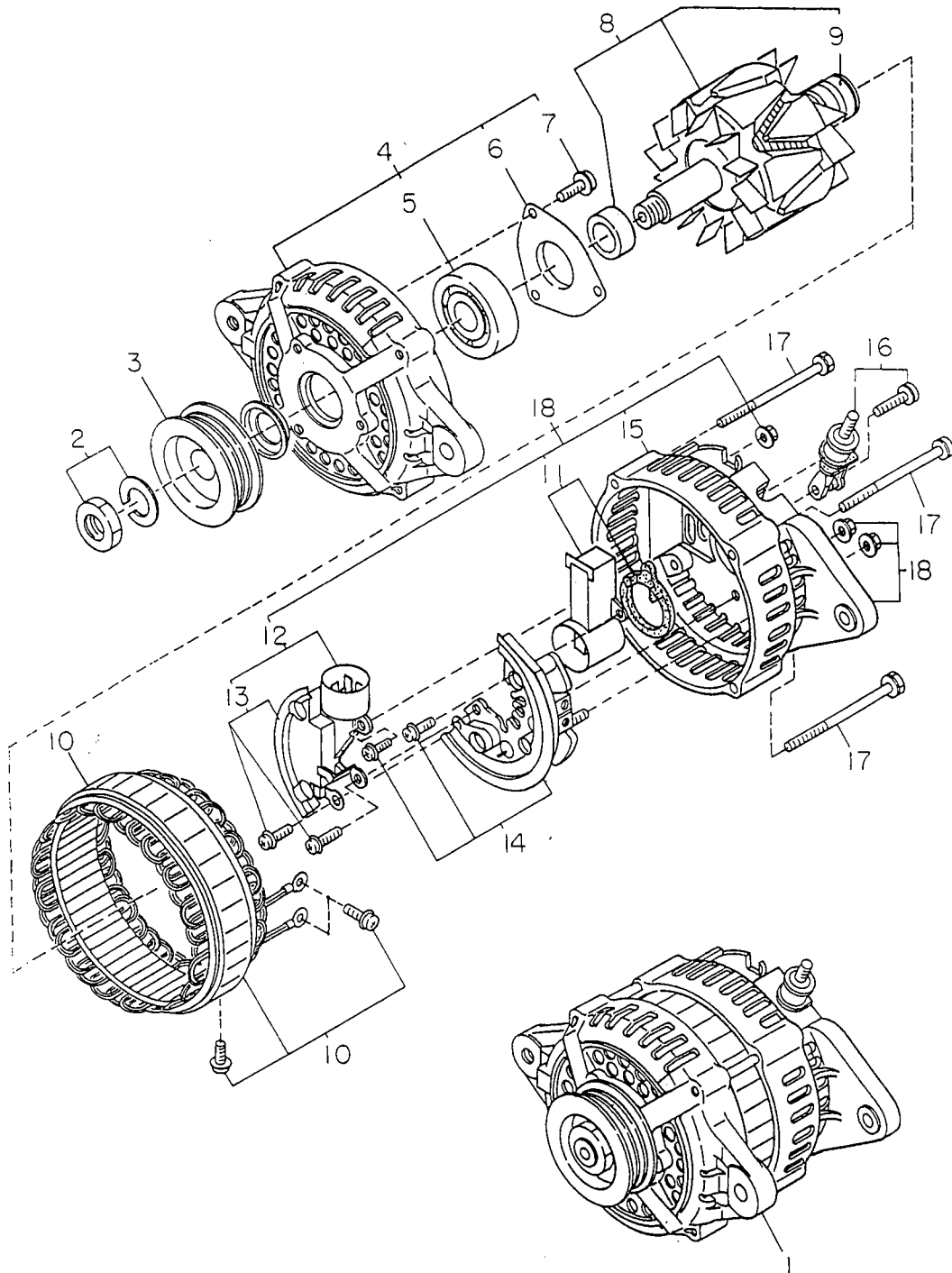
STARTER (2) AT (1.4KW)



ITEM NO.	PART NUMBER	PART NAME	4D						SW						TW		M Y				REMARKS																
			2WD			4WD			2WD			4WD			2	4	9	9	9	9																	
			L	L	L	L	L	L	L	L	L	L	L	L	L	L																					
26	23337 AA040	FRM CP-COMMTATR	.	1	1	.	1	1	1	.	1	.	1	1	1	.	1	.	1	.	1	.	*	*	*	*	*	02-									
27	0310 10006	WASHER	1	1	1	1	1	1	1	1	1	1	1	1	1	1	1	1	1	1	1	1	1	1	1	1	1	*	*	*	*	*					
28	8020 10110	NUT-10X8	1	1	1	1	1	1	1	1	1	1	1	1	1	1	1	1	1	1	1	1	1	1	1	1	1	1	1	1	1	1	*	*	*	*	*

Fig No.
086-1

ALTERNATOR

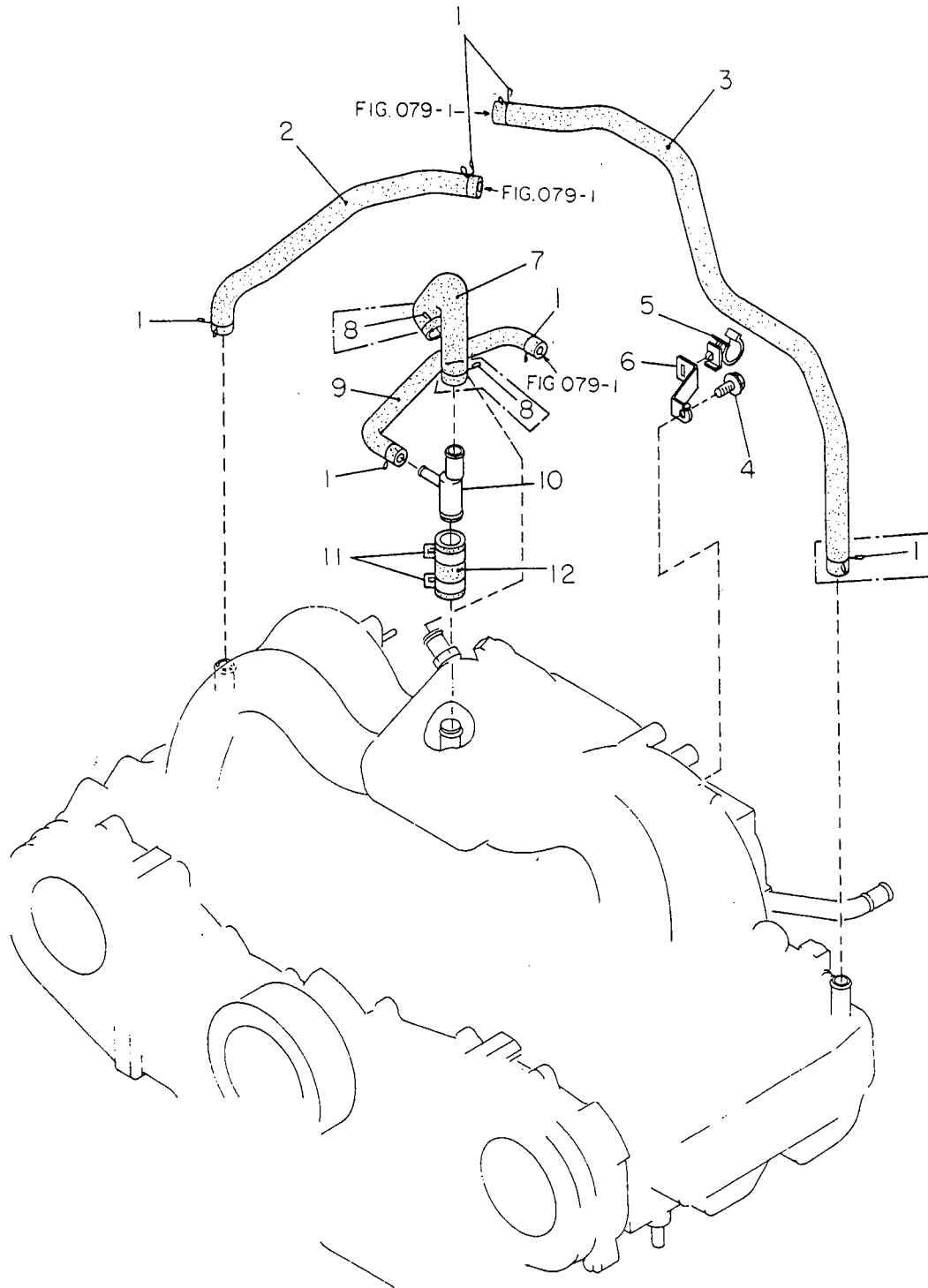


ITEM NO.	PART NUMBER	PART NAME	4D									SW									TW		M Y				REMARKS	
			2WD			4WD			2WD			4WD			2W	4W	9	9	9	9								
			L	S	D	L	S	D	L	S	D	L	S	D	L	S					D	L	L					
1	23700 AA090	ALTERNATOR	1	1	1	1	1	1	1	1	1	1	1	1	1	1	1	1	1	1	1	1	*	*	*	*	*	*
2	23755 AA000	NUT AY-PULLY	1	1	1	1	1	1	1	1	1	1	1	1	1	1	1	1	1	1	1	1	*	*	*	*	*	*
3	23752 AA010	PULLEY-ALTNTR	1	1	1	1	1	1	1	1	1	1	1	1	1	1	1	1	1	1	1	1	*	*	*	*	*	*
4	23718 AA030	CVR AY-ALTNTR,F	1	1	1	1	1	1	1	1	1	1	1	1	1	1	1	1	1	1	1	1	*	*	*	*	*	*
5	23721 AA050	BRG-ALTNTR	1	1	1	1	1	1	1	1	1	1	1	1	1	1	1	1	1	1	1	1	*	*	*	*	*	*
6	23723 AA000	RET-BRG,ALTNTR	1	1	1	1	1	1	1	1	1	1	1	1	1	1	1	1	1	1	1	1	*	*	*	*	*	*
7	23760 AA000	SCR SET-ALTNTR	1	1	1	1	1	1	1	1	1	1	1	1	1	1	1	1	1	1	1	1	*	*	*	*	*	*
8	23708 AA070	ROTOR AY-ALTNTR	1	1	1	1	1	1	1	1	1	1	1	1	1	1	1	1	1	1	1	1	*	*	*	*	*	*
9	23721 AA010	BRG-ALTNTR	1	1	1	1	1	1	1	1	1	1	1	1	1	1	1	1	1	1	1	1	*	*	*	*	*	*
10	23712 AA050	STATOR AY-ALTNT	1	1	1	1	1	1	1	1	1	1	1	1	1	1	1	1	1	1	1	1	*	*	*	*	*	*
11	23733 AA020	HLDR AY-BR,ALTN	1	1	1	1	1	1	1	1	1	1	1	1	1	1	1	1	1	1	1	1	*	*	*	*	*	*
12	23815 AA010	REG-ALTNTR	1	1	1	1	1	1	1	1	1	1	1	1	1	1	1	1	1	1	1	1	*	*	*	*	*	*
13	23818 AA010	REGULATOR	1	1	1	1	1	1	1	1	1	1	1	1	1	1	1	1	1	1	1	1	*	*	*	*	*	*
14	23830 AA040	DIODE AY-ALTNTR	1	1	1	1	1	1	1	1	1	1	1	1	1	1	1	1	1	1	1	1	*	*	*	*	*	*
15	23730 AA030	CVT-ALTNTR,RR	1	1	1	1	1	1	1	1	1	1	1	1	1	1	1	1	1	1	1	1	*	*	*	*	*	*
16	23798 AA000	BUSH-ALTNTR	1	1	1	1	1	1	1	1	1	1	1	1	1	1	1	1	1	1	1	1	*	*	*	*	*	*
17	23768 AA000	BOLT-THRO,ALTN	4	4	4	4	4	4	4	4	4	4	4	4	4	4	4	4	4	4	4	4	*	*	*	*	*	*
	23768 AA010	BOLT-THRO,ALTN	.	4	4	.	4	4	4	.	4	4	.	4	4	.	4	4	.	4	4	.	*	*	*	*	*	*
18	23727 AA060	CVT AY-ALTNTR	1	1	1	1	1	1	1	1	1	1	1	1	1	1	1	1	1	1	1	1	*	*	*	*	*	*

-05
06-

Fig No.
090-1

HOSE & CLAMP (P.C.V); NA



ITEM NO.	PART NUMBER	PART NAME	4D						SW						TW		M Y					REMARKS	
			2WD			4WD			2WD			4WD			2	4	9	9	9	9			
			L	L	L	L	L	L	L	L	L	L	L	L	L	L							
1	8059 19080	HOSE CLP-19	6	6	6	6	6	6	6	6	6	6	6	6	6	6	*	*	*	*	*	*	-0X
	8059 19080	HOSE CLP-19	.	5	5	.	5	5	.	5	5	.	5	5	.	5	.	*	*	*	*	*	0Y- E/#307558-
2	8075 12592	HOSE-12X19	1	1	1	.	1	1	1	.	1	1	1	1	1	1	*	*	*	*	*	-9Z	
	8075 12792	HOSE-12X19	1	1	1	.	1	1	1	.	1	1	1	1	1	1	*	*	*	*	*	01-	
3	8075 12602	HOSE-12X19	1	1	1	.	1	1	1	.	1	1	1	1	1	1	*	*	*	*	*		
4	0104 0816G	FLANGE BOLT	1	1	1	.	1	1	1	.	1	1	1	1	1	1	*	*	*	*	*	-99	
	0104 0816A	FLANGE BOLT	1	1	1	.	1	1	1	.	1	1	1	1	1	1	*	*	*	*	*	9X-	
5	24234 AA100	CLIP-NO.5	1	1	1	.	1	1	1	.	1	1	1	1	1	1	*	*	*	*	*		
6	11840 AA010	STAY-PCV HOSE	1	1	1	.	1	1	1	.	1	1	1	1	1	1	*	*	*	*	*		
7	8075 15842	HOSE-15X22	1	1	1	.	1	1	1	.	1	1	1	1	1	1	*	*	*	*	*		
8	8059 22077	HOSE CLP-22	2	2	2	.	2	2	2	.	2	2	2	2	2	2	*	*	*	*	*	-0X -E/#308673	
9	8075 12612	HOSE-12X19	1	1	1	.	1	1	1	.	1	1	1	1	1	1	*	*	*	*	*		
10	11821 AA221	CONN-PCV	1	1	1	.	1	1	1	.	1	1	1	1	1	1	*	*	*	*	*		
11	8059 26040	HOSE CLP-26	2	2	2	.	2	2	2	.	2	2	2	2	2	2	*	*	*	*	*		
12	8075 19082	HOSE-19X27	1	1	1	.	1	1	1	.	1	1	1	1	1	1	*	*	*	*	*		

ITEM NO.	PART NUMBER	PART NAME	4D						SW						TW		M Y					REMARKS						
			2WD			4WD			2WD			4WD			2	4	9	9	9	9	9							
			L	L	T	L	L	T	L	L	T	L	L	T	L	L												
			S	S	UR	S	S	UR	S	S	UR	S	S	UR	W	W												
1	11821 AA320	CONN-PCV	.	.	1	.	.	1	1
2	8075 12181	HOSE-12X19X35X35	.	.	1	.	.	1	1
3	8074 15102	HOSE-15X22	.	.	1	.	.	1	1
4	8075 19082	HOSE-19X27X50	.	.	1	.	.	1	1
5	8059 19080	HOSE CLP-19	.	.	C	.	.	C	C
6	8059 22070	HOSE CLP-22	.	.	2	.	.	2	2
7	8059 26040	HOSE CLP-26	.	.	2	.	.	2	2
8	8075 12952	HOSE-12X19	.	.	1	.	.	1	1
9	8075 12962	HOSE-12X19	.	.	1	.	.	1	1
10	8075 12992	HOSE-12X19	.	.	1	.	.	1	1
11	8075 12972	HOSE-12X19	.	.	1	.	.	1	1
12	11821 AA340	CONN-PCV	.	.	1	.	.	1	1
13	11821 AA330	CONN-PCV	.	.	1	.	.	1	1
14	11821 AA350	CONN-PCV	.	.	1	.	.	1	1
15	8075 12982	HOSE-12X19	.	.	1	.	.	1	1

EMISSION CONT SYSTEM; TURBO

